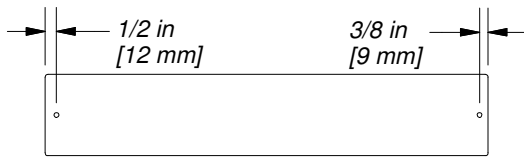


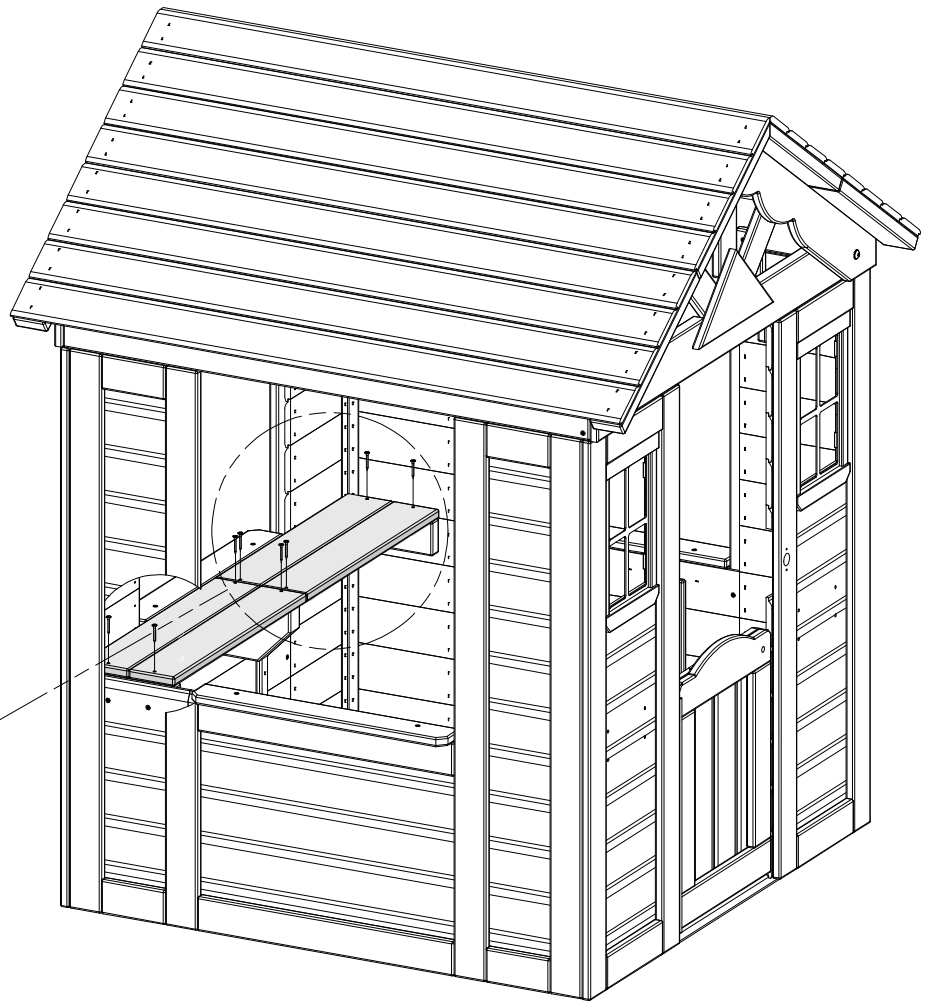
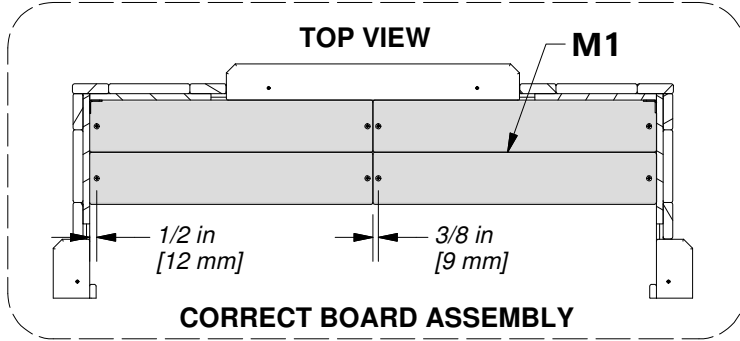
STEP 18



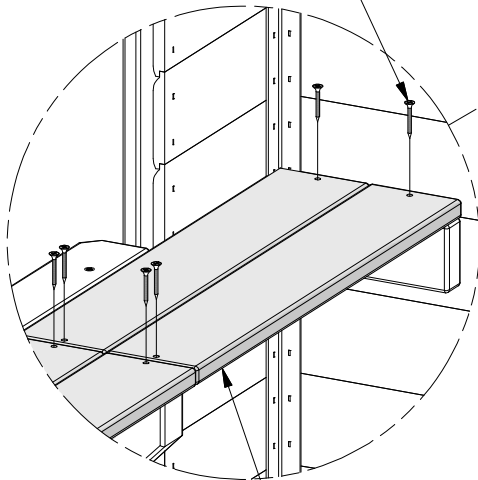
M1 COUNTER TOP - W4L17071
(x4) 5/8"x3 3/8"x18 1/2" (16x86x469)



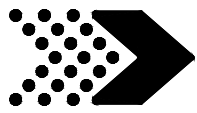
H100087 SCREW PFH
(x8) 8x1 1/4



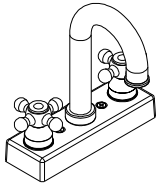
087 (x8)
SCREW - 1-1/4"



M1 (x4)
COUNTER TOP



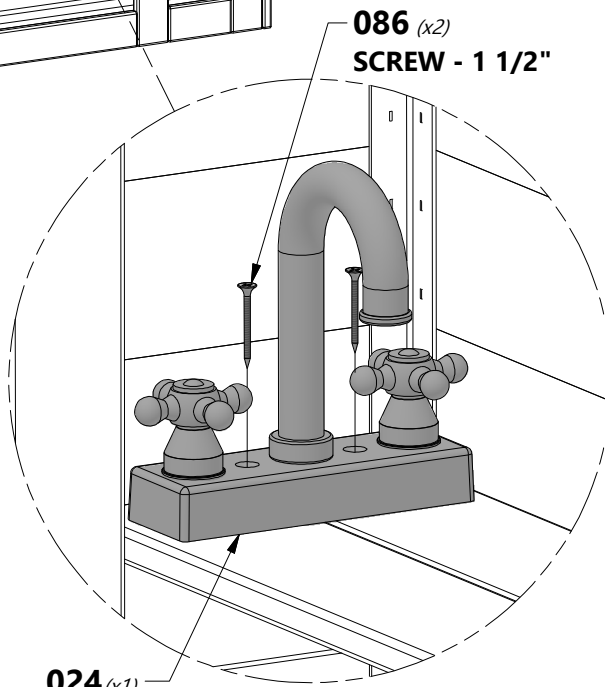
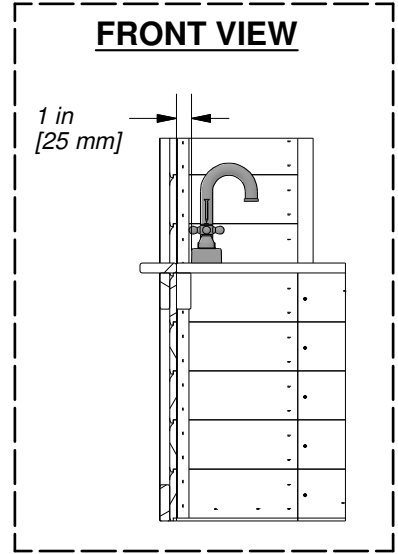
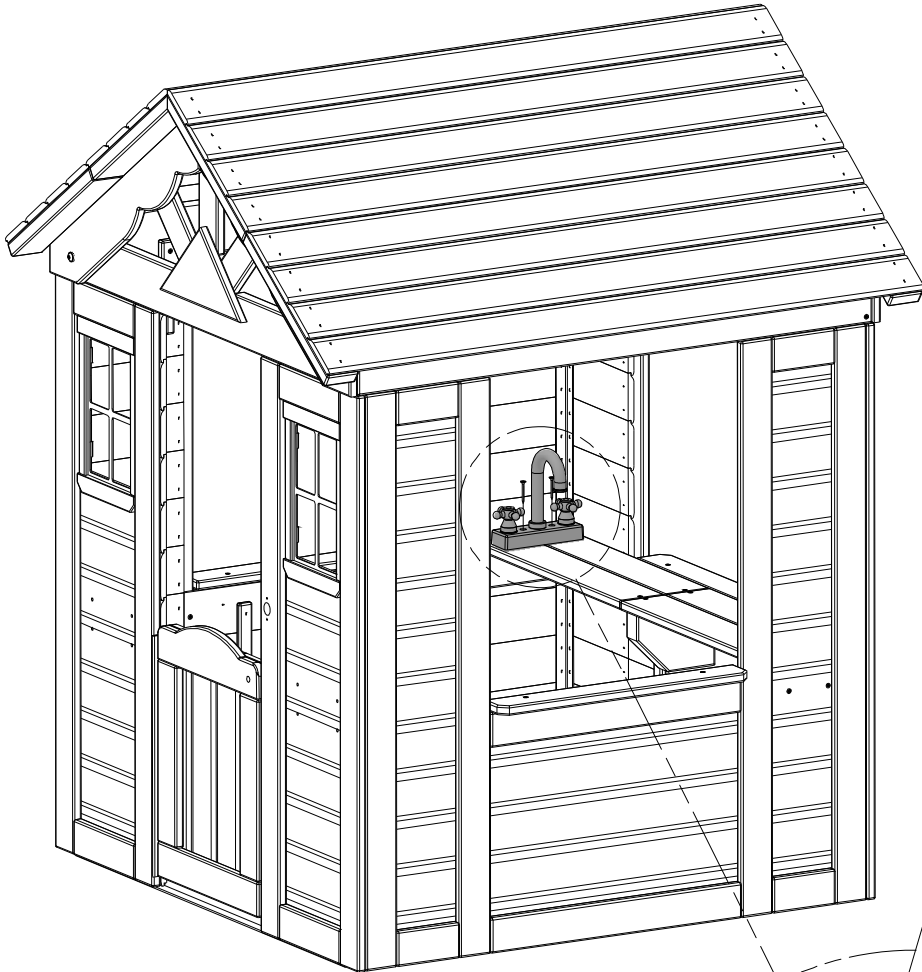
STEP 19



A6P00024
(x1) | **FAUCET KIT**

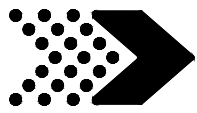


H100086 | **SCREW PFH**
(x2) | **8x1 1/2**

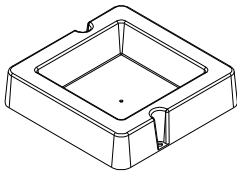


086 (x2)
SCREW - 1 1/2"

024 (x1)
FAUCET KIT



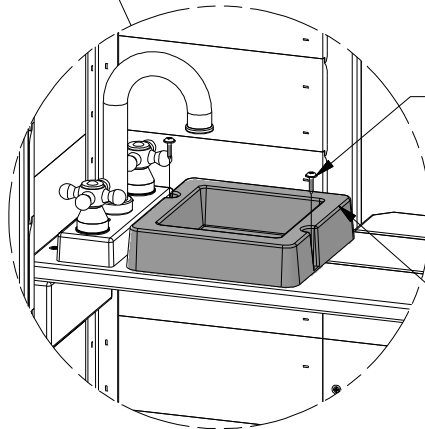
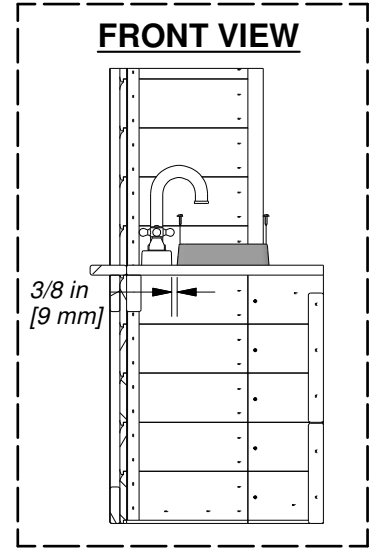
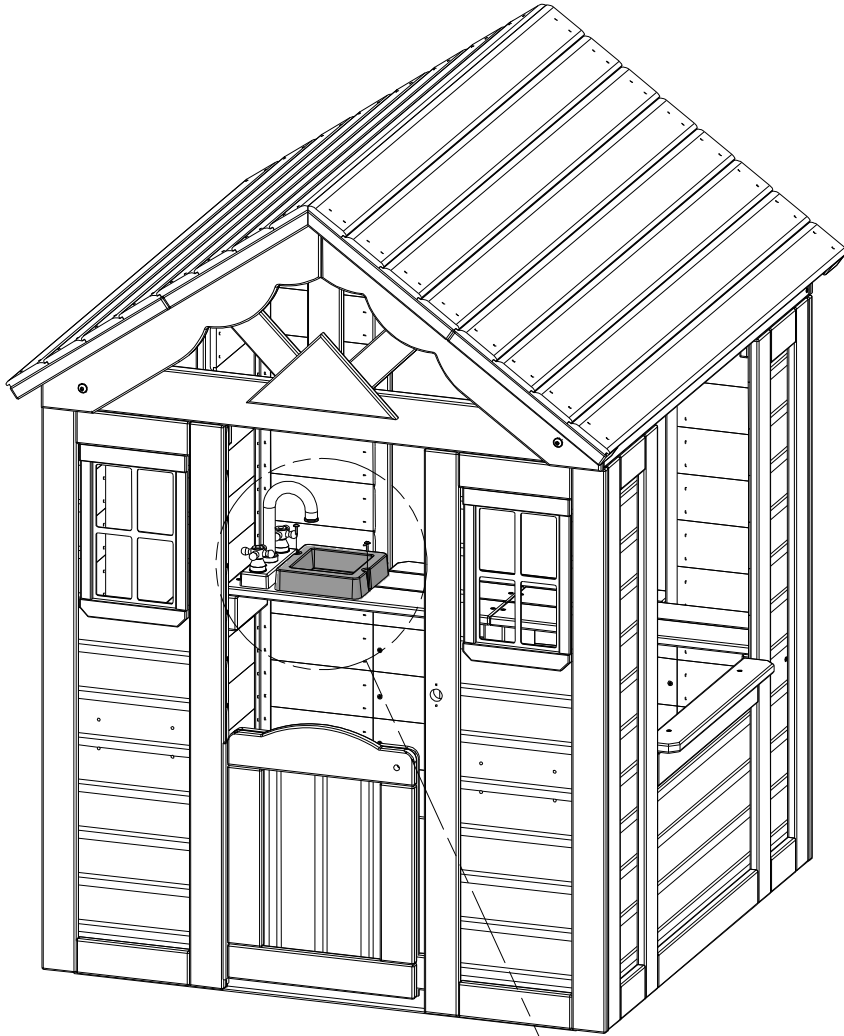
STEP 20



A6P00032 | SURFACE MOUNT BASIN
(x1)

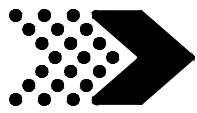


H100128 | SCREW PWH
(x2) 8x5/8

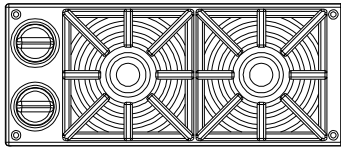


128 *(x2)*
SCREW - 5/8

032 *(x1)*
SURFACE MOUNT BASIN



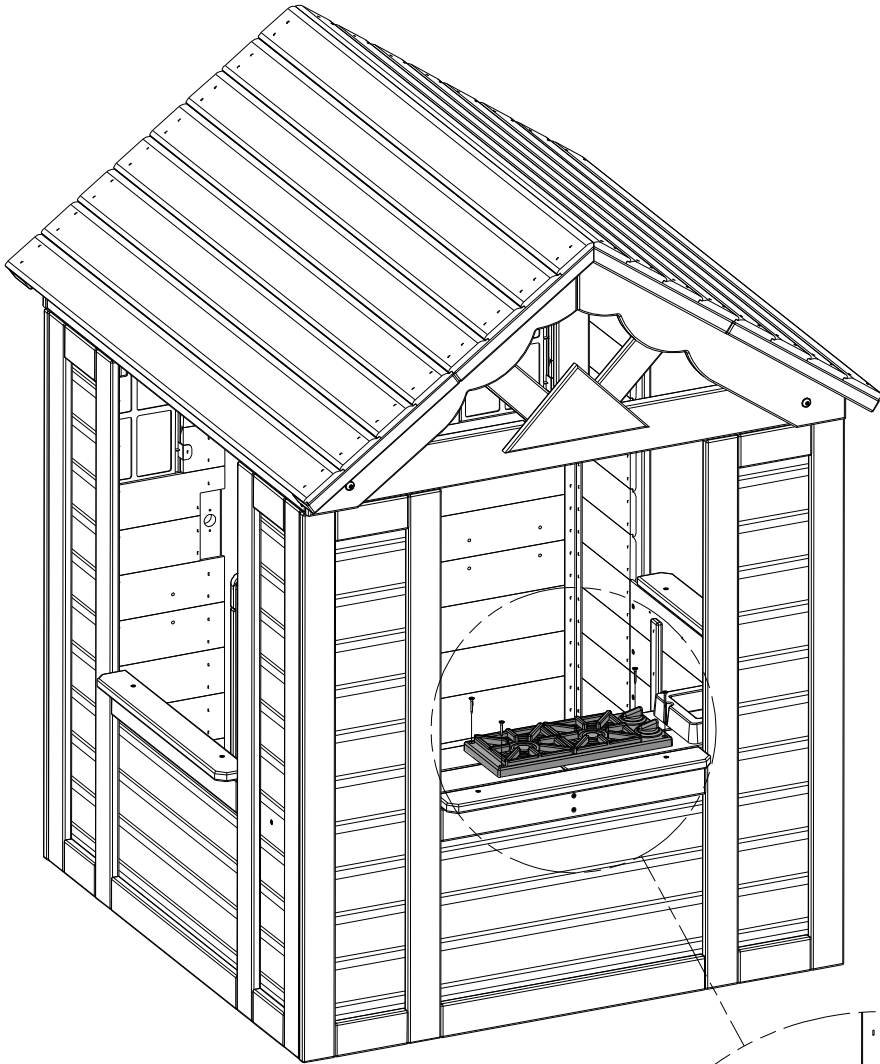
STEP 21



A6P00025 | STOVE KIT
(x1)



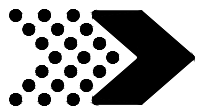
H100088 | SCREW PFH
(x4) | 8x1 1/8



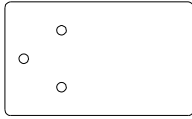
088 (x4)
SCREW - 1 1/8"

025 (x1)
STOVE KIT

1 1/8 in
[29 mm]



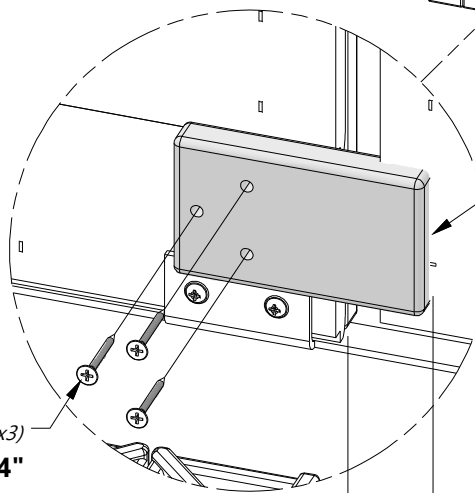
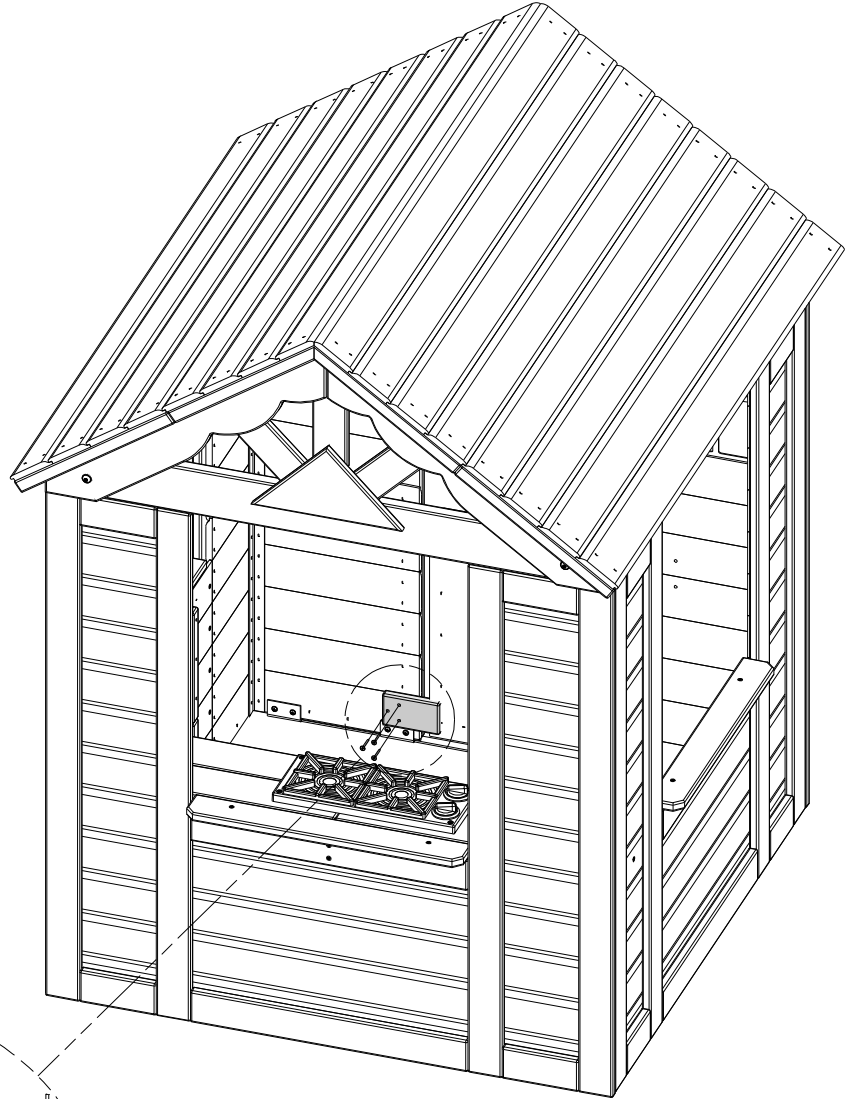
STEP 22



N3 | DOOR STOP - W4L17074
(x1) | 5/8"x2 3/8"x3 7/8" (16x60x100)



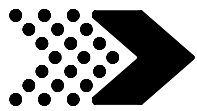
H100087 | SCREW PFH
(x3) | 8x1 1/4



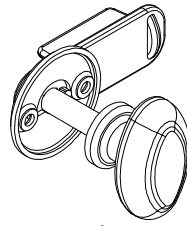
087 (x3)
SCREW - 1-1/4"

N3 (x1)
DOOR STOP

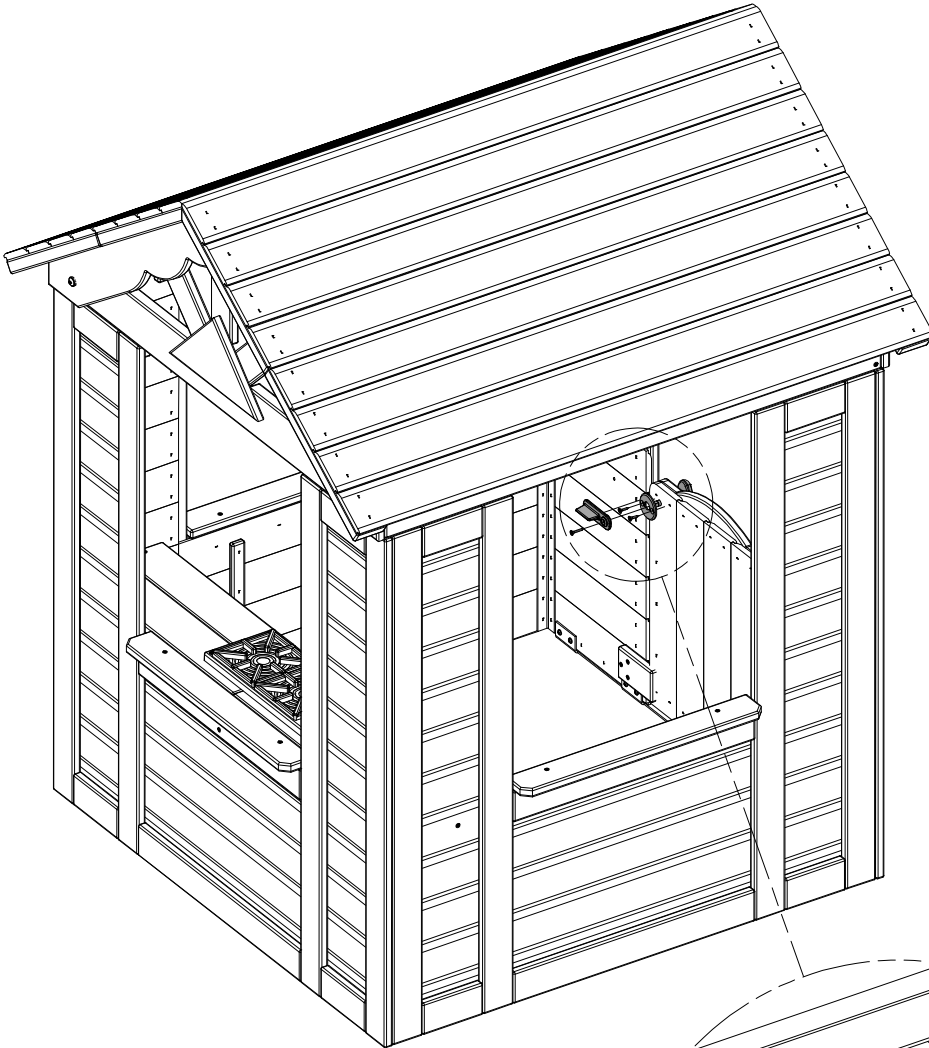

1 5/8 in
[40 mm]



STEP 23



A6P00020
(x1) | **KNOB KIT**



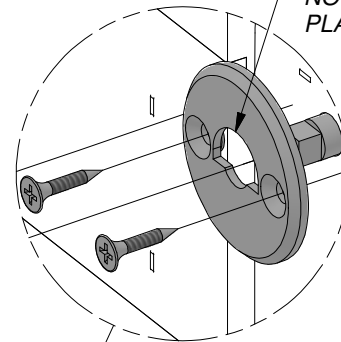
TIP:
WHEN DOOR LATCH IS IN THE UNLOCKED POSITION IT SHOULD FACE IN THE UPWARD DIRECTION.



NOTE:
ALIGN FACE PLATE AS SHOWN BELOW THEN PRE-DRILL PILOT HOLES USING AN 1/8" [3 mm] DRILL BIT, 1/2" [12 mm] DEEP FOR HARDWARE.



NOTE ARCH IN FACE PLATE FACES UP.



LATCH

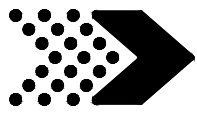
SCREW - 1" (x1)
INCLUDED IN KNOB KIT

SCREW - 3/4" (x2)
INCLUDED IN KNOB KIT

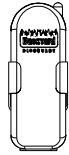
020 (x1)
LATCHING KNOB KIT

KNOB

FACE PLATE



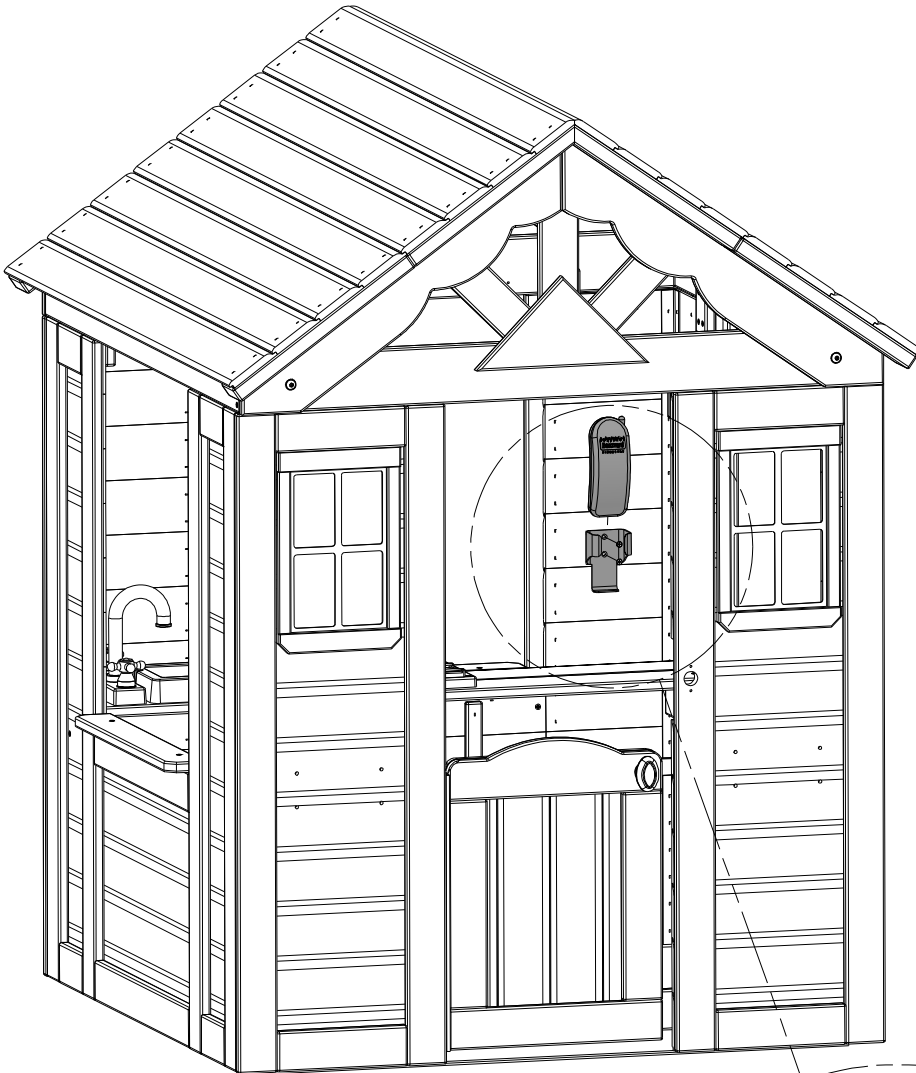
STEP 24



A100132 | PHONE KIT
(x1)

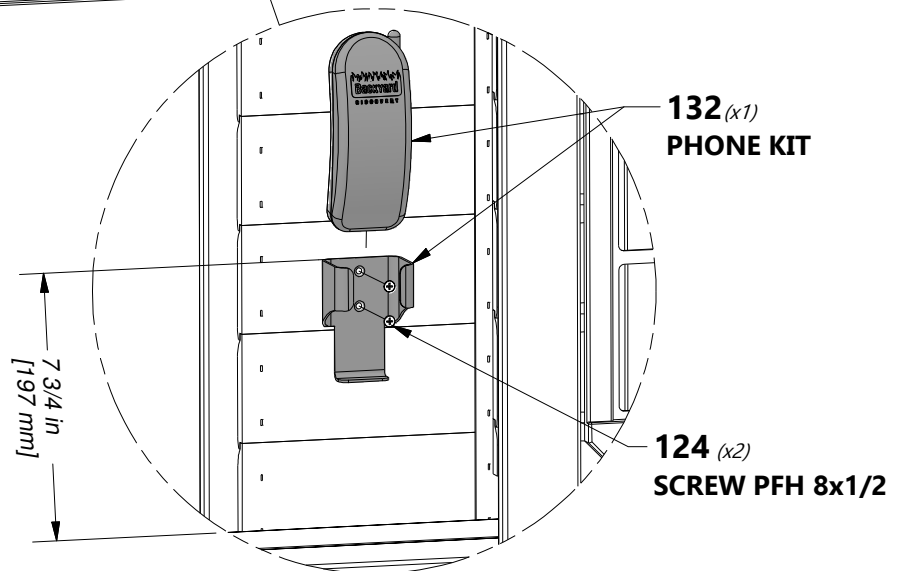


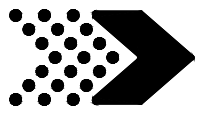
H100124 | SCREW PFH
(x2) 8 x 1/2



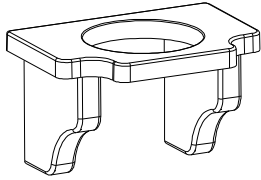
TIP:

CENTER PHONE AND MOUNT
USING THE DIMENSION BELOW
OR YOUR DESIRED LOCATION.





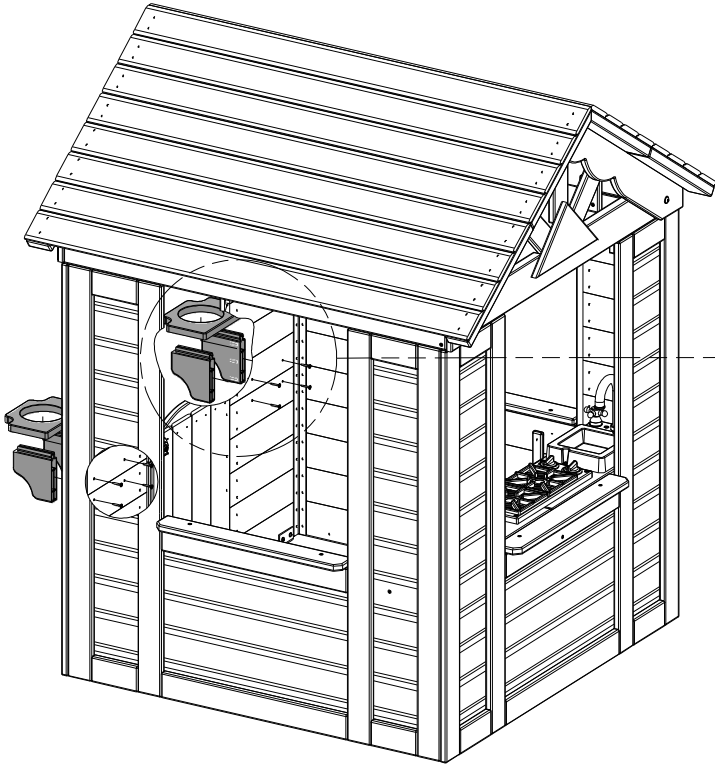
STEP 25



A6P00387
(x2) | **FLOWER POT HOLDER - BLK**

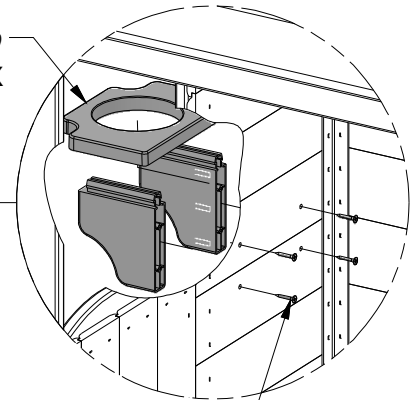


H100085 | **SCREW PFH**
(x8) | **8x1**

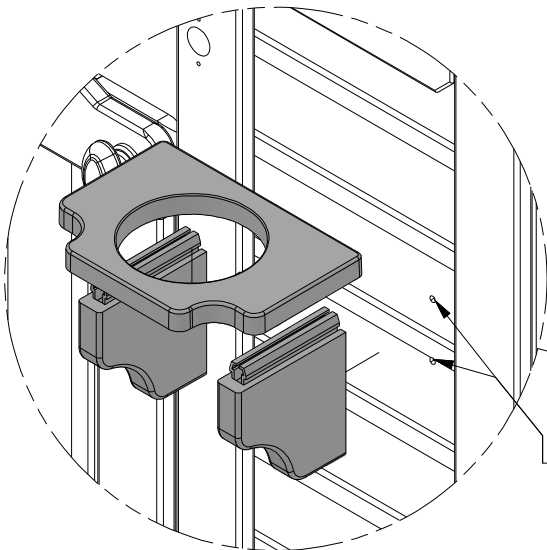


REPEAT ON OPPOSITE SIDE

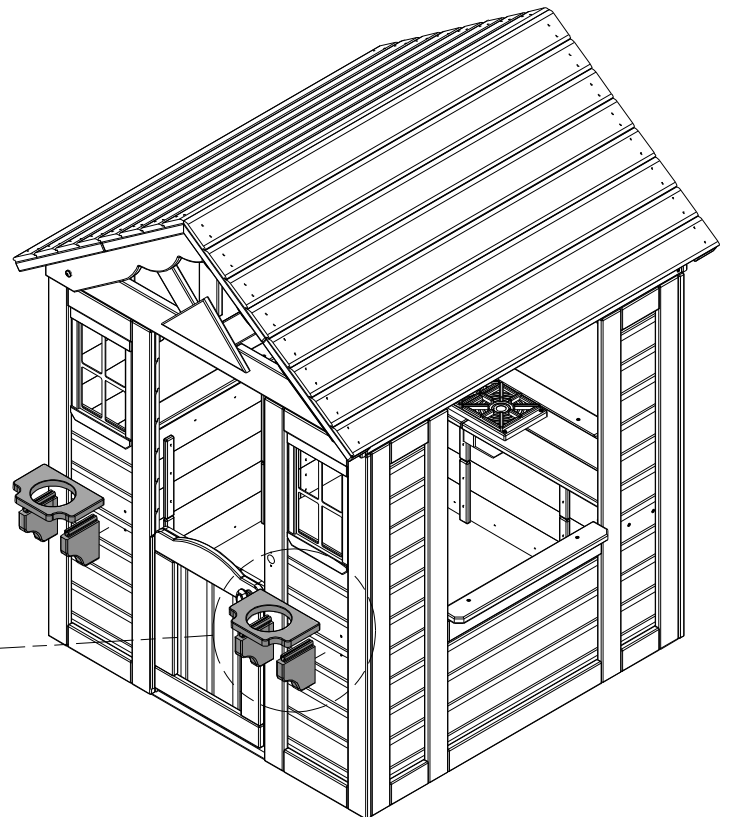
387 (x1)
FLOWER POT HOLDER - BLK

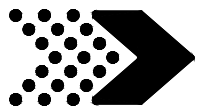


085 (x4)
SCREW - 1"



 **NOTE HOLE LOCATIONS**





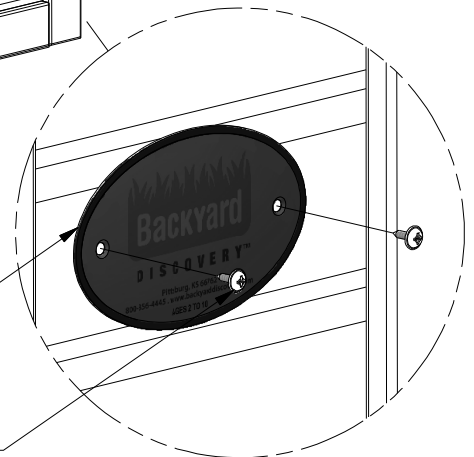
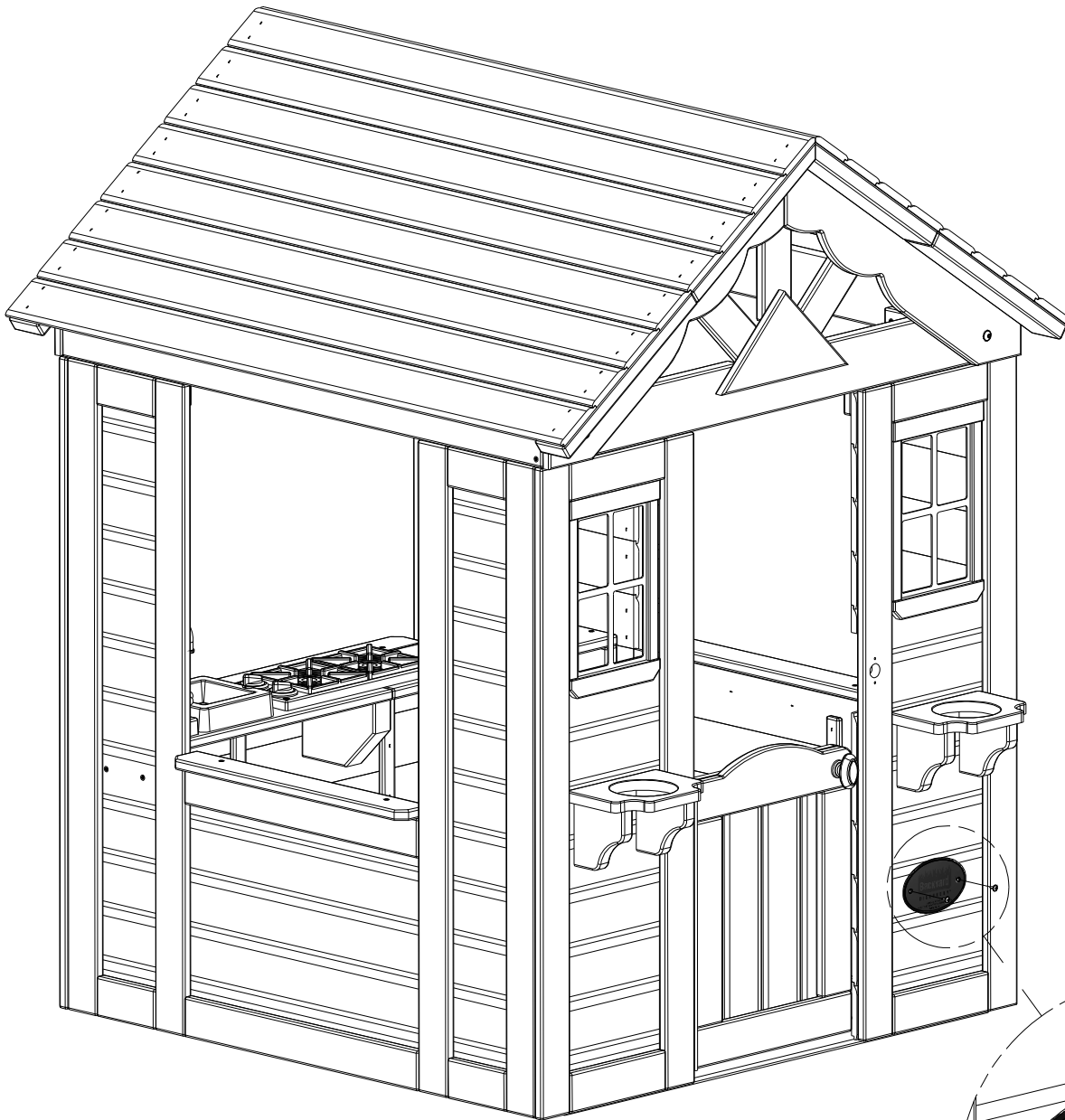
STEP 26



A4M00528 | BYD ID TAG (MEDIUM) AGES 2 TO 10
(x1)

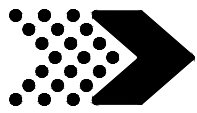


H100361 | SCREW PWH
(x2) | 8x7/16



528 (x1)
BYD ID TAG (MEDIUM) AGES 2 TO 10

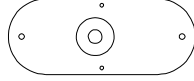
361 (x2)
SCREW - 7/16"



STEP 27



A6P00290 | DOOR BELL PLATE
(x1)



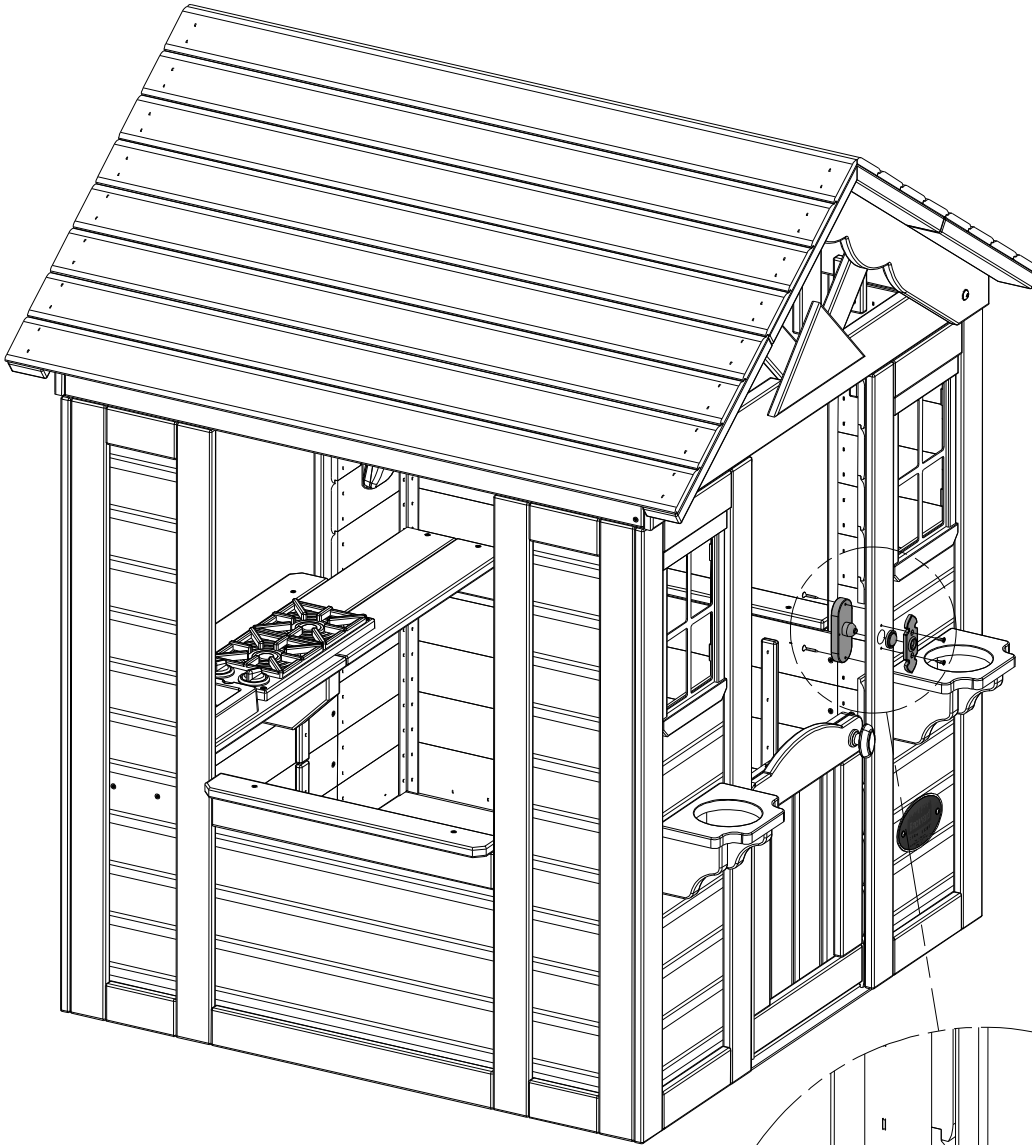
A100174 | DOOR BELL
(x1)



H100537 | SCREW PFH SD
(x2) | *8x1*



H100624 | SCREW PFH BLK
(x2) | *6x5/8*



174 *(x1)*
DOOR BELL

537 *(x2)*
SCREW - 1"

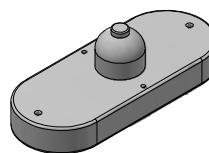
 NOTE PILOT HOLES.

290 *(x1)*
DOOR BELL PLATE &
RUBBER BUTTON

624 *(x2)*
SCREW - 5/8"



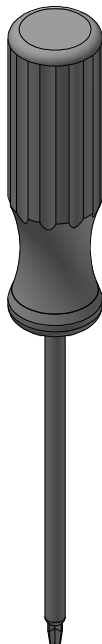
STEP 28



A100174 | DOOR BELL
(x1)

NOTE:

- DO NOT MIX OLD AND NEW BATTERIES.
- DO NOT MIX ALKALINE, STANDARD (CARBON-ZINC), OR RECHARGEABLE (NI-CAD, NI-MH, ETC.) BATTERIES.
- NON-RECHARGEABLE BATTERIES ARE NOT TO BE RECHARGED.
- ONLY BATTERIES OF THE SAME OR EQUIVALENT TYPE AS RECOMMENDED ARE TO BE USED.
- BATTERIES ARE TO BE INSERTED WITH THE CORRECT POLARITY.
- EXHAUSTED BATTERIES ARE TO BE REMOVED FROM THE TOY OR IF THE TOY IS TO BE LEFT UNUSED FOR A LONG TIME.
- THE SUPPLY TERMINALS ARE NOT TO BE SHORT-CIRCUITED.

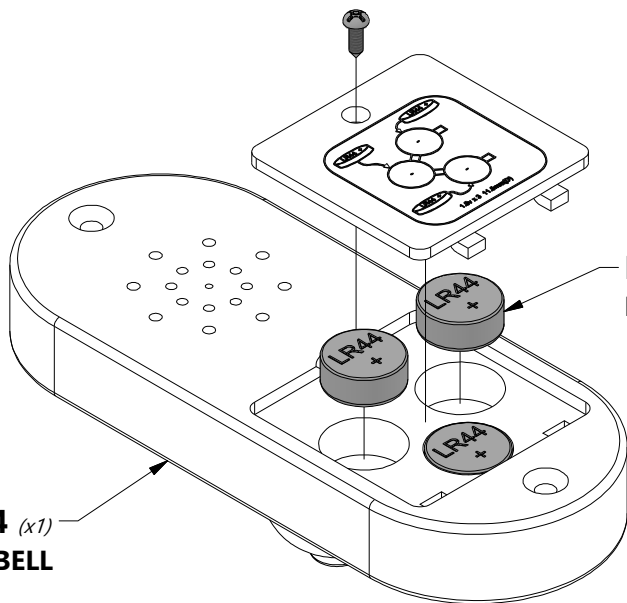


NOTE:

THIS DEVICE COMPLIES WITH PART 15 OF THE FCC RULES. OPERATION IS SUBJECT TO THE FOLLOWING TWO CONDITIONS: (1) THIS DEVICE MAY NOT CAUSE HARMFUL INTERFERENCE, (2) THIS DEVICE MUST ACCEPT ANY INTERFERENCE RECEIVED, INCLUDING INTERFERENCE THAT MAY CAUSE UNDESIRABLE OPERATION.

NOTE:

USING A SCREW DRIVER, REPLACE BATTERIES BY REMOVING SCREW IN BATTERY COVER, REMOVING BATTERY COVER AND FOLLOWING DIRECTIONS FOR BATTERY REPLACEMENT LOCATED ON THE BATTERY COVER.



LR44 (x3)
BATTERY (INCLUDED)

174 (x1)
DOOR BELL



WARNING:

1. KEEP BATTERIES OUT OF THE REACH OF CHILDREN.
2. SWALLOWING MAY LEAD TO SERIOUS INJURY OR DEATH IN AS LITTLE AS 2 HOURS, DUE TO CHEMICAL BURNS AND POTENTIAL PERFORATION OF THE ESOPHAGUS.
3. IF YOU SUSPECT YOUR CHILD HAS SWALLOWED A BUTTON BATTERY, IMMEDIATELY SEEK URGENT MEDICAL ASSISTANCE.
4. EXAMINE DEVICES AND MAKE SURE THE BATTERY COMPARTMENT IS CORRECTLY SECURED, E.G. THAT THE SCREW OR OTHER MECHANICAL FASTENER IS TIGHTENED. DO NOT USE IF COMPARTMENT IS NOT SECURE.
5. DISPOSE OF USED BUTTON BATTERIES IMMEDIATELY AND SAFELY. FLAT BATTERIES CAN STILL BE DANGEROUS.
6. TELL OTHER OF THE RISK ASSOCIATED WITH BUTTON BATTERIES AND HOW TO KEEP THEIR CHILDREN SAFE.