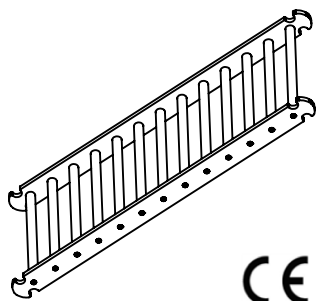




KateHaa Wooden Toys

Learn, Play and Explore

## WOODEN ACTIVITY TOY LADDER RAMP



INSTRUCTIONS FOR ASSEMBLY,  
MAINTENANCE AND SAFE USE.

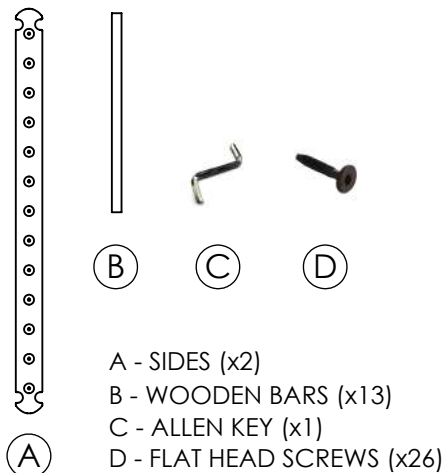
**MADE IN LATVIA**

**KateHaa SIA**

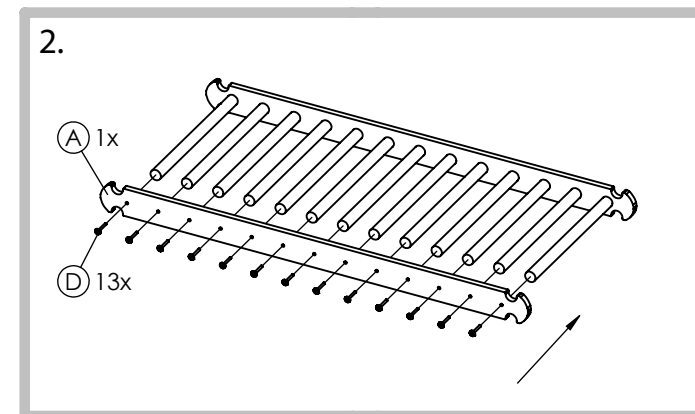
Annas st.18, Ikšķile,  
Ogre reg., Latvia, LV-5052  
Email: [info@katehaa.com](mailto:info@katehaa.com)  
[www.katehaa.com](http://www.katehaa.com)



The package contains:

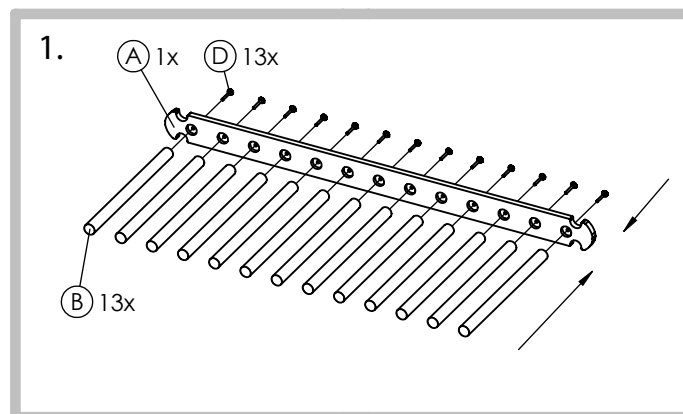


**ADULT  
ASSEMBLY  
REQUIRED**



Note: - Use ALLEN KEY (C) to screw the SCREWS (D) into the predrilled holes.  
- Use your hand to hold the WOODEN BARS (B) during assembling.  
- WOODEN BARS (B) are not allowed to constantly turn around during assembling.  
- For easier assembly we recommend to split the 2th step in steps 2.1. and 2.2. At first (2.1.) screw in all the SCREWS (D) till half. Just at the second step (2.2.) tighten them completely.

For assembling please follow these steps:



**Thank you!**

FOLLOW US ON:

[katehaa.toys](https://www.facebook.com/katehaa.toys)

[katehaa.toys](https://www.instagram.com/katehaa.toys)

*KateHaa SIA protects it's unique designs worldwide  
with patents and design registrations.*

