

Portable Basketball System



Table of Contents

POLE CARE AND SYSTEM MAINTENANCE	3
GENERAL SAFETY INSTRUCTIONS	5
PART LIST.....	6
ASSEMBLY STEPS	
STEP 1	10
STEP 2	11
STEP 3	12
STEP 4	13
STEP 5.....	14
STEP 6.....	15
STEP 7.....	16
STEP 8	17
STEP 9	18
STEP 10.....	19
STEP 11.....	20
STEP 12.....	21
How to move basketball	22
How to adjust the height.....	23
WARNING.....	24

POLE CARE AND SYSTEM MAINTENANCE

The life of your basketball system depends on many variables. The climate, exposure to corrosives such as salt, pesticides or herbicides, and excessive use or misuse can all contribute to pole failure, which may cause property damage and/or personal injury.

Check your basketball system frequently for loose hardware, excessive wear, and signs of corrosion. For safety reasons, and to prolong the life of your basketball system, you must take the following preventative measures.

1. Check all nuts and bolts. If any are loose, tighten them.
2. Check all parts for excessive wear and tear. If necessary, replace any parts that have been worn or damaged through usage. Contact our Customer Service Department for replacement parts.
3. Inspect the warning sticker on the pole. If it is ripped, faded, or illegible, call our Customer Service Department to request a replacement sticker.
4. Check all pole sections for visible rust or chipped or cracked paint. If either is present, do the following:
 - a) Use an emery cloth to completely remove any rust or chipped paint.
 - b) Clean the area with a damp cloth and allow it to dry.
 - c) Apply two coats of a rust preventative, high gloss enamel paint to the area. Allow the paint to dry between coats.

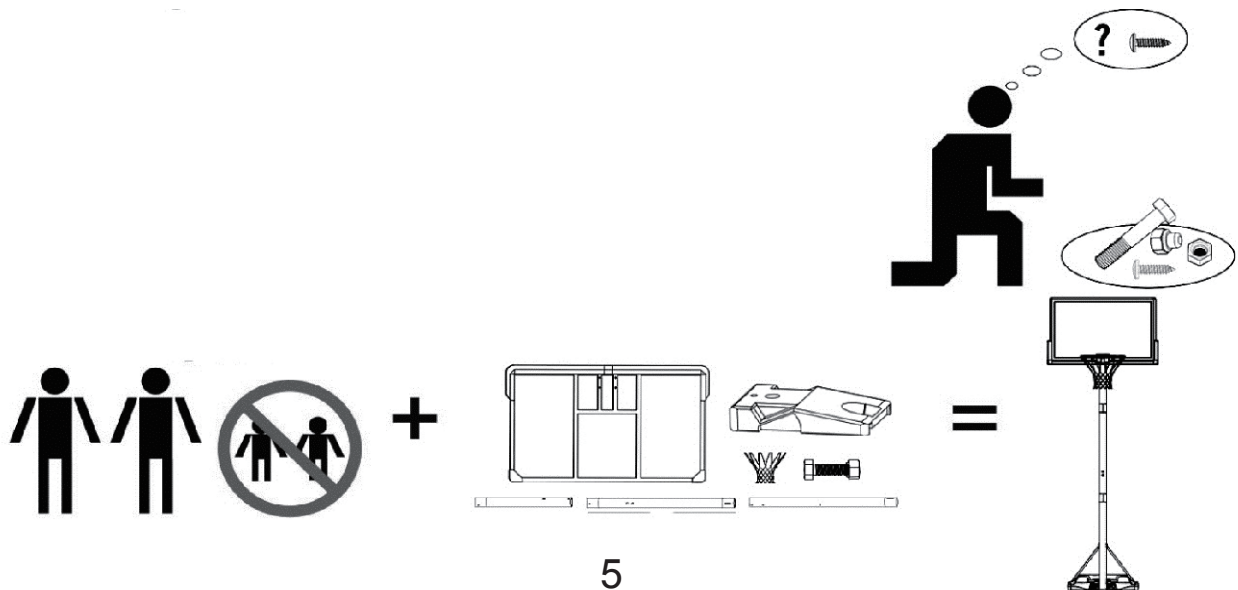
IF RUST HAS PENETRATED THROUGH THE POLE ANYWHERE, REPLACE IMMEDIATELY!

WARNING!!!

NEVER OPERATE THE PORTABLE BASKETBALL SET WITHOUT FILLING UP THE MOULDED BASE WITH WATER OR SAND FULLY.









GENERAL SAFETY INSTRUCTIONS

- * Do not hang from the goal or climb on the pole.
- * Do not climb on the base or structure in general as this could result in serious personal injuries.
- * Adjustments and moving of the basketball set must be carried out by adults.
- * Always check the unit to ensure that the moulded base is full of water or sand, and all fittings and hardware are tight before each use.
- * Always place the base on a flat surface.
- * Do not let water freeze in the base.
- * Two people are required for assembly.
- * Keep the manual for future reference



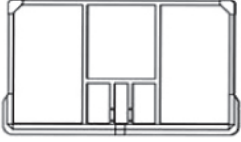


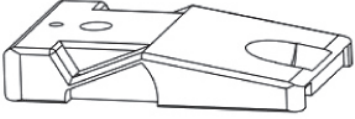
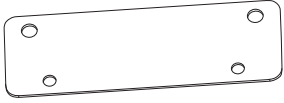
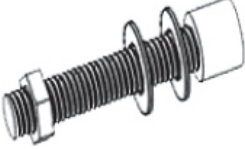
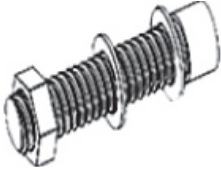
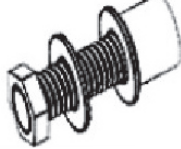
Part List

Part #, Description, Picture, Quantity

<p>1</p>  <p>Bottom Pole</p> <p>Φ75*1090mm</p> <p>QTY:1</p>	<p>2</p>  <p>Middle Pole</p> <p>Φ75*1090mm</p> <p>QTY:1</p>
<p>3</p>  <p>Top Pole</p> <p>Φ75*835mm</p> <p>QTY:1</p>	<p>4</p>  <p>Bottom Pole Brace</p> <p>Φ19*975mm</p> <p>QTY:2</p>
<p>5</p>  <p>Lower handle bar</p> <p>28*28*900mm</p> <p>QTY:1</p>	<p>6</p>  <p>Upper handle bar</p> <p>32*32*960mm</p> <p>QTY:1</p>
<p>7</p>  <p>Short backboard connecting tube</p> <p>Φ30*495mm</p> <p>QTY:2</p>	<p>8</p>  <p>Long backboard connecting tube</p> <p>Φ30*695mm</p> <p>QTY:2</p>


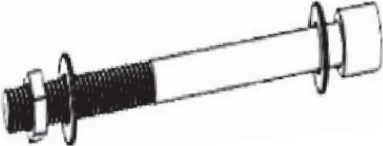
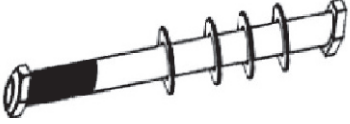
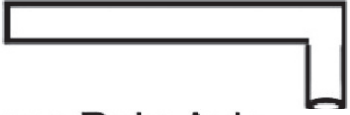




Part List

Part #, Description, Picture, Quantity

<p>9</p>  <p>Backboard</p> <p>QTY:1</p>	<p>10</p>  <p>Rim</p> <p>Φ16*450mm</p> <p>QTY:1</p>
<p>11</p>  <p>Net</p> <p>QTY:1</p>	<p>12</p>  <p>Base</p> <p>QTY:1</p>
<p>13</p>  <p>Backboard Connecting Plate</p> <p>QTY:2</p>	<p>14</p>  <p>Bolt, Washer and Screw Set</p> <p>M8*45mm</p> <p>QTY:1</p>
<p>15</p>  <p>Bolt, Washer and Screw Set</p> <p>M10*40mm</p> <p>QTY:4</p>	<p>16</p>  <p>Bolt, Washer and Screw Set</p> <p>M8*25mm</p> <p>QTY:2</p>



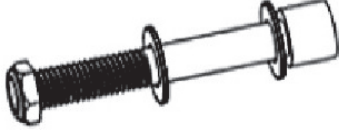
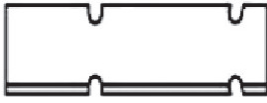
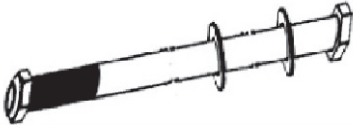
Part List

Part #, Description, Picture, Quantity







<p>17 26 27</p>  <p>Bolt, Washer and Screw Set</p> <p>M8*90mm QTY:2</p>	<p>17</p>  <p>Bolt, Washer and Screw Set</p> <p>M8*90mm QTY:3</p>
<p>18</p>  <p>Bolt, Screw</p> <p>M12*160mm QTY:3</p>	<p>19</p>  <p>Base Pole Axle</p> <p>Φ10*210mm QTY:1</p>
<p>20</p>  <p>Middle pole mounting plate</p> <p>QTY:1</p>	<p>21</p>  <p>wheel</p> <p>Φ95*70mm QTY:2</p>
<p>22</p>  <p>Wheel axle</p> <p>Φ12*145mm QTY:2</p>	<p>23</p>  <p>Tube washer short size</p> <p>Φ13*Φ16*20mm QTY:2</p>

Part List

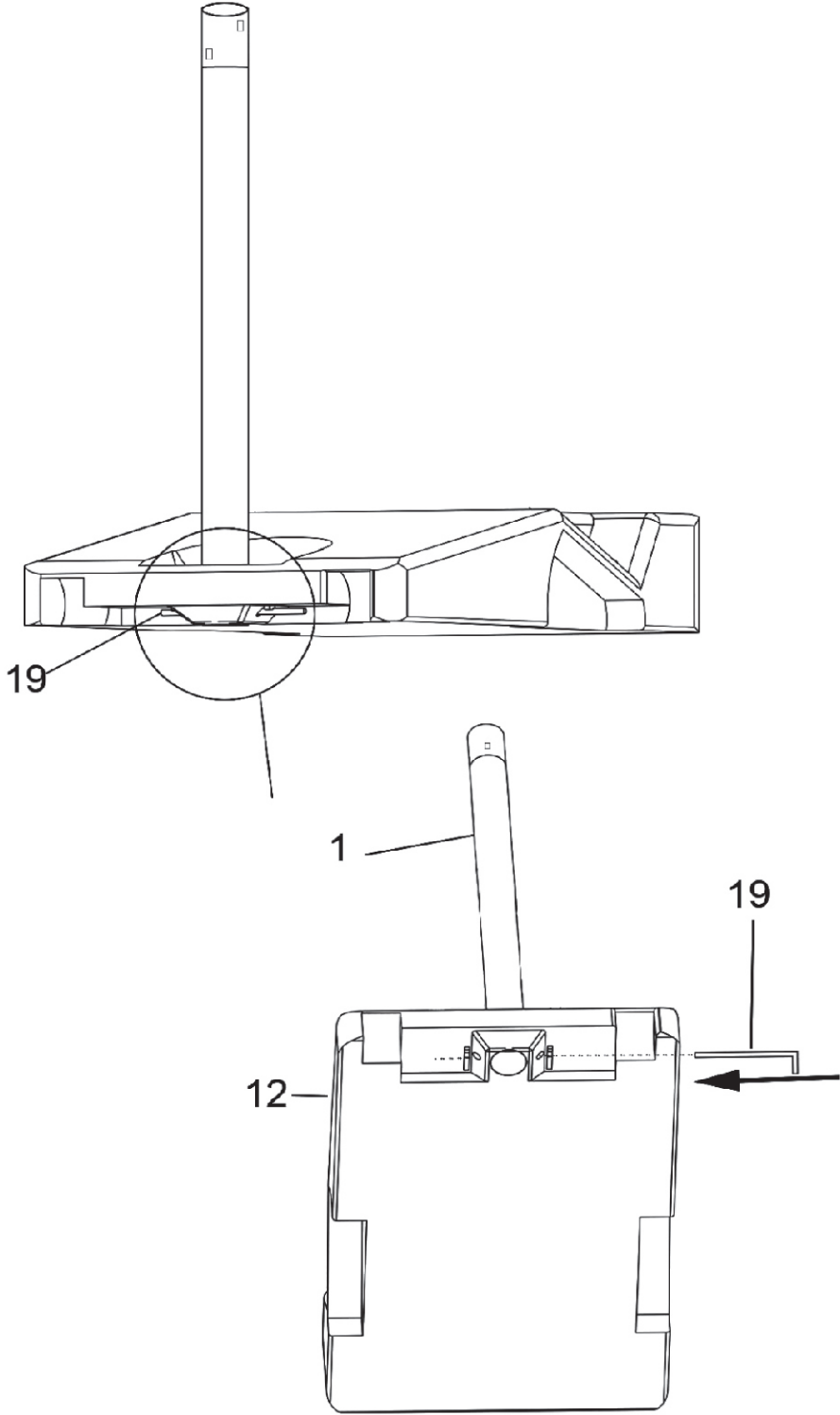
Part #, Description, Picture, Quantity

<p>25</p>  <p>Bolt, Washer and Screw Set</p> <p>M8*85mm QTY:4</p>	<p>28</p>  <p>Short Spring</p> <p>Φ12*Φ16*18mm QTY:2</p>
<p>29</p>  <p>Bolt, Washer and Screw Set</p> <p>M8*60mm QTY:2</p>	<p>30</p>  <p>Pole Cover</p> <p>1380*345mm QTY:1</p>
<p>32</p>  <p>Bolt, Screw</p> <p>M 12*55mm QTY:4</p>	

Tools Kit, Outils Kit

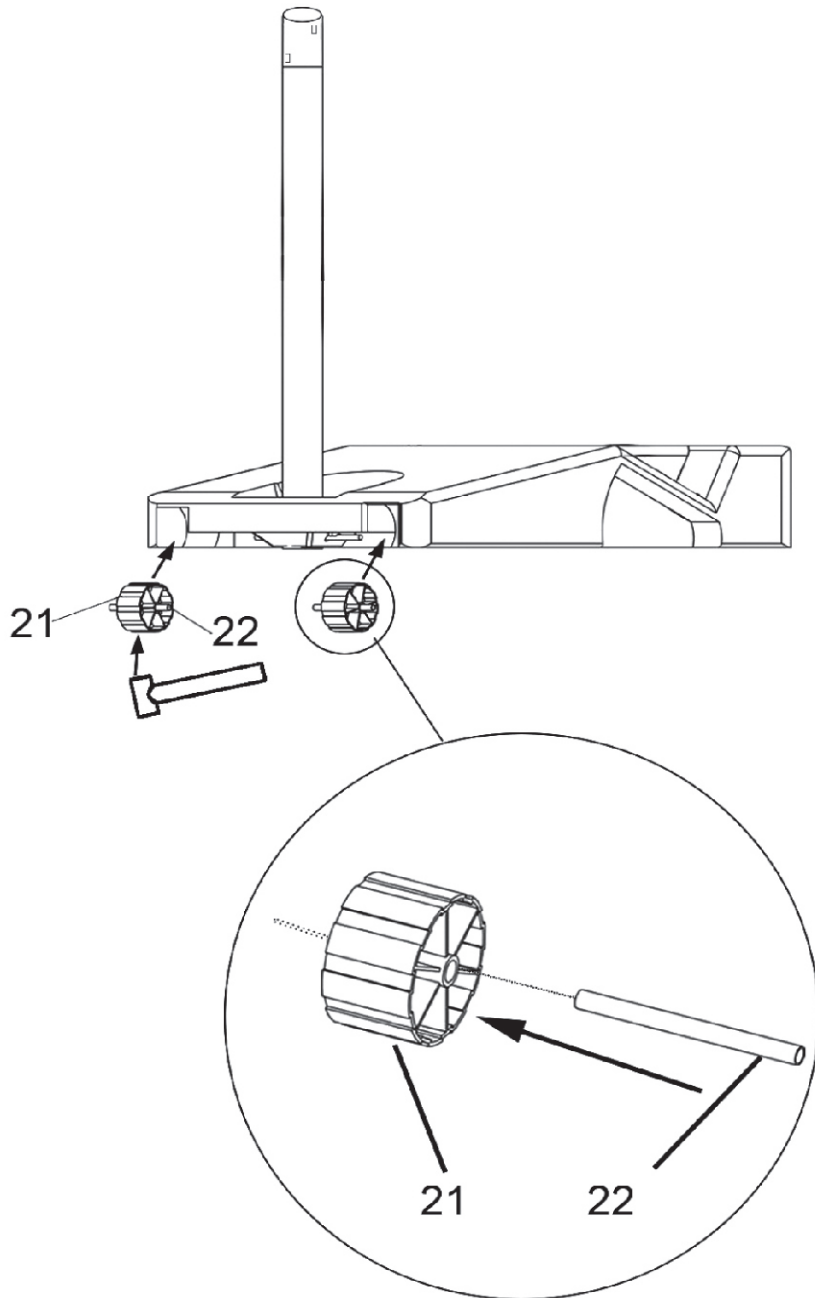
a	10*13mm wrench 10*13mm clé		1pc	Include intégrer	d	M12 wrench M12 clé		1pc	Include intégrer
b	14*17mm wrench 14*17mm clé		1pc	Include intégrer	e	M8 wrench M8 clé		1pc	Include intégrer
c	17*19mm wrench 17*19mm clé		1pc	Include intégrer	f	M10wrench M10 clé		1pc	Indude intégrer

Step 1





Step 2

TOOLS NOT INCLUDED (Need to prepare yourself)

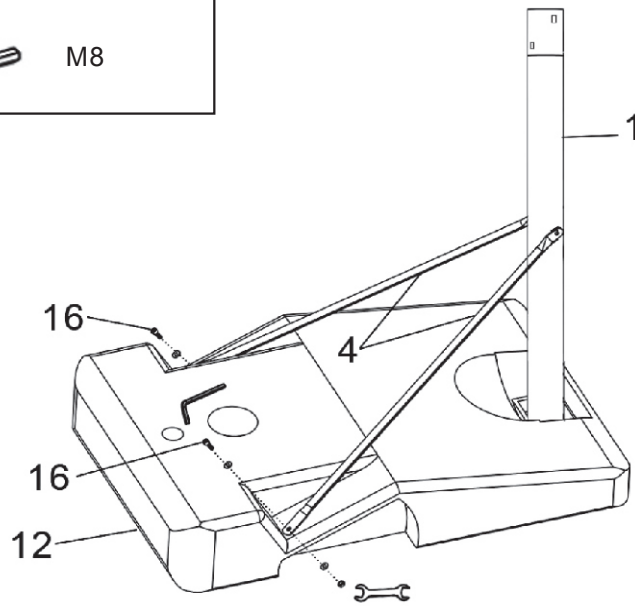


Step 3



A


TOOLS NEEDED	
	14x17mm
	M8

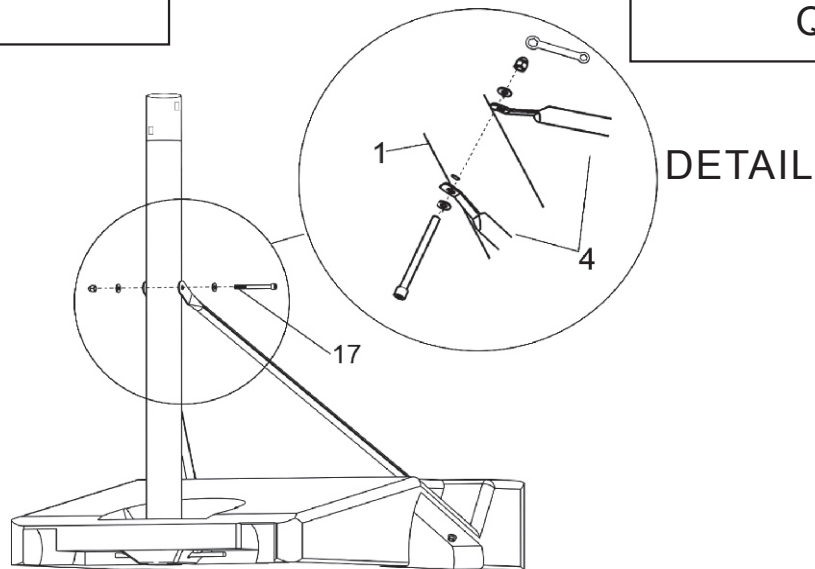
HARDWARE NEEDED	
	16
M8*25mm	
QTY:2	



B

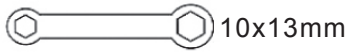
TOOLS NEEDED	
	10x13mm
	M8

HARDWARE NEEDED	
	17
M8*90mm	
QTY:1	



Step 4

TOOLS NEEDED

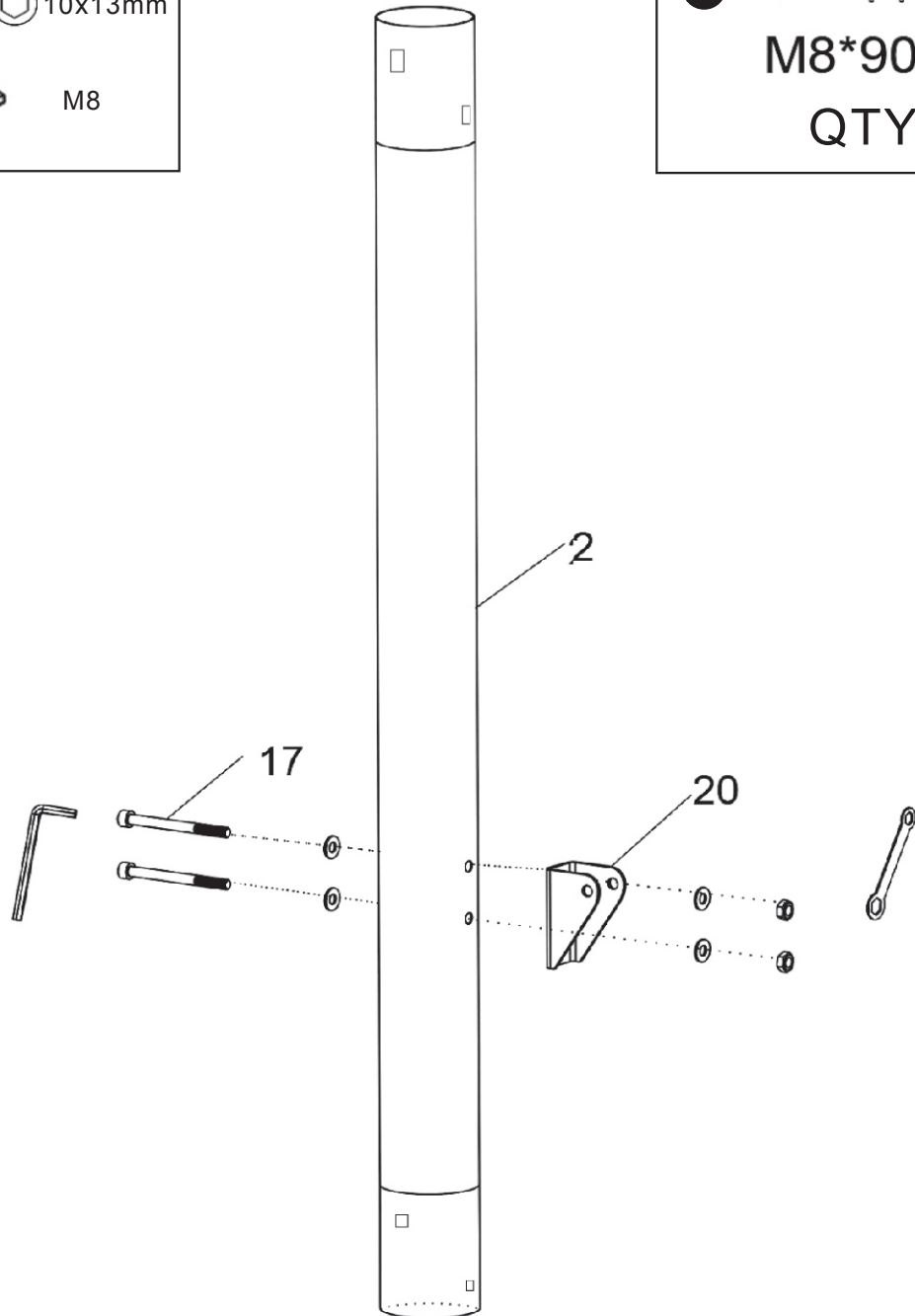


HARDWARE NEEDED



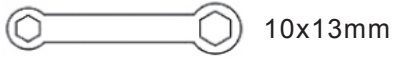
M8*90mm

QTY:2



Step 5

TOOLS NEEDED

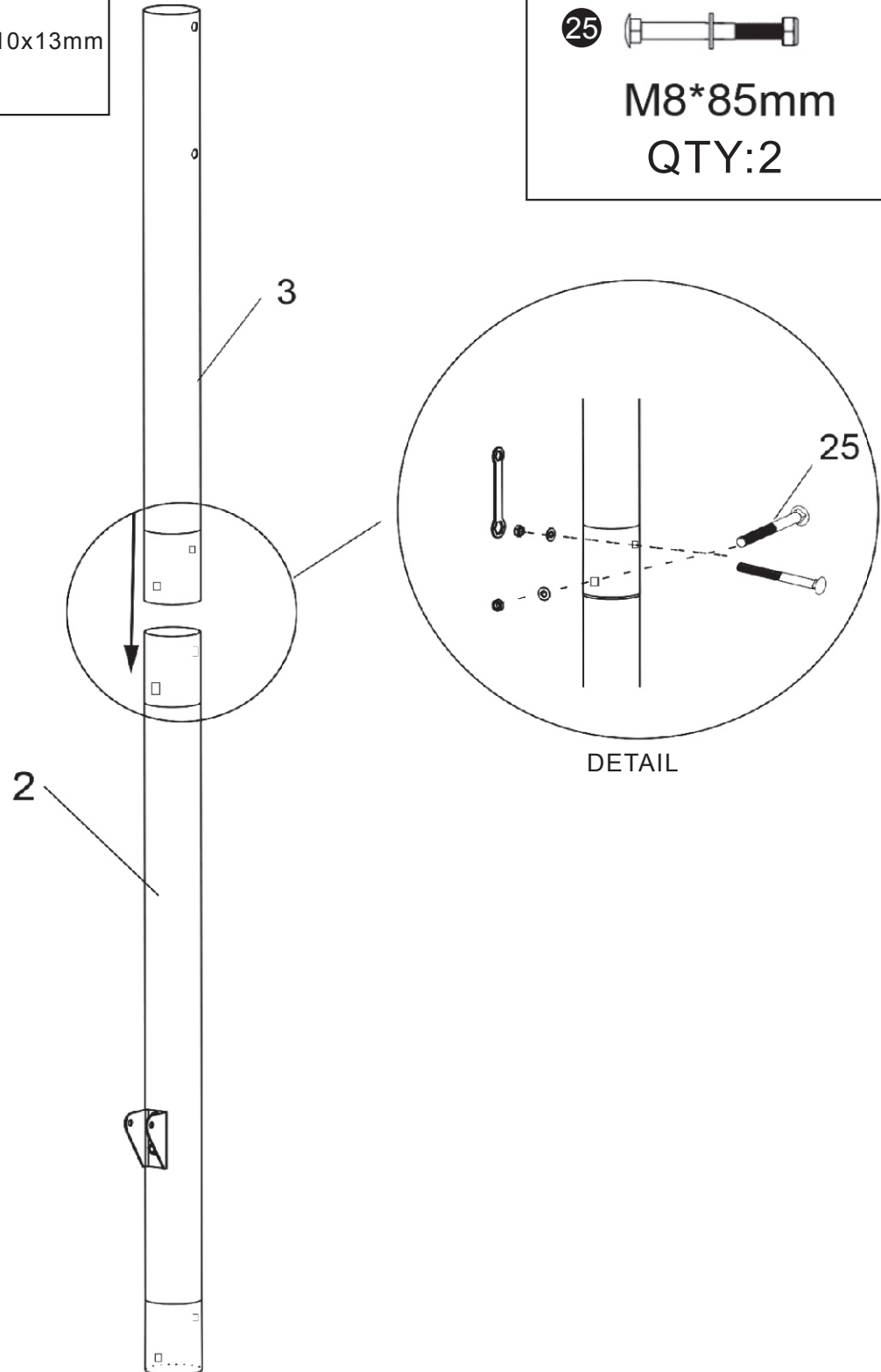


HARDWARE NEEDED



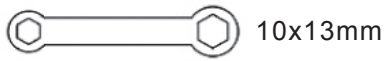
M8*85mm

QTY:2



Step 6

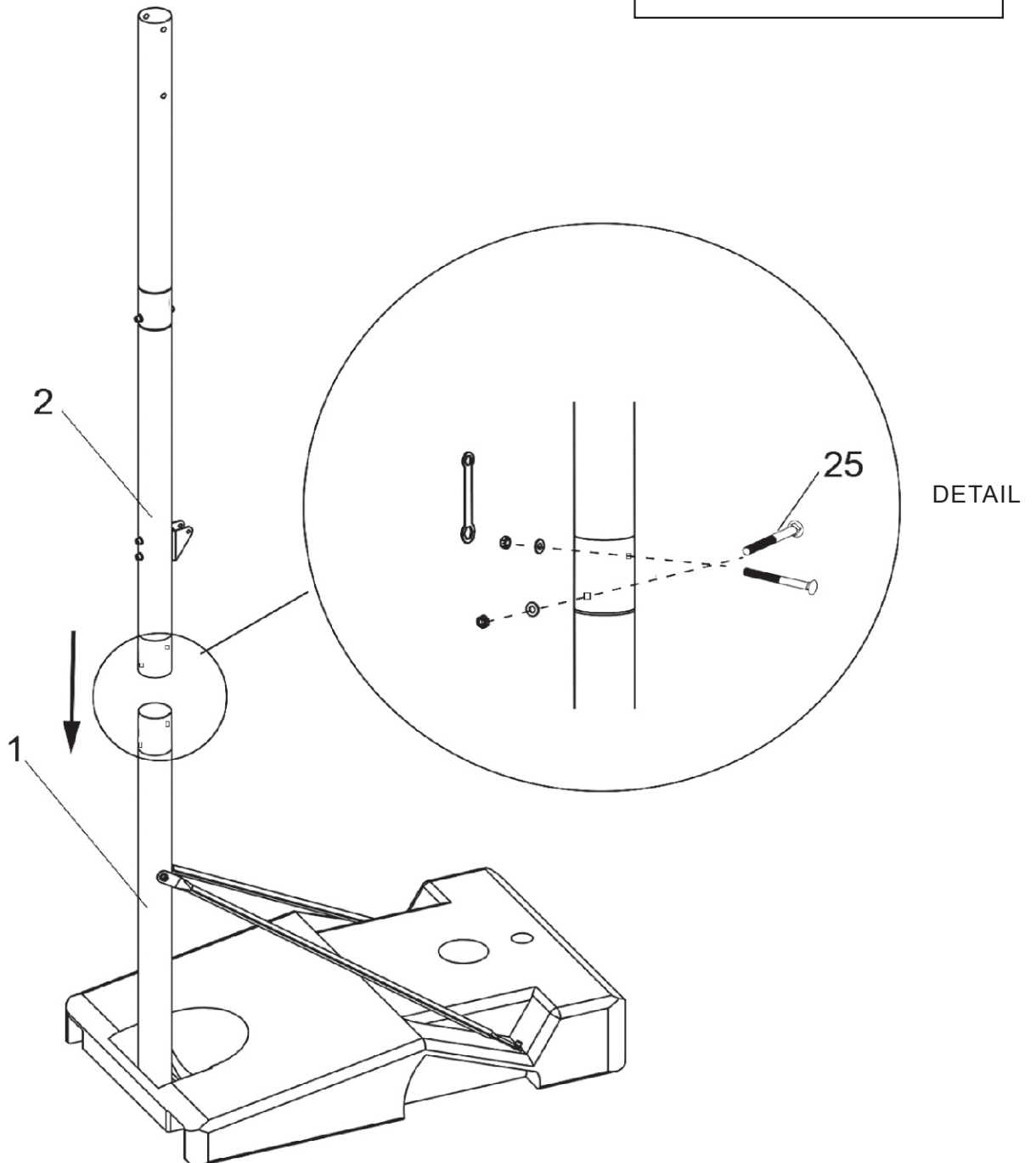
TOOLS NEEDED



HARDWARE NEEDED



M8*85mm
QTY:2

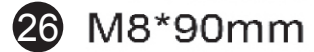


Step 7

TOOLS NEEDED

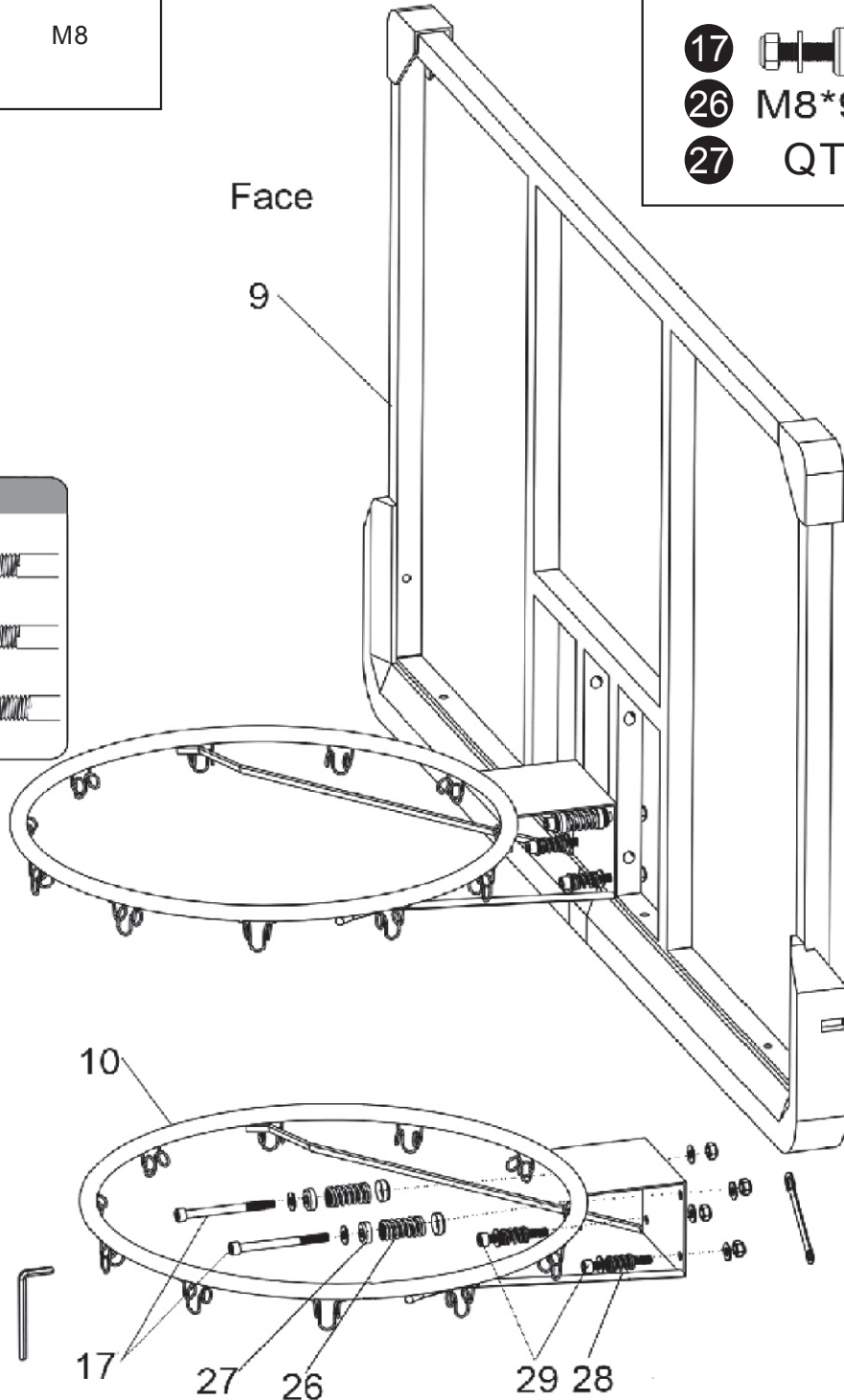
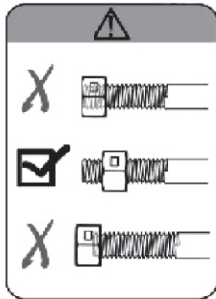


HARDWARE NEEDED



Face

9



Step 8

TOOLS NEEDED



M10mm



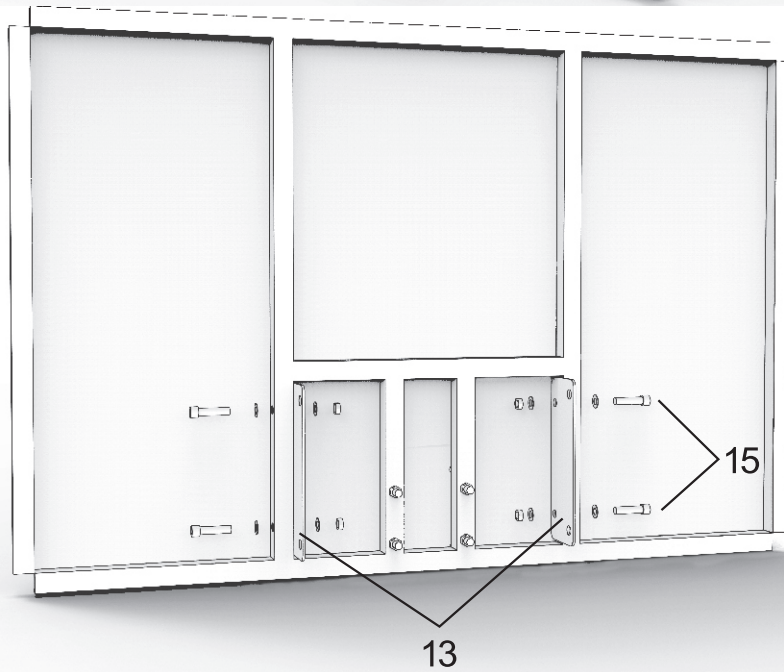
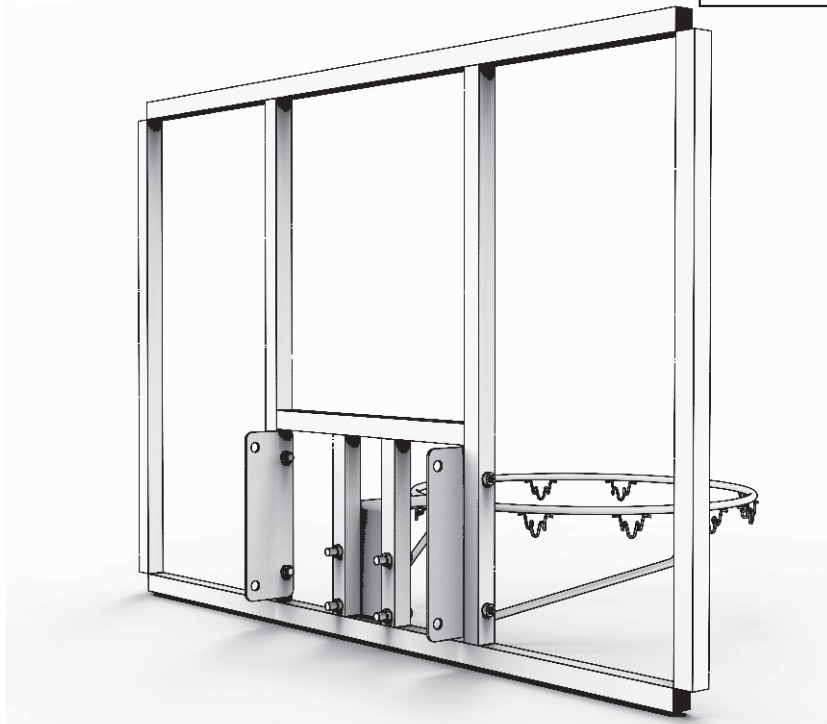
14x17

HARDWARE NEEDED

15




M10*40mm
QTY:4




Step 9

TOOLS NEEDED



14x17mm



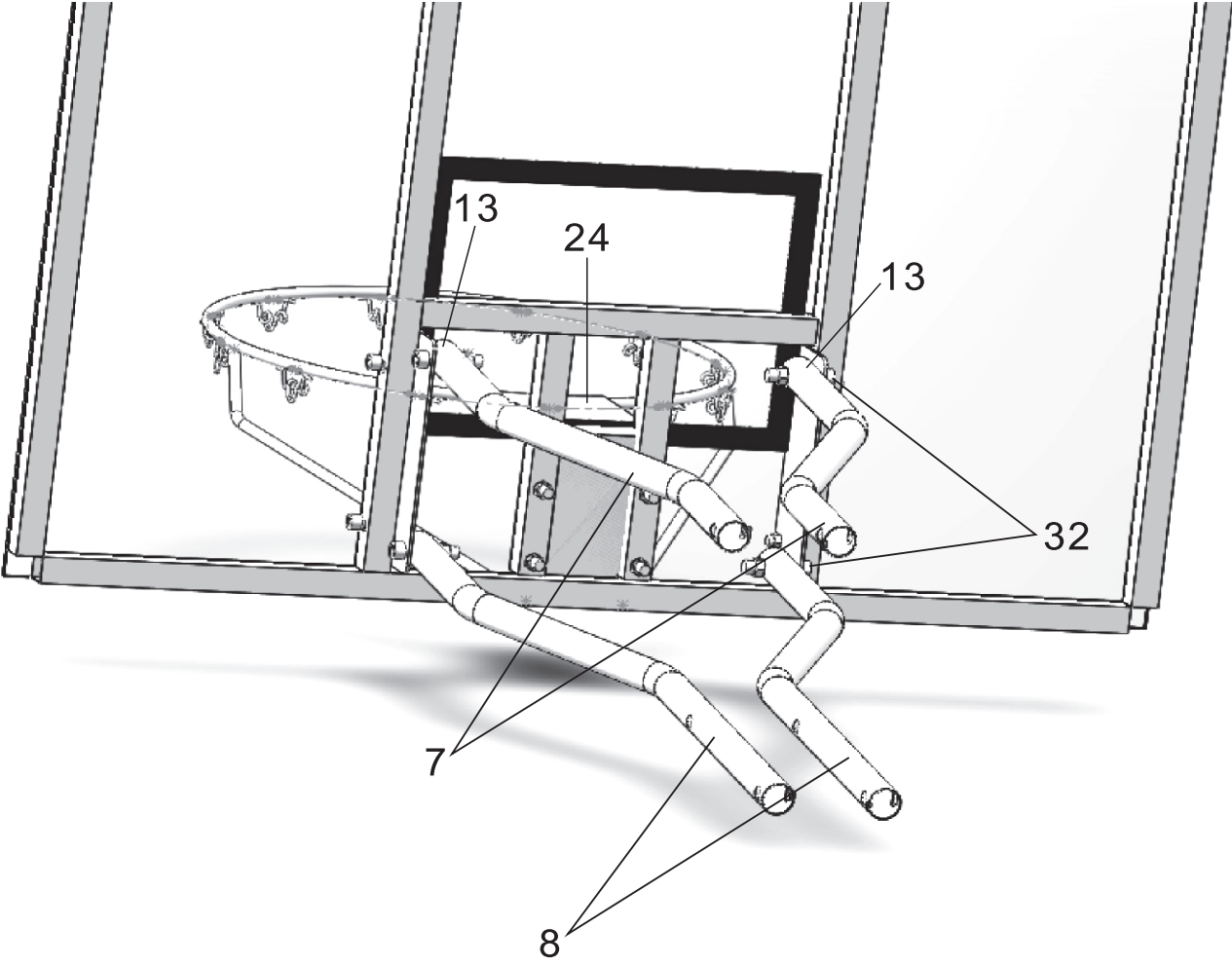
17x19mm

HARDWARE NEEDED



32

M12*55mm
QTY:4

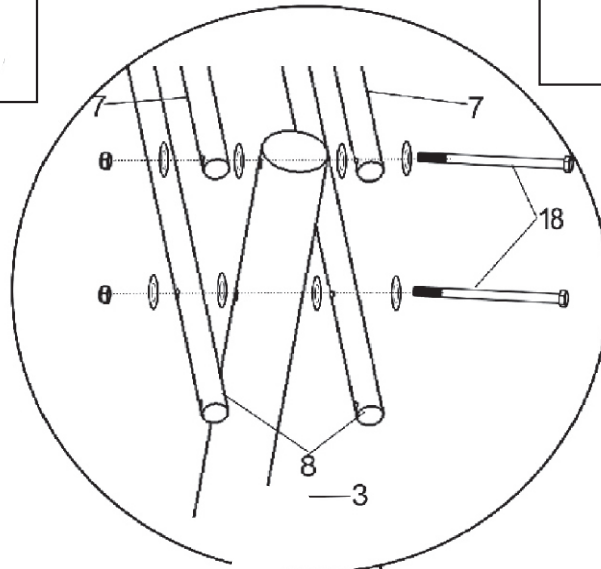
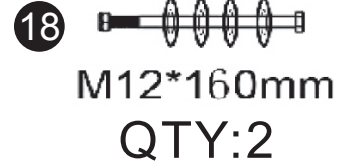


Step 10

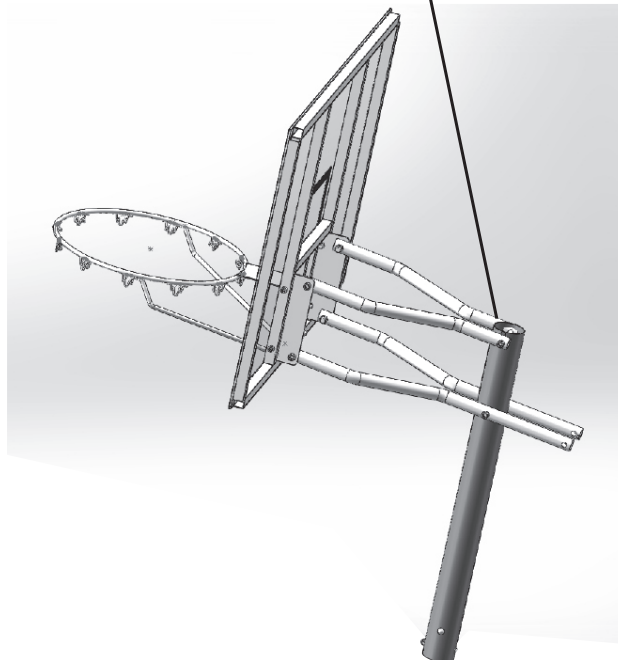
TOOLS NEEDED



HARDWARE NEEDED



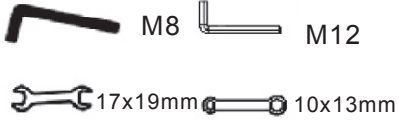
DETAIL



Please do not tighten the screws before completing all installation.
Ne pas serrer les vis avant de terminer toute l'installation.

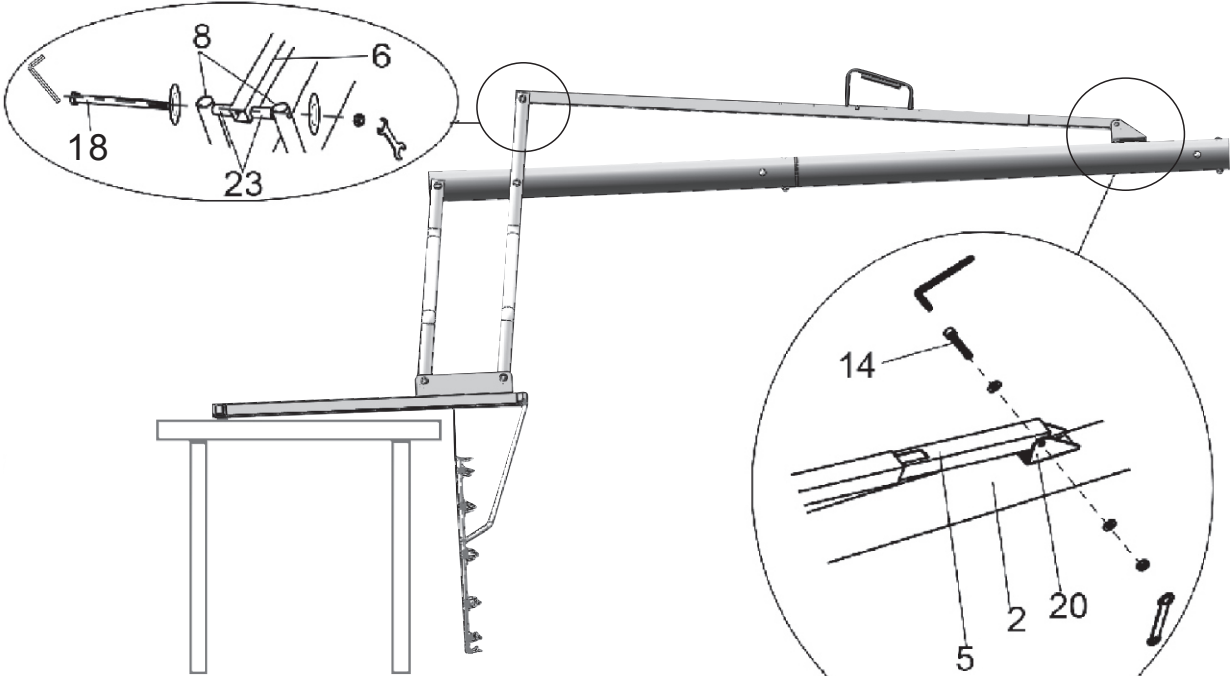
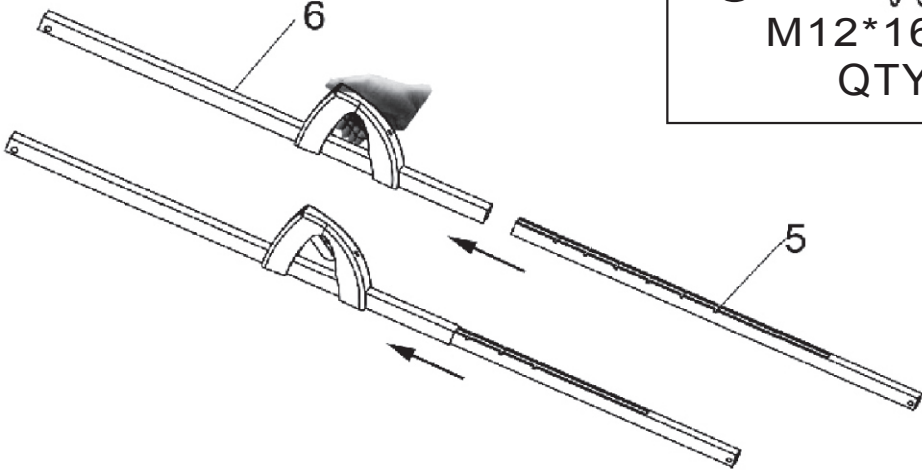
Step 11

TOOLS NEEDED



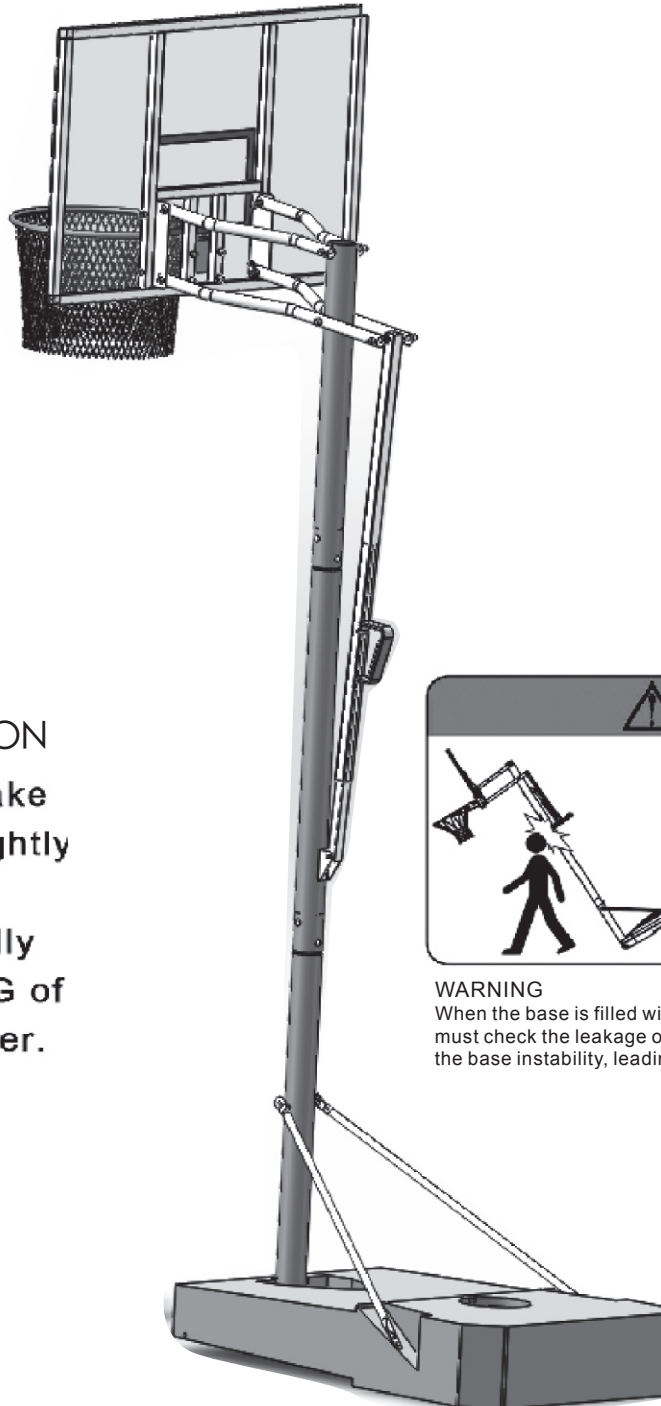
HARDWARE NEEDED

- 14 M8*45mm
QTY:1
- 18 M12*160mm
QTY:1



DETAIL

Step 12

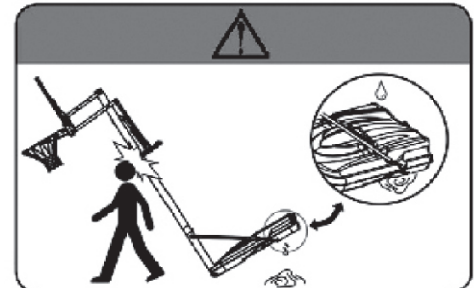


WARNING/ATTENTION

*Check over unit to make sure all hardware is tightly adequately.

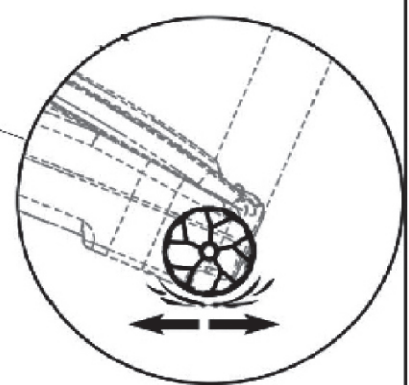
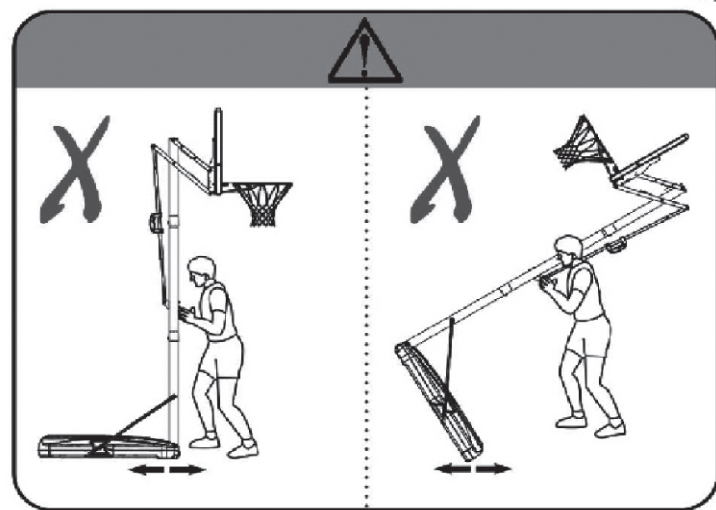
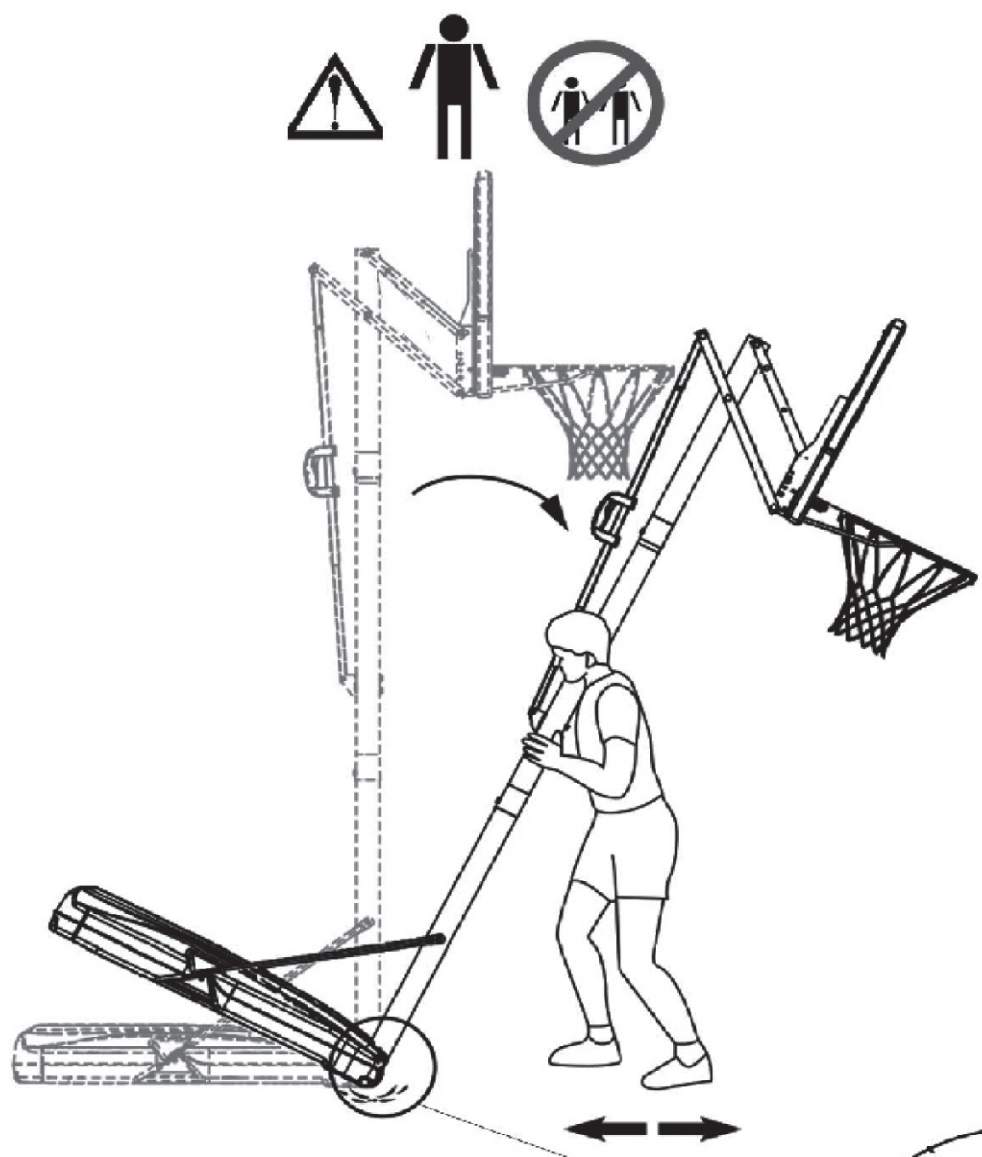
*Ensure the base is fully filled with either 115KG of Sand or 105KG of Water.

*Wrap pole cover #30.

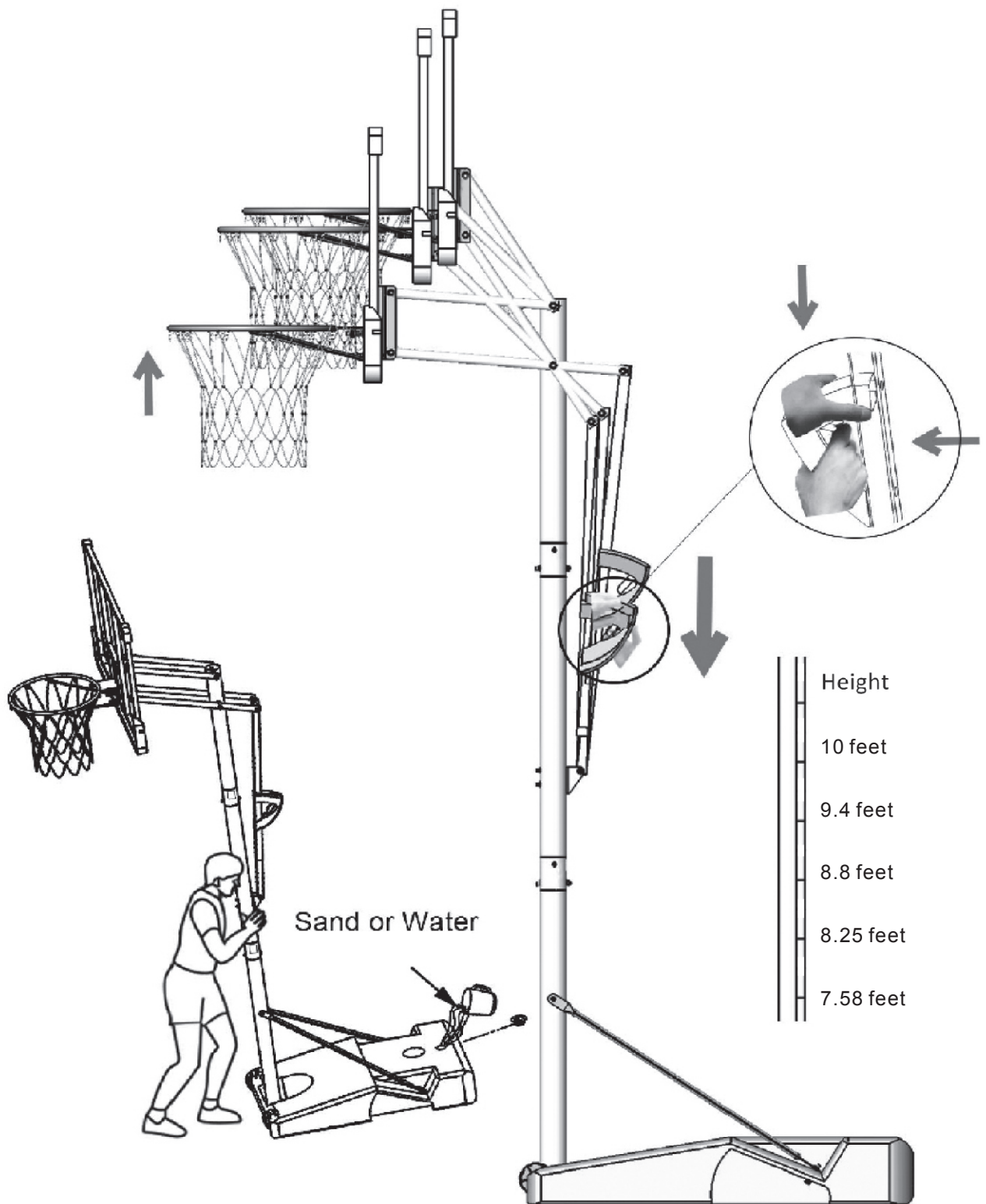


WARNING

When the base is filled with water or sand, player must check the leakage of the base, to prevent the base instability, leading to injury.



WARNING
 Moving of the basketball system must be carried out by adults.
 Be sure to follow the correct way of moving, avoid the following two incorrect ways.



WARNING

THOSE WHO ASSEMBLE AND USE THE SYSTEM MUST READ, UNDERSTAND AND COMPLY WITH ALL THE FOLLOWING AND THE OWNER MUST ENSURE THAT ALL PLAYERS KNOW AND FOLLOW THE RULES FOR THE SAFE OPERATION OF THIS SYSTEM.

THE SYSTEM MUST BE REMOVED AND ASSEMBLED ONLY BY ADULTS WHO CAN SAFELY HANDLE THE WEIGHT.

1. Before assembling the system, the assembler must read all instructions carefully and ensure that all parts are present.
2. Before building the basketball system, you will need to choose a flat piece of ground void of any obstacles that could cause harm to the players.
3. Before using the system, the players must first check the stability of the base. The ground under the base should be free of sharp objects that could cause the base to leak. The base should be filled with the appropriate amount of sand or water, as outlined in the instruction manual.
4. Do not push or drag the base on the ground, as it may cause damage.
5. This system should not be used for a formal match. Dunking and hanging from the rim is not advised.
6. Do not wear any form of jewelry, as this may cause injury.
7. Do not use the system in severe weather.
8. Do not climb the pole or hang from the rim.
9. Check the systems before each use for loose or damaged parts.

