



MANUFACTURED BY:
 Backyard Discovery
 3305 Airport Drive, Pittsburg, KS 66762
 800-856-4445

Basepoint Business Centre: Rivermead Drive, Westlea, Swindon SN5 7EX Phone: 0800-118-2476
 J.P. Coenstraat 7, The Bridge, The Hague, 2595 WP, Netherlands Phone: 0800-567-8990

SWEETWATER HEIGHTS PLAYHOUSE MODEL # 2303027

The assembly manual must be retained since it contains important information.



WARNING

Adult Assembly Required.

Not suitable for children under 2 years due to sharp points and small parts.

FOR DOMESTIC USE ONLY. INTENDED FOR OUTDOOR USE.

CAN ICES-003 (B)/NMB-003(B)



Please visit www.backyarddiscovery.com

For the most up to date assembly manual, to register your set, or to order replacement parts

Para obtener instrucciones en español, visite www.backyarddiscovery.com



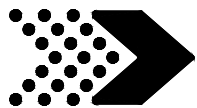
**EASY STEP-BY-STEP
 3D INTERACTIVE INSTRUCTIONS**

DOWNLOAD THE FREE APP



**INSTALLATION
 SERVICES
 AVAILABLE!**

See inside for details



Selecting the correct location for your play product is important for your children's safety and the product's longevity

- The safe play area refers to a zone extending 6'-7" (2m) beyond the play product on all sides, including the space above the play product.

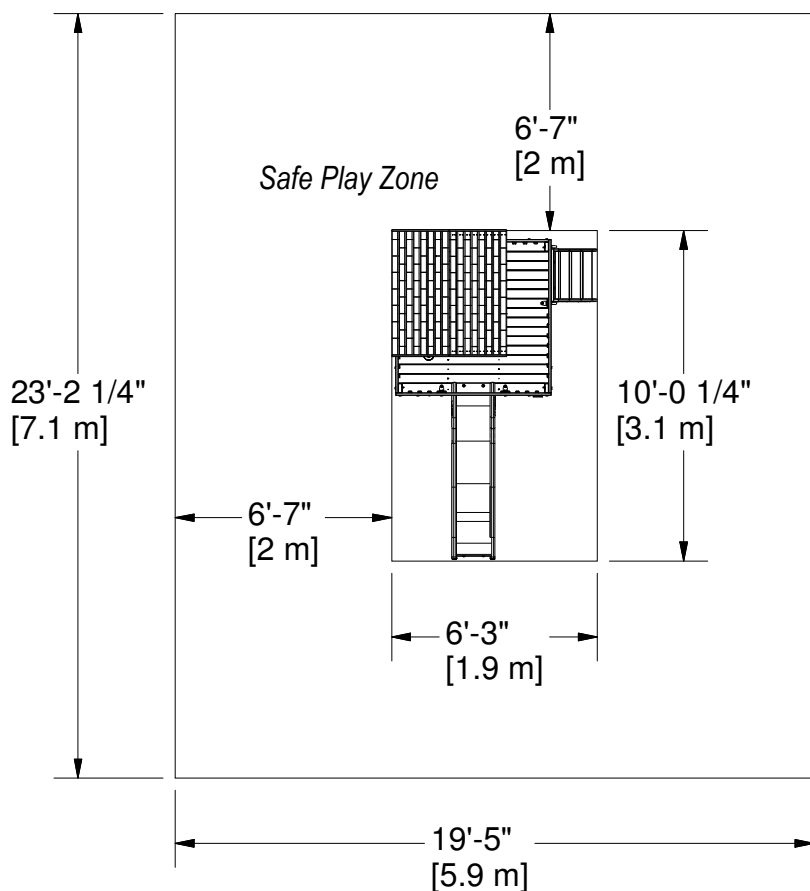
SAFE PLAY AREA DIAGRAM

Ground Dimension

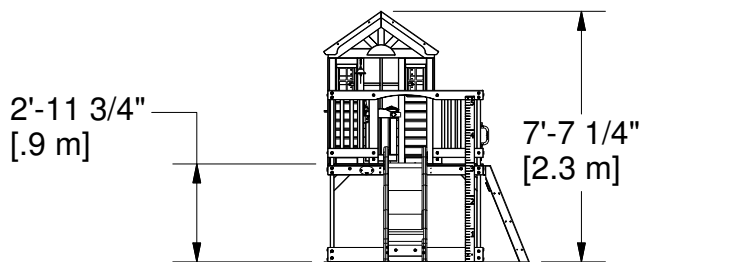
6'-3" [1.9 m] x 10'-1 1/4" [3.1 m]

Safe Play Area

19'-5" [5.9 m] x 23'-2 1/4" [7.1 m] x 14'-2 1/4" [4.3 m]



SAFE PLAY HEIGHT: 14'-2 1/4" [4.3m]
MAXIMUM FALL HEIGHT: 2'-11 3/4" [.9m]

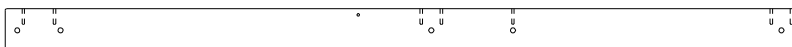


General Information:

Your set has been designed and engineered for children only and for residential use only.
 A maximum of 150 lbs. per child is recommended for play activities designed for individual use.
 A maximum of 120 lbs. per child is recommended for play activities designed for multiple child use.
 A maximum of 6 children is recommended for this playhouse.



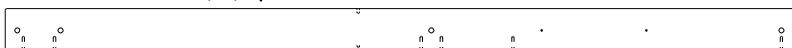
Wood Components (Not to Scale)



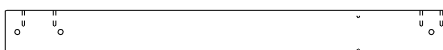
E1 | LEFT FRONT UPRIGHT - W4L17837
(x1) | 1 3/8"x3 3/8"x62 3/8" (36x86x1584)



E2 | RIGHT FRONT UPRIGHT - W2A03762
(x1) | 1 3/8"x3 3/8"x62 3/8" (36x86x1584)



E3 | RIGHT REAR UPRIGHT - W4L17839
(x1) | 1 3/8"x3 3/8"x62 3/8" (36x86x1584)



E4 | LEFT REAR UPRIGHT - W4L17840
(x1) | 1 3/8"x3 3/8"x35" (36x86x889)



G1 | GROUND BOARD - W4L17841
(x2) | 1"x5 1/4"x56 3/4" (24x134x1442)



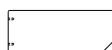
G2 | GROUND BOARD - W4L17842
(x2) | 1"x5 1/4"x54 7/8" (24x134x1394)



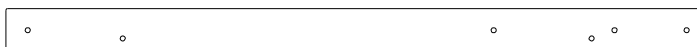
H1 | FLOOR RAIL - W4L17845
(x2) | 1"x3 3/8"x56 3/4" (24x86x1442)



H2 | FLOOR RAIL - W4L17846
(x1) | 1"x3 3/8"x54 7/8" (24x86x1394)



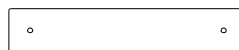
H3 | COUNTER TOP SUPPORT - W4L17873
(x1) | 1"x3 3/8"x8 3/8" (24x86x214)



H4 | FLOOR RAIL - W4L17847
(x1) | 1"x3 3/8"x54 7/8" (24x86x1394)



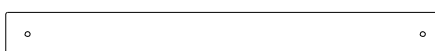
H5 | FLOOR SUPPORT - W4L17848
(x2) | 1"x3 3/8"x54 7/8" (24x86x1394)



H6 | WALL RAIL - W4L17849
(x2) | 1"x3 3/8"x18 1/2" (24x86x469)



H7 | WALL RAIL - W4L17850
(x1) | 1"x3 3/8"x56 3/4" (24x86x1442)



H8 | WALL RAIL - W4L17851
(x1) | 1"x3 3/8"x34 1/4" (24x86x871)



Wood Components (Not to Scale)



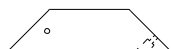
H9 | WALL RAIL - W4L17852
(x2) | 1"x3 3/8"x16 5/8" (24x86x423)



H10 | WALL RAIL - W4L17853
(x2) | 1"x3 3/8"x16 3/4" (24x86x426)



H11 | WALL RAIL - W4L17877
(x1) | 1"x3 3/8"x55 7/8" (24x86x1418)



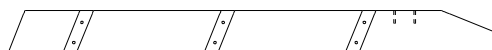
H20 | DECK BRACE - W4L17854
(x8) | 1"x3 3/8"x13" (24x86x330)



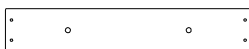
H76 | LADDER RUNG - W4L17855
(x3) | 1"x3 3/8"x18 1/8" (24x86x460)



H79 | LEFT UPRIGHT - W4L17856
(x1) | 1"x3 3/8"x38 3/8" (24x86x976)



H80 | RIGHT UPRIGHT - W4L17857
(x1) | 1"x3 3/8"x38 3/8" (24x86x976)



H110 | ATTACHMENT BOARD - W4L17869
(x1) | 1"x3 3/8"x19 1/4" (24x86x488)



J1 | FLOOR SUPPORT BLOCK - W4L17858
(x3) | 1"x3 3/8"x3 3/8" (24x86x86)



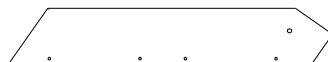
J3 | COUNTER TOP SUPPORT - W4L17859
(x2) | 1"x2 3/8"x9 1/4" (24x60x234)



L1 | FLOOR BOARD - W4L17860
(x1) | 5/8"x4 3/8"x52" (16x112x1321)



L2 | FLOOR BOARD - W4L17861
(x1) | 5/8"x4 3/8"x54 3/8" (16x112x1382)



L3 | GABLE BOARD - W4L17862
(x4) | 5/8"x4 3/8"x25 3/8" (16x112x644)



M1 | GROWTH BOARD - W4L17864
(x1) | 5/8"x3 3/8"x60 1/4" (16x86x1530)



Wood Components (Not to Scale)



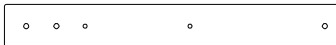
M4 | FLOOR BOARD - W4L17865
(x13) | 5/8"x3 3/8"x56 3/4" (16x86x1442)



M6 | FLOOR BOARD - W4L17843
(x1) | 5/8"x3 3/8"x56 3/4" (16x86x1442)



M7 | WALL BOARD - W4L17844
(x2) | 5/8"x3 3/8"x26 1/2" (16x86x673)



M10 | WALL BOARD - W4L17866
(x1) | 5/8"x3 3/8"x26 1/2" (16x86x673)



M33 | FASCIA BOARD - W4L17867
(x4) | 5/8"x3 3/8"x25 5/8" (16x86x652)



M73 | REAR SUPPORT - W4L17868
(x1) | 5/8"x3 3/8"x19 1/4" (16x86x488)



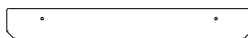
M77 | SLIDE BRACE - W4L13297
(x1) | 5/8"x3 3/8"x14 1/4" (16x86x362)



M78 | SLIDE BRACE - W4L13298
(x1) | 5/8"x3 3/8"x14 1/4" (16x86x362)



N1 | TIE STRAP - W4L17870
(x8) | 5/8"x3 3/8"x3 3/8" (16x86x86)



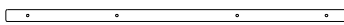
N2 | WINDOW SHELF - W4L17871
(x2) | 5/8"x2 3/8"x19 1/8" (16x60x485)



O1 | PICKET - W4L17872
(x19) | 5/8"x1 3/8"x20 1/2" (16x34x520)



Q1 | COUNTER TOP - W4L17863
(x2) | 1"x4 3/8"x36 3/4" (24x112x934)



S1 | RAIL BOARD - W4L17874
(x2) | 1"x1"x26 3/4" (24x24x679)



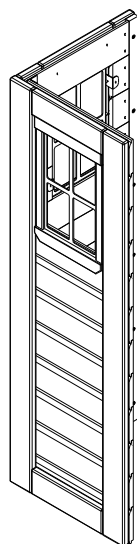
S2 | WINDOW TRIM - W4L17875
(x2) | 1"x1"x21 1/2" (24x24x545)



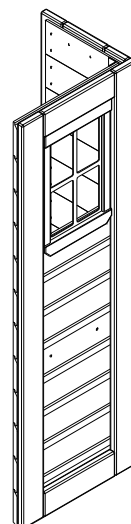
S3 | WINDOW TRIM - W4L17876
(x2) | 1"x1"x23 3/8" (24x24x594)



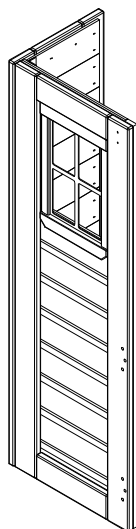
Wood Components (Not to Scale)



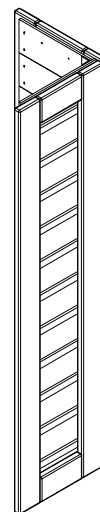
WP1 | FRONT RIGHT CORNER PANEL - W2A03848
(x1)



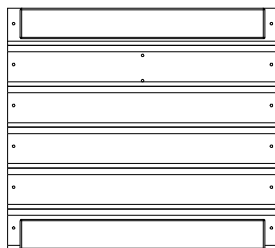
WP2 | REAR RIGHT CORNER PANEL - W2A03851
(x1)



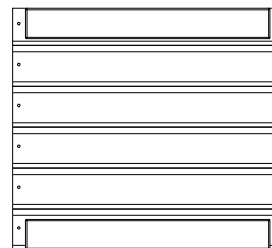
WP3 | FRONT LEFT CORNER PANEL - W2A03854
(x1)



WP4 | REAR LEFT CORNER PANEL - W2A03857
(x1)



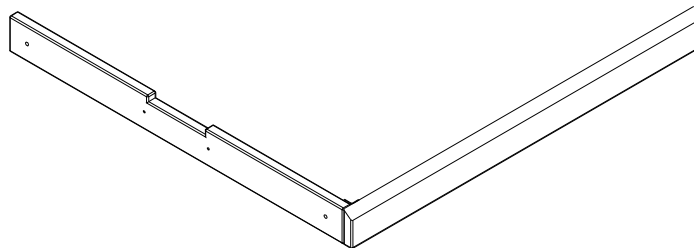
WP5 | REAR CENTER PANEL - W2A03860
(x1) | 1 1/4"x18 7/8"x20 7/8" (32x478x536)



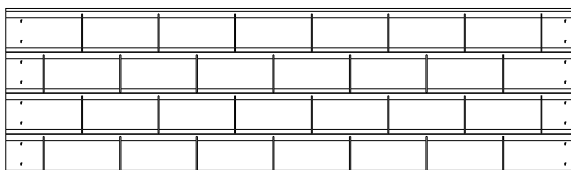
WP6 | LEFT CENTER PANEL - W2A03861
(x1) | 1 1/4"x18 7/8"x20 7/8" (32x478x536)



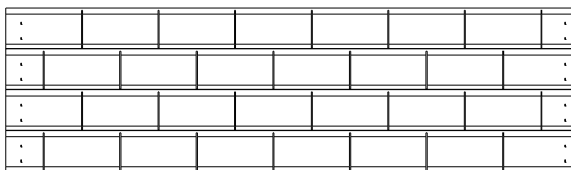
Wood Components (Not to Scale)



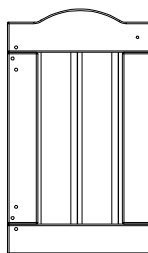
WP8 | HEADER ASSEMBLY - W2A03862
(x2)



RP1 | LOWER ROOF PANEL - W2A03863
(x2) | 1 3/8"x13"x44 7/8" (35x329x1140)



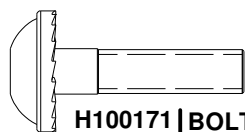
RP2 | UPPER ROOF PANEL - W2A03864
(x2) | 1 3/8"x12 3/4"x44 7/8" (35x324x1140)



DP1 | RIGHT DOOR PANEL - W2A03865
(x1) | 1 1/8"x19 1/8"x11 3/8" (27x486x288)



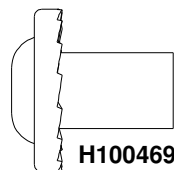
Hardware Components



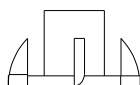
H100171 | BOLT WH BLK
(x6) | 1/4x1



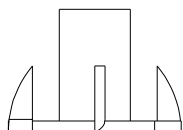
H100399 | NUT BARREL WH BLK
(x4) | 1/4x7/8



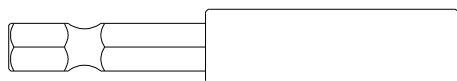
H100469 | NUT BARREL WH BLK
(x7) | 5/16x5/8



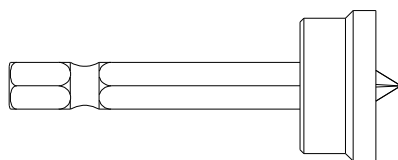
H100398 | T-NUT BLK
(x2) | 1/4



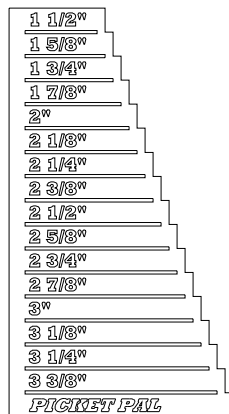
H100379 | T-NUT BLK
(x40) | 5/16



H101100 | MAGNETIC DRIVER
(x1)



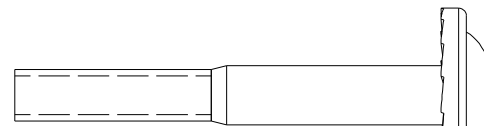
H100764 | SCREW SETTER
(x1)



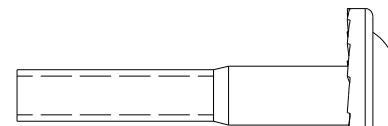
A6P00410 | PICKET PAL
(x1)



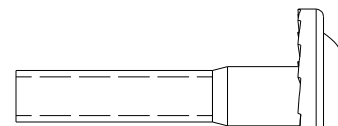
H100484 | BOLT WH BLK
(x3) | 5/16x3 1/4



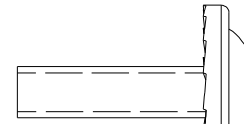
H100205 | BOLT WH BLK
(x14) | 5/16x2-1/4



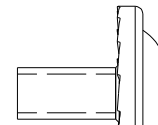
H100378 | BOLT WH BLK
(x10) | 5/16x1 3/4



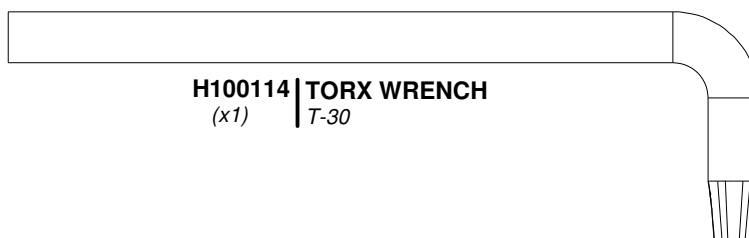
H100407 | BOLT WH BLK
(x6) | 5/16x1 1/2



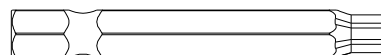
H100468 | BOLT WH BLK
(x4) | 5/16x1



H100396 | BOLT WH BLK
(x10) | 5/16x1/2



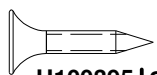
H100114 | TORX WRENCH
(x1) | T-30



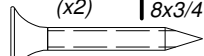
H100147 | TORX BIT
(x1) | T-30



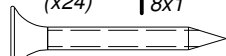
Hardware Components



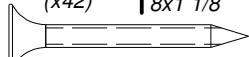
H100395 | SCREW PFH BLK
(x2) | 8x3/4



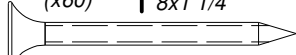
H100385 | SCREW PFH BLK
(x24) | 8x1



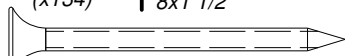
H100380 | SCREW PFH BLK
(x42) | 8x1 1/8



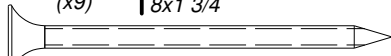
H100387 | SCREW PFH BLK
(x60) | 8x1 1/4



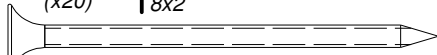
H100200 | SCREW PFH BLK
(x134) | 8x1 1/2



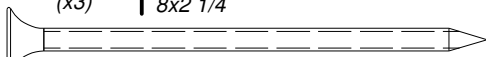
H100382 | SCREW PFH BLK
(x9) | 8x1 3/4



H100391 | SCREW PFH BLK
(x20) | 8x2



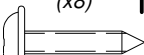
H100483 | SCREW PFH BLK
(x3) | 8x2 1/4



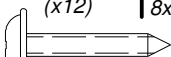
H100201 | SCREW PFH BLK
(x28) | 8x2-1/2



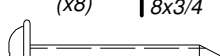
H100408 | SCREW PWH BLK
(x8) | 8x1/2



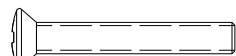
H100202 | SCREW PWH BLK
(x12) | 8x5/8



H100392 | SCREW PWH BLK
(x8) | 8x3/4



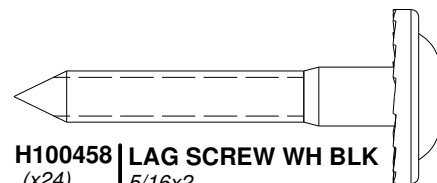
H100797 | SCREW PWH BLK
(x6) | 8x1



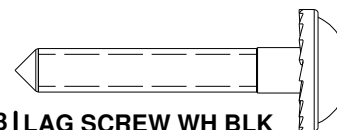
H100806 | SCREW POH BLK
(x12) | 8/32x1 1/8



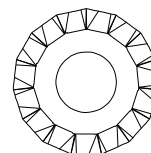
H100804 | T-NUT
(x12) | 8/32



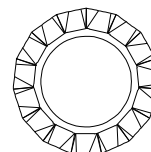
H100458 | LAG SCREW WH BLK
(x24) | 5/16x2



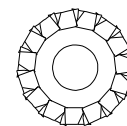
H100403 | LAG SCREW WH BLK
(x10) | 1/4x1 1/2



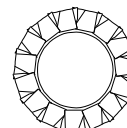
H100198 | WASHER LOCK EXT BLK
(x57) | 8x19



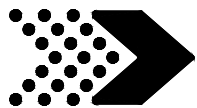
H100199 | WASHER LOCK EXT BLK
(x7) | 12x19



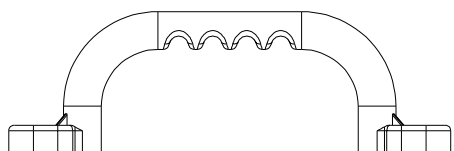
H100405 | WASHER LOCK EXT BLK
(x16) | 6x15



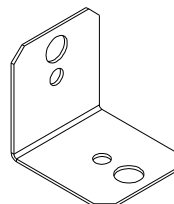
H100400 | WASHER LOCK EXT BLK
(x4) | 8x15



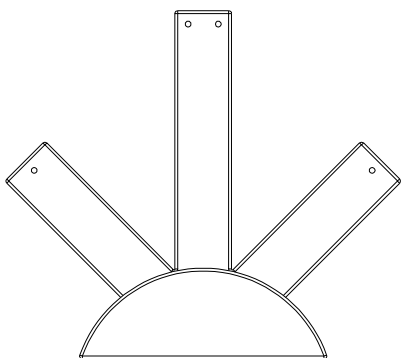
Accessory Components (Not to Scale)



A100028 | HAND GRIP GREEN PLASTIC
(x2)



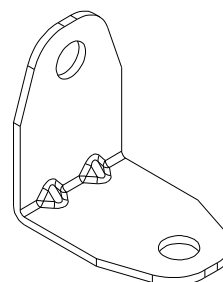
A4M00555 | 90° L-BRACKET - BLK
(x8)



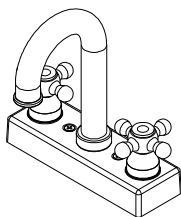
A100361 | PLASTIC SUNBURST
(x2)



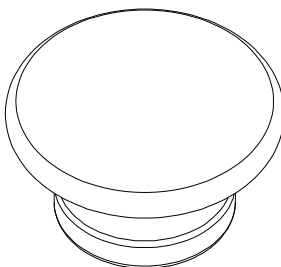
A4M00528 | BYD ID TAG (MEDIUM) AGES 2 TO 10
(x1)



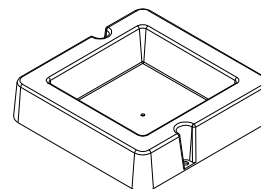
A4M01047 | L BRACKET 2.5x38x55x55
(x3)



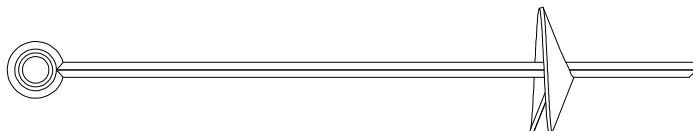
A6P00024 | FAUCET KIT
(x1)



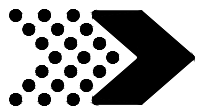
A6P00067 | KNOB - BLK
(x1)



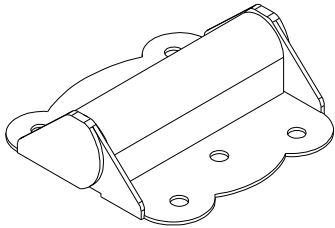
A6P00032 | SURFACE MOUNT BASIN
(x1)



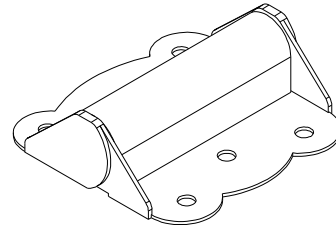
A100178 | AUGER GROUND STAKE
(x4)



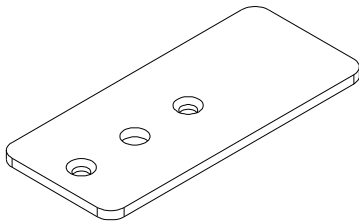
Accessory Components (Not to Scale)



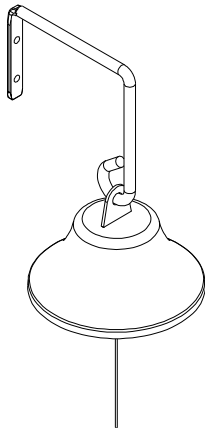
A4M00624 | HINGE (DOOR, SPRING LOADED)
(x1)



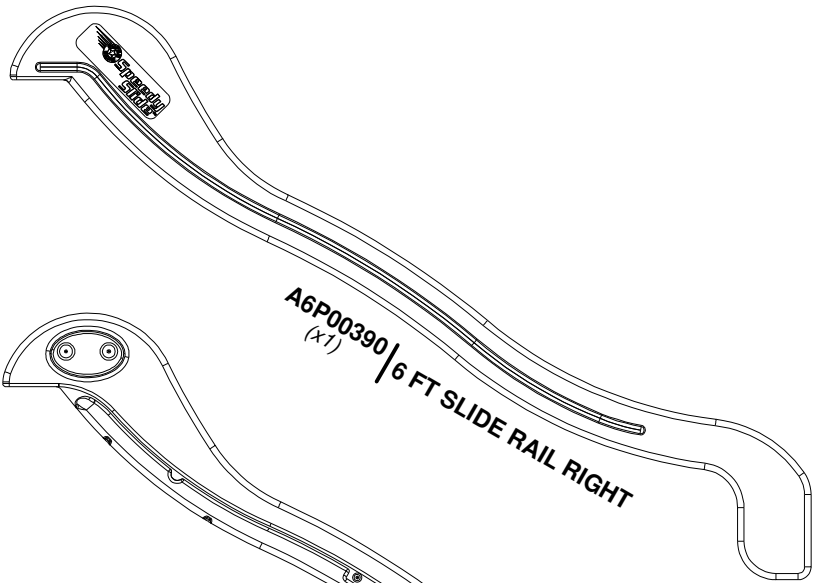
A4M00994 | HINGE (DOOR, NON-SPRING LOADED)
(x1)



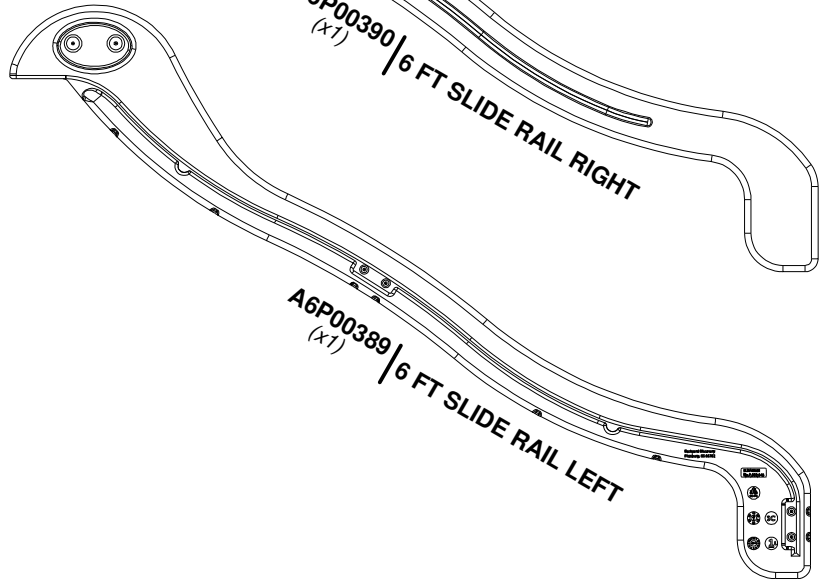
A4M00933 | DOOR STOP
(x1)



A4M01045 | BELL ASSEMBLY
(x1)



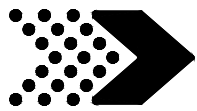
A6P00390 | 6 FT SLIDE RAIL RIGHT
(x1)



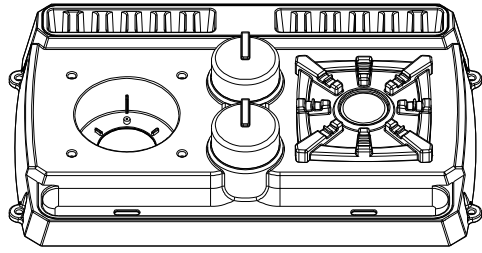
A6P00389 | 6 FT SLIDE RAIL LEFT
(x1)



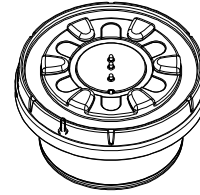
A6P00391 | 6 FT SLIDE BED
(x1)



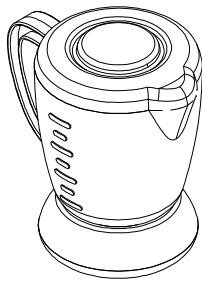
Accessory Components (Not to Scale)



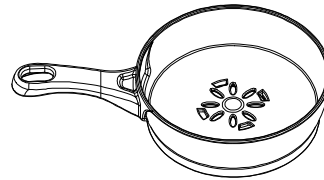
A6P00335 | STOVE BASE
(x1)



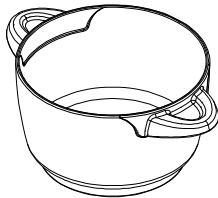
A6P00330 | INDUCTIVE BURNER KIT
(x1)



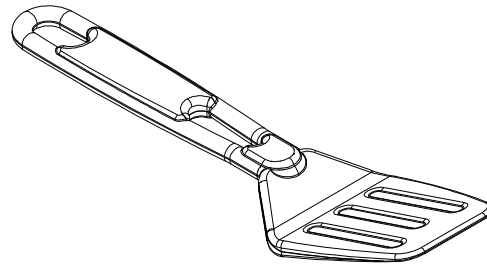
A6P00331 | BLENDER
(x1)



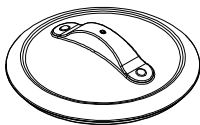
A6P00338 | FRY PAN
(x1)



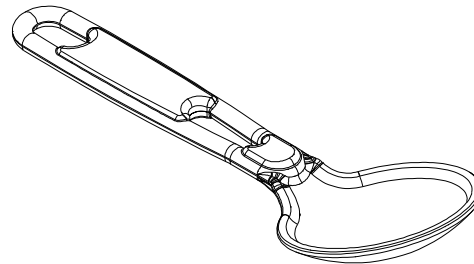
A6P00336 | BOIL POT
(x1)



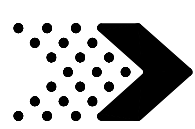
A6P00339 | SPATULA
(x1)



A6P00337 | POT/PAN LID
(x2)



A6P00340 | LADLE
(x1)



CLASS B DIGITAL DEVICE STATEMENT

Note:

This equipment has been tested and found to comply with the limits for a Class B digital device, pursuant to part 15 of the FCC Rules. These limits are designed to provide reasonable protection against harmful interference in a residential installation. This equipment generates, uses and can radiate radio frequency energy and, if not installed and used in accordance with the instructions, may cause harmful interference to radio communications. However, there is no guarantee that interference will not occur in a particular installation. If this equipment does cause harmful interference to radio or television reception, which can be determined by turning the equipment off and on, the user is encouraged to try to correct the interference by one or more of the following measures:

- Reorient or relocate the receiving antenna.
- Increase the separation between the equipment and receiver.
- Connect the equipment into an outlet on a circuit different from that to which the receiver is connected.
- Consult the dealer or an experienced radio/TV technician for help

Caution: Changes or modifications not expressly approved by the party responsible for compliance could void the user's authority to operate the equipment.

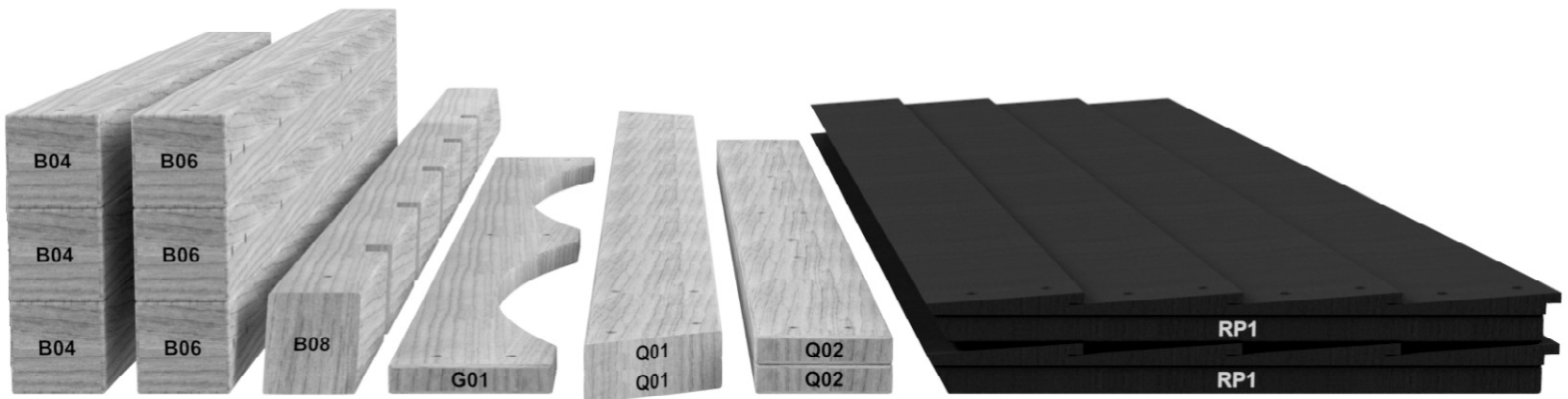
PRE-ASSEMBLY STEP 1 - SORTING PARTS

It is critical for ease of assembly that you take the time to sort and organize the wood and hardware.

WOOD PARTS:

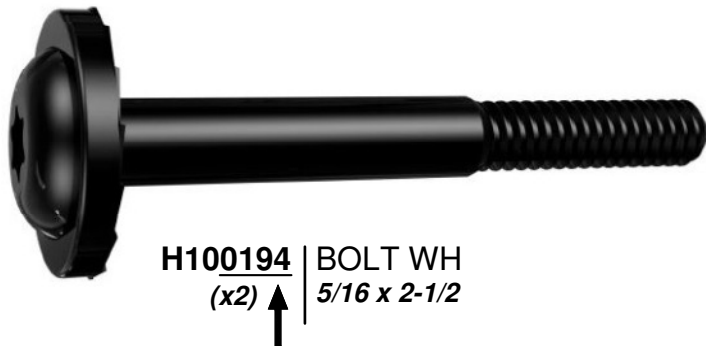
- Organize wood parts by the three-digit, alpha-numeric number stamped on each board (ex. P01).
- If there are multiple boards with the same stamped number, stack those pieces together.
- Stamps can be found on the flat surface of the boards or on the end of the boards.
- Allow yourself plenty of room - the wood pieces can take up a significant amount of space.

NOTE: CARTONS ARE NOT ORGANIZED BY BOARD NUMBER.



HARDWARE PARTS:

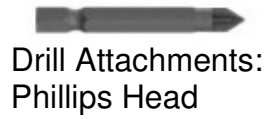
- We recommend that you have a separate table to organize the hardware.
- Hardware bags are printed with a seven-digit, alpha-numeric part number.
- You can organize your hardware by part number or group by hardware type (i.e. bolts, nuts, etc.).
- During assembly you only need to reference the last four digits of the number.



PRE-ASSEMBLY STEP 2 - TOOLS REQUIRED



Cordless Drill or
Electric Drill



Drill Attachments:
Phillips Head



1/8", 3/16", 3/8" & 7/16"
Drill Bits



Phillips Screw Driver



Open End Wrenches 1/2" & 9/16"



3/8" Drive Ratchet, 1/2" &
9/16" STD Sockets 1/2" & 9/16"
Deep Sockets



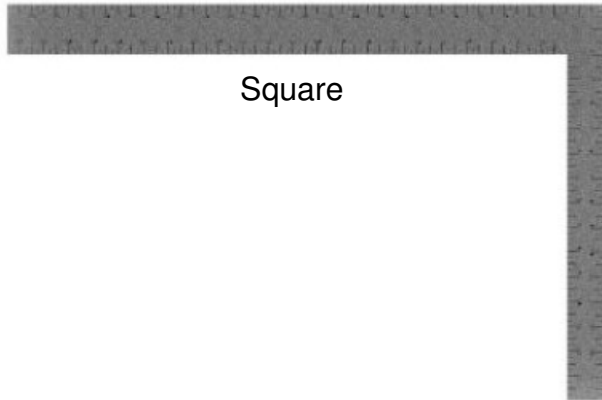
Claw Hammer



Rubber Mallet - Optional



Tape Measure



Square





Level 24"

PRE-ASSEMBLY STEP 3 - CHOOSE YOUR ASSEMBLY METHOD

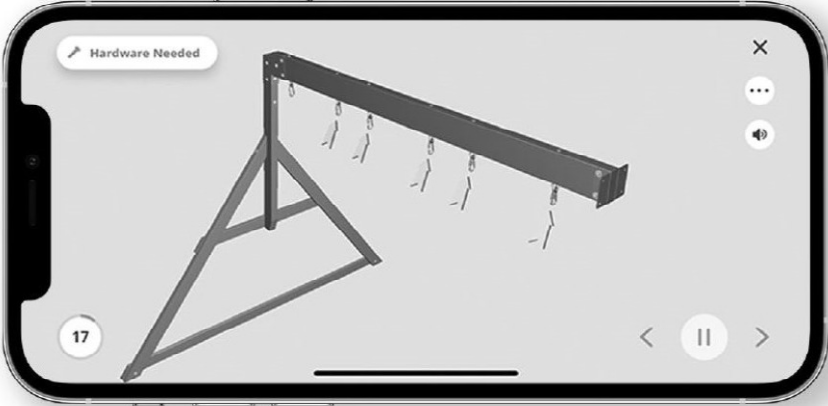


There are several types of assembly instructions available to you.

1. Printed Assembly Manual included with your set
2. BILT APP - 3D interactive instructions
3. Combination of the Printed Manual and BILT APP (Note: Step numbers can differ between the two methods)



Scan for easy 3D instructions

Download the BILT app
before you begin



The image shows a smartphone screen displaying the BILT app interface. The screen features a 3D assembly diagram of a structure with a horizontal beam and a triangular support. The interface includes a 'Hardware Needed' button at the top left, a close button (X) at the top right, a menu button (three dots) and a volume icon below it, and a page number '17' in a circle at the bottom left. At the bottom center, there are navigation arrows and a pause button.



SLIDE ASSEMBLY

STEP 1



A6P00391 | 6 FT SLIDE BED
(1)



M77 | SLIDE BRACE - W4L13297
(1) | 5/8"x3 3/8"x14 1/4" (16x86x362)



H100396 | BOLT WH BLK
(2) | 5/16x1/2

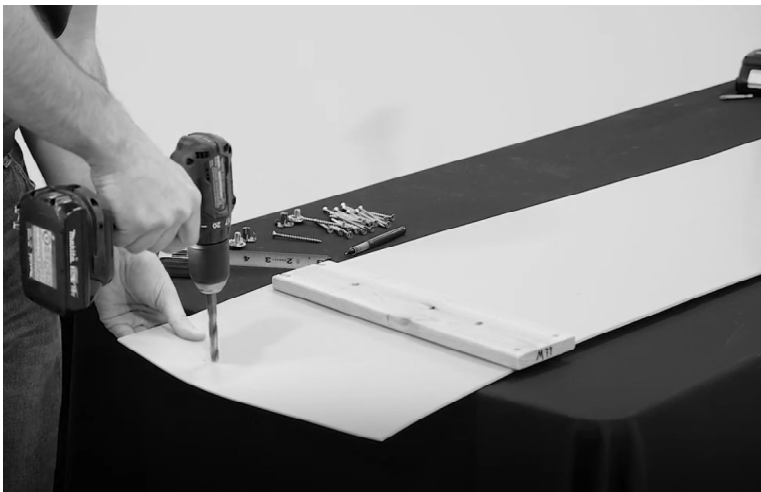
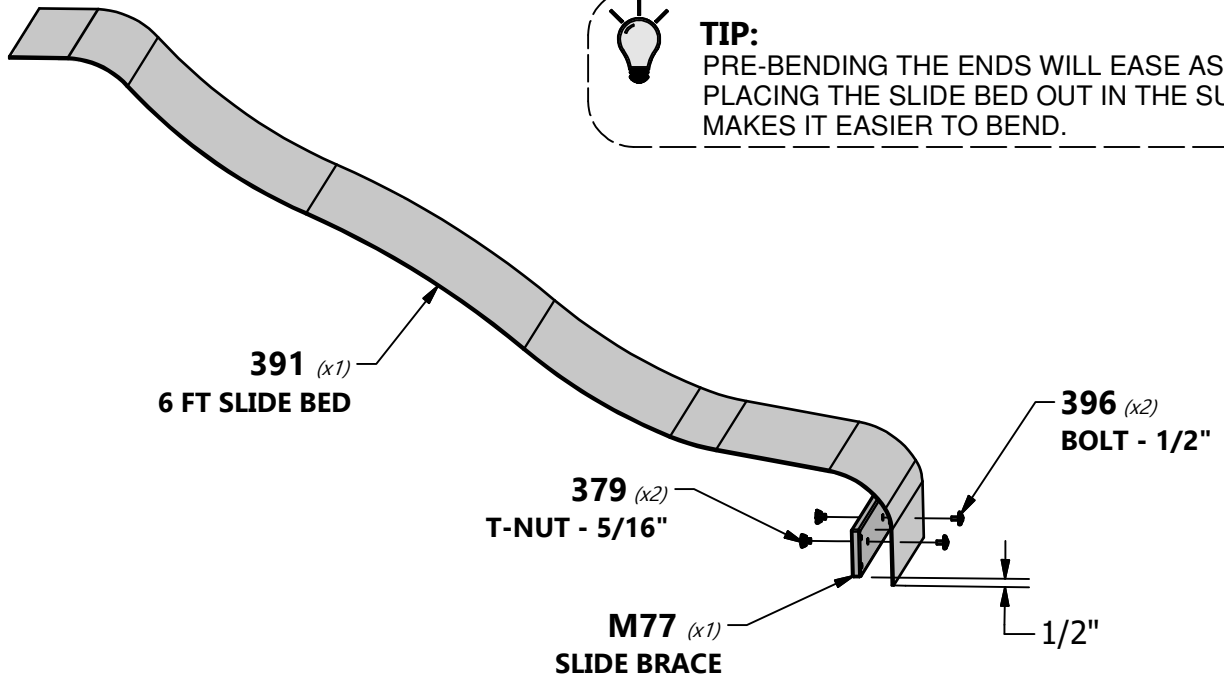


H100379 | T-NUT BLK
(2) | 5/16

PLACE 'M77' SLIDE BRACE BOARD 1/2" FROM THE BOTTOM EDGE OF THE SLIDE BED. USING THE BOARD AS A TEMPLATE, MARK WHERE THE PILOT HOLES WILL BE DRILLED. USE A 3/8" DRILL BIT TO DRILL THE PILOT HOLES INTO THE SLIDE BED. ATTACH THE SLIDE BED SUPPORT BOARD USING THE HARDWARE PROVIDED.



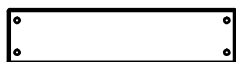
TIP:
PRE-BENDING THE ENDS WILL EASE ASSEMBLY. PLACING THE SLIDE BED OUT IN THE SUN MAKES IT EASIER TO BEND.





SLIDE ASSEMBLY

STEP 2



M78 | SLIDE BRACE - W4L13298
(1) 5/8"x3 3/8"x14 1/4" (16x86x362)



A6P00390 | 6 FT SLIDE RAIL RIGHT
(1)



A6P00389 | 6 FT SLIDE RAIL LEFT
(1)



H100201 | SCREW PFH BLK
(16) 8x2-1/2



NOTE:

1. PLACE THE SLIDE RAIL ON FLAT SURFACE. STARTING AT THE BOTTOM, INSERT THE SLIDE BED INTO THE CHANNEL ON THE INSIDE OF THE RAIL. HOLD THE SLIDE BED IN PLACE WHILE A HELPER BENDS THE SLIDE BED INTO THE CHANNEL. MAKE SURE THE SLIDE BED IS COMPLETELY INSERTED INTO THE CHANNEL. SEE VIEWING WINDOW BELOW.
2. INSERT THE TWO CENTER SLIDE BRACES INTO THEIR RESPECTIVE LOCATIONS.
3. USE A 1/8" DRILL BIT, DRILL PILOT HOLES IN EACH INDENTATION ALONG EACH SIDE RAIL. THERE SHOULD BE 12 INDENTIONS ON EACH RAIL. BE SURE TO DRILL THROUGH THE SLIDE RAIL AND THE SLIDE BED. THEN SECURE WITH THE PROVIDED HARDWARE.

REPEAT THIS PROCESS FOR THE OPPOSITE SLIDE RAIL.

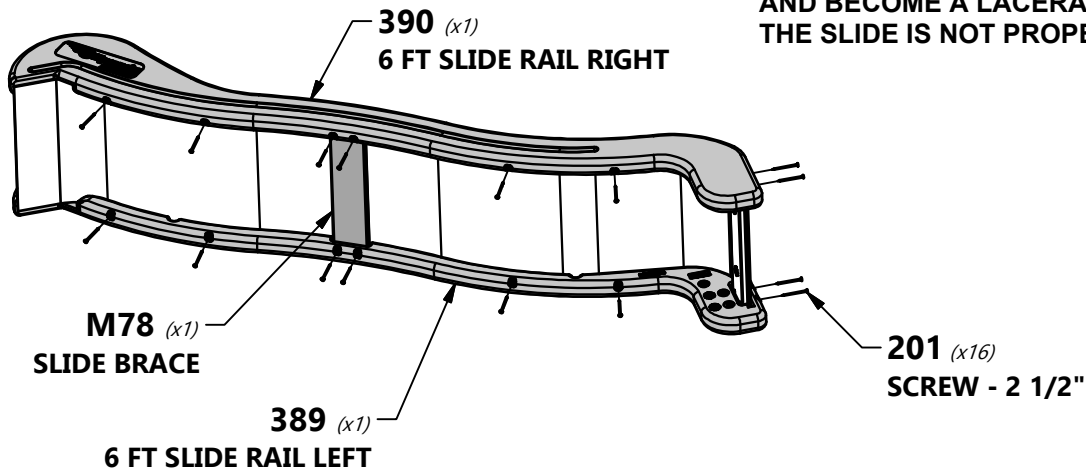


TIP:

A HELPER IS REQUIRED FOR THIS STEP.



FAILURE TO INSERT SLIDE BED COMPLETELY AND SECURED BY SCREWS MAY RESULT IN INJURY OR AMPUTATION. EXPOSED SLIDE EDGES CAN BE SHARP AND BECOME A LACERATION HAZARD IF THE SLIDE IS NOT PROPERLY ASSEMBLED.



VIEWING WINDOW





LADDER ASSEMBLY

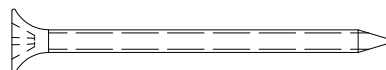
STEP 1



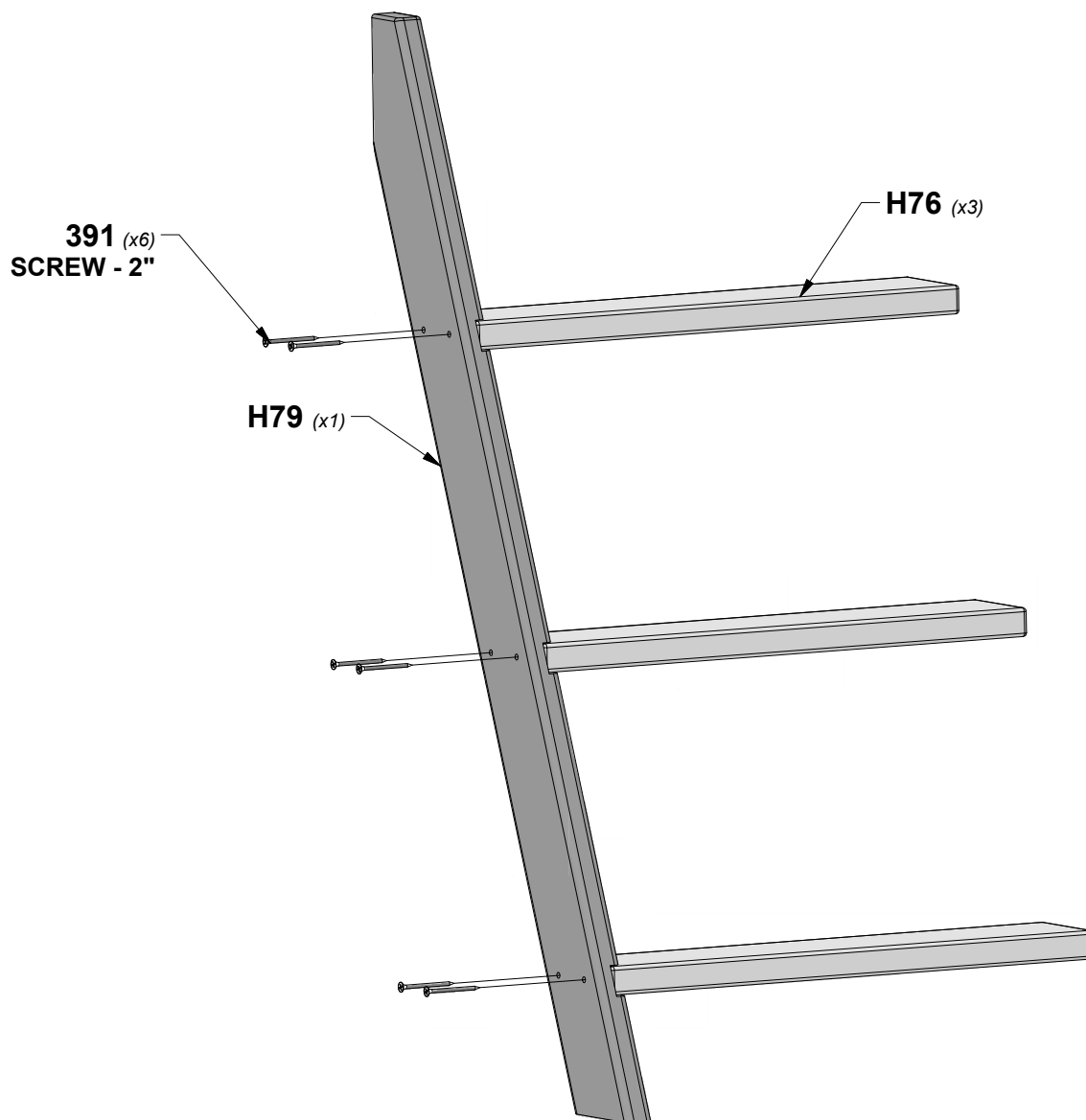
H79 | LEFT UPRIGHT - W4L17856
(x1) | 1"x3 3/8"x38 3/8" (24x86x976)

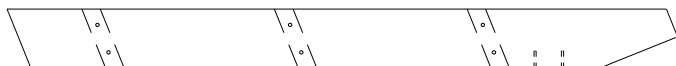


H76 | LADDER RUNG - W4L17855
(X3) | 1"x3 3/8"x18 1/8" (24x86x460)

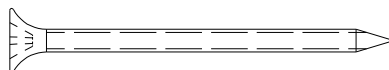


H100391 | SCREW PFH BLK
(x6) | 8x2

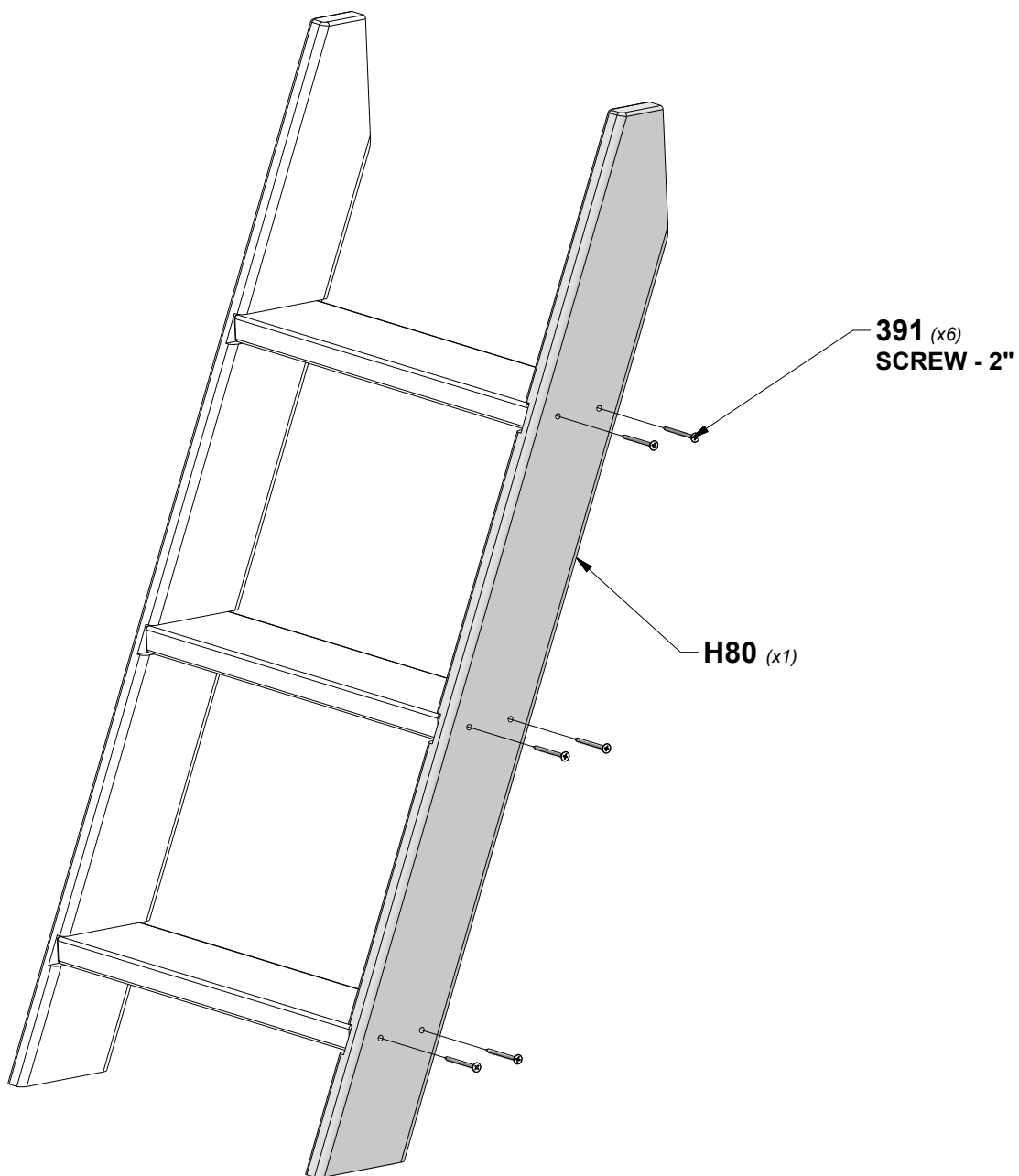




H80 | RIGHT UPRIGHT - W4L17857
(x1) | 1"x3 3/8"x38 3/8" (24x86x976)

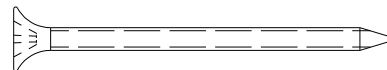


H100391 | SCREW PFH BLK
(x6) | 8x2

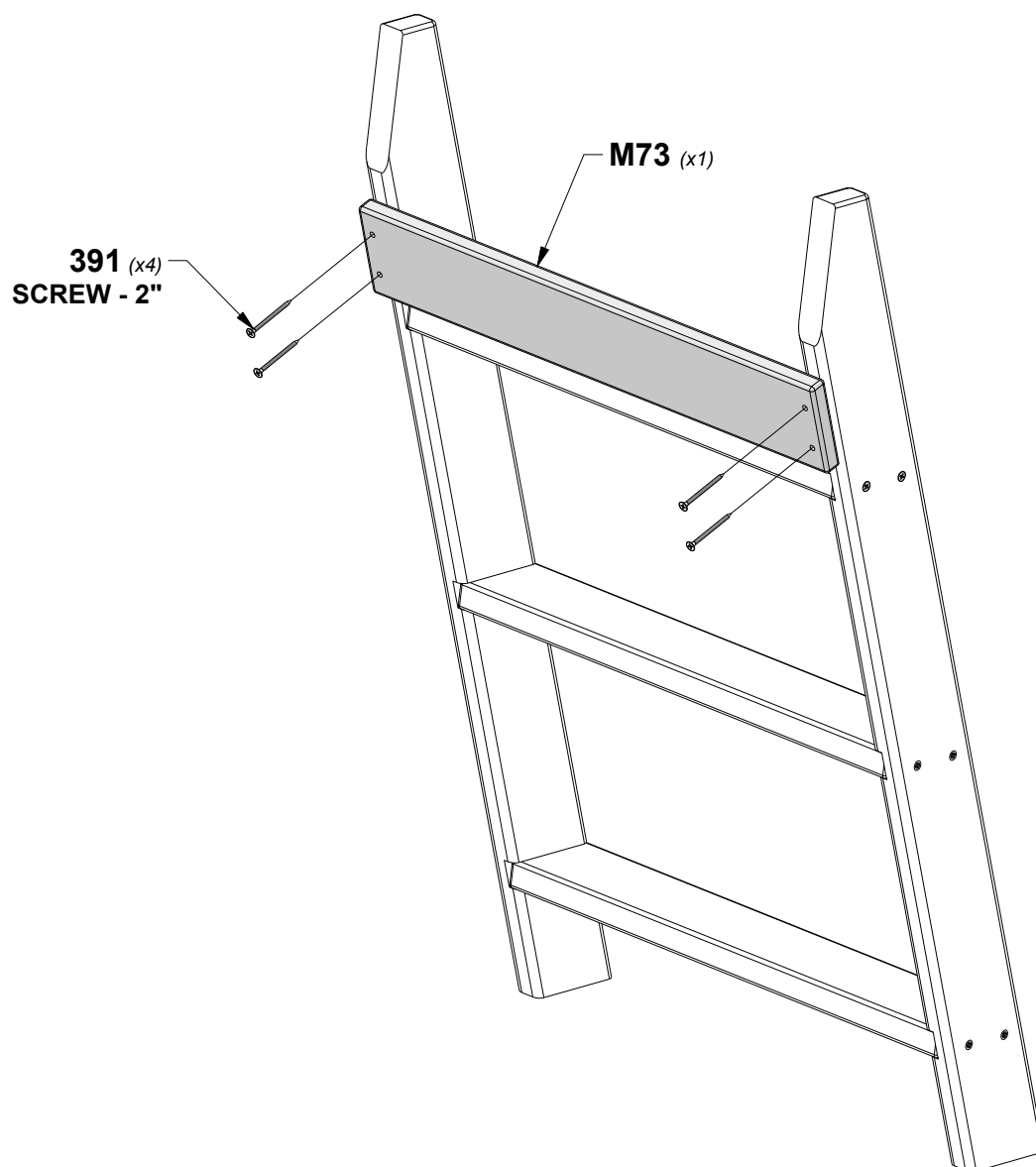




M73 | REAR SUPPORT - W4L17868
(x1) | 5/8"x3 3/8"x19 1/4" (16x86x488)



H100391 | SCREW PFH BLK
(x4) | 8x2



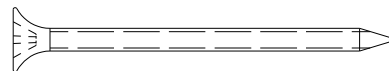


LADDER ASSEMBLY

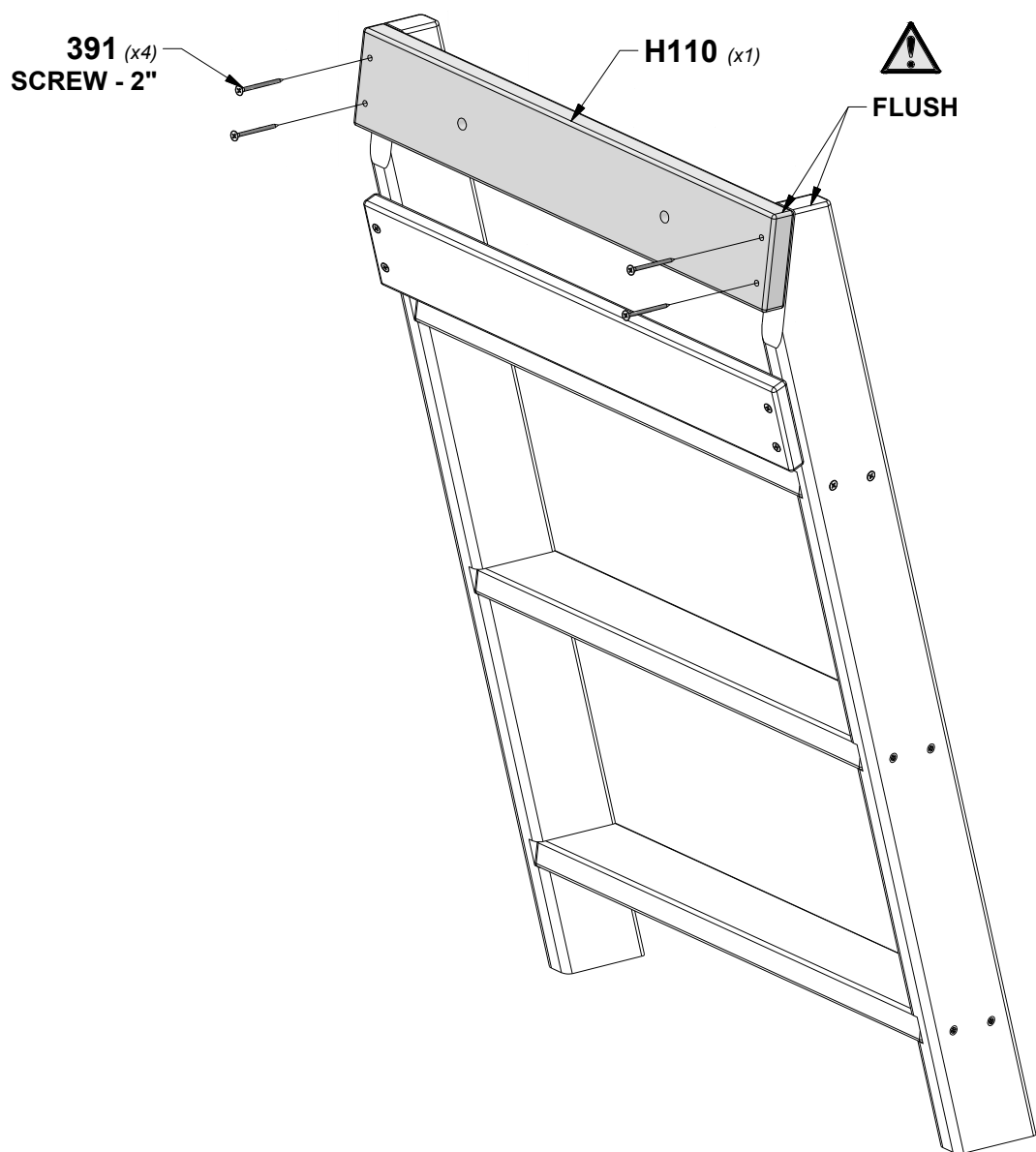
STEP 4

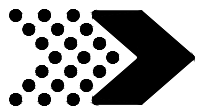


H110 | ATTACHMENT BOARD - W4L17869
(x1) | 1"x3 3/8"x19 1/4" (24x86x488)



H100391 | SCREW PFH BLK
(x4) | 8x2





DECK ASSEMBLY

STEP 1

E1 LEFT FRONT UPRIGHT - W4L17837
(x1) | 1 3/8"x3 3/8"x62 3/8" (36x86x1584)

H2 FLOOR RAIL - W4L17846
(x1) | 1"x3 3/8"x54 7/8" (24x86x1394)

J1 FLOOR SUPPORT BLOCK - W4L17858
(x1) | 1"x3 3/8"x3 3/8" (24x86x86)

E4 LEFT REAR UPRIGHT - W4L17840
(x1) | 1 3/8"x3 3/8"x35" (36x86x889)

G2 GROUND BOARD - W4L17842
(x1) | 1"x5 1/4"x54 7/8" (24x134x1394)



H100484 BOLT WH BLK
(x1) | 5/16x3 1/4



H100205 BOLT WH BLK
(x5) | 5/16x2-1/4



H100483 SCREW PFH BLK
(x1) | 8x2 1/4



H100198 WASHER LOCK EXT BLK
(x6) | 8x19

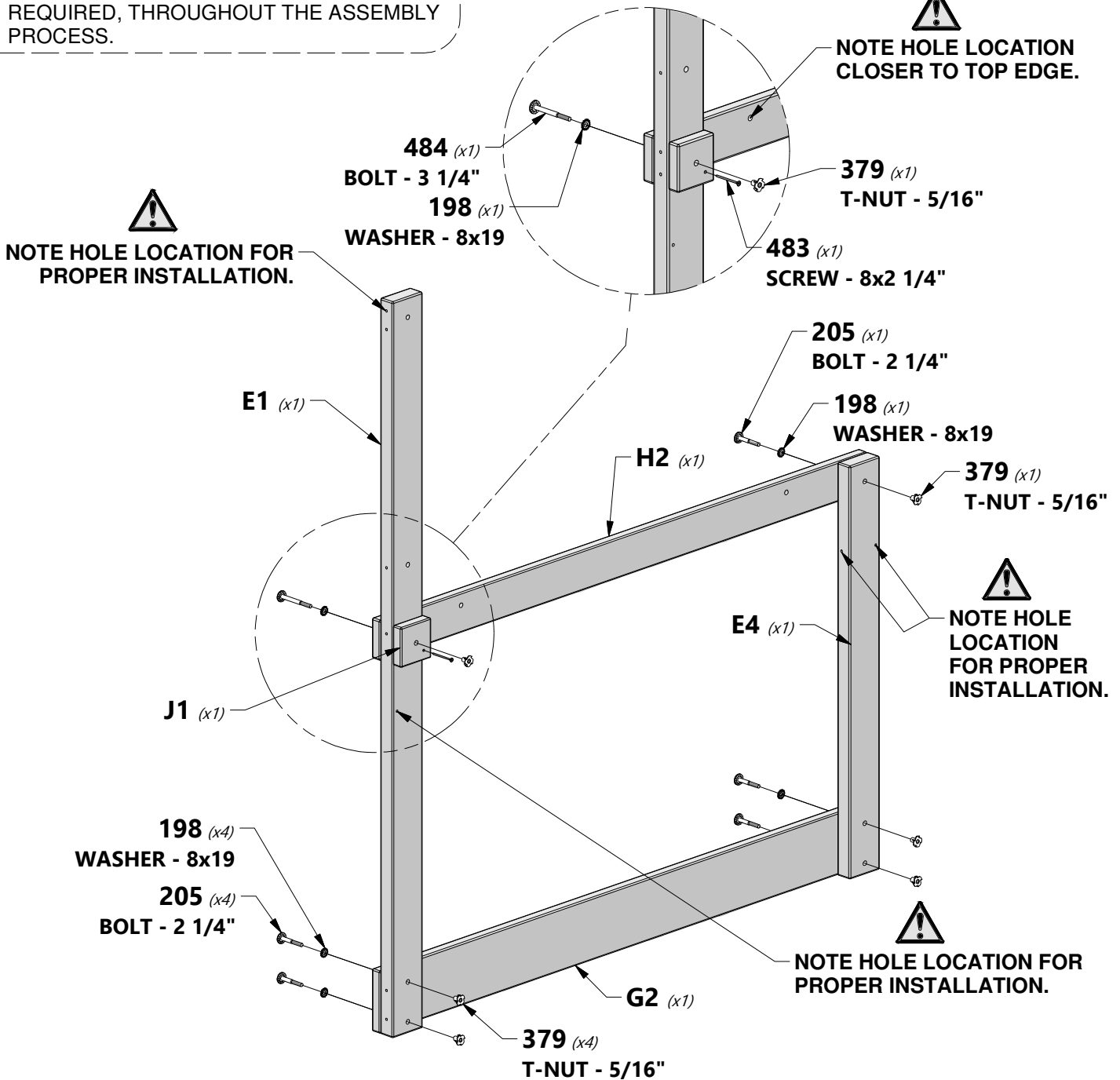


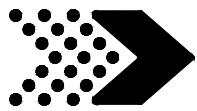
H100379 T-NUT BLK
(x6) | 5/16



NOTE:

WE RECOMMEND THAT YOU INSTALL ALL "T-NUTS" FIRST, WHEN A "T-NUT" IS REQUIRED, THROUGHOUT THE ASSEMBLY PROCESS.





DECK ASSEMBLY

STEP 2



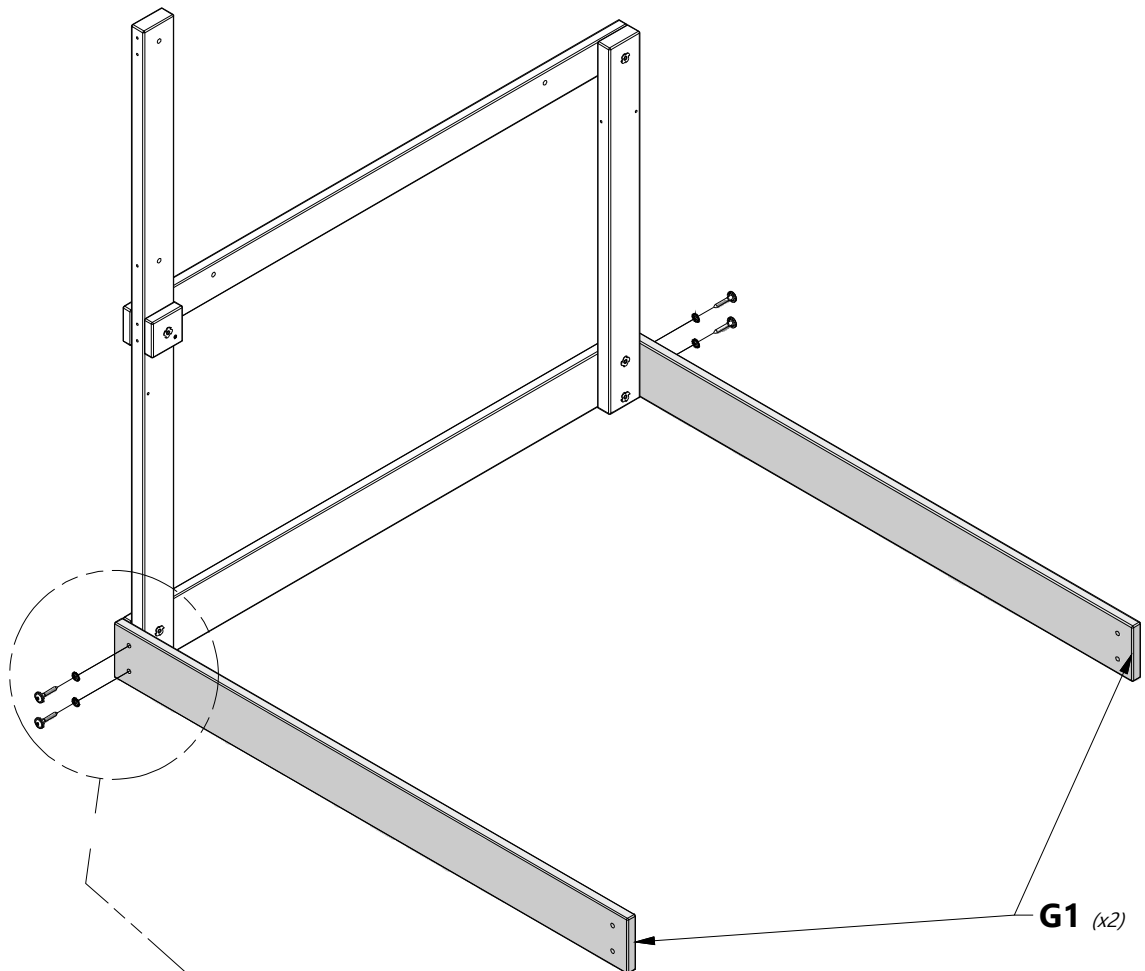
G1 | GROUND BOARD - W4L17841
(x2) | 1"x5 1/4"x56 3/4" (24x134x1442)



H100458 | LAG SCREW WH BLK
(x4) | 5/16x2

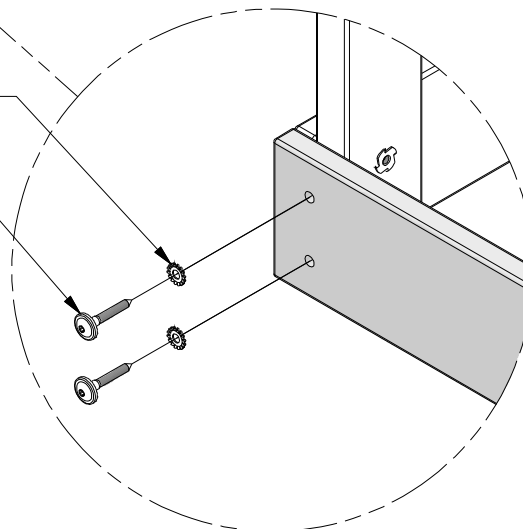


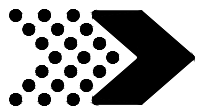
H100198 | WASHER LOCK EXT BLK
(x4) | 8x19



198 (x4)
WASHER - 8x19

458 (x4)
LAG SCREW - 2"





DECK ASSEMBLY

STEP 3

E2 | RIGHT FRONT UPRIGHT - W2A03762
(x1) | 1 3/8"x3 3/8"x62 3/8" (36x86x1584)

H4 | FLOOR RAIL - W4L17847
(x1) | 1"x3 3/8"x54 7/8" (24x86x1394)

J1 | FLOOR SUPPORT BLOCK - W4L17858
(x2) | 1"x3 3/8"x3 3/8" (24x86x86)

E3 | RIGHT REAR UPRIGHT - W4L17839
(x1) | 1 3/8"x3 3/8"x62 3/8" (36x86x1584)

G2 | GROUND BOARD - W4L17842
(x1) | 1"x5 1/4"x54 7/8" (24x134x1394)



H100484 | BOLT WH BLK
(x2) | 5/16x3 1/4



H100205 | BOLT WH BLK
(x4) | 5/16x2-1/4



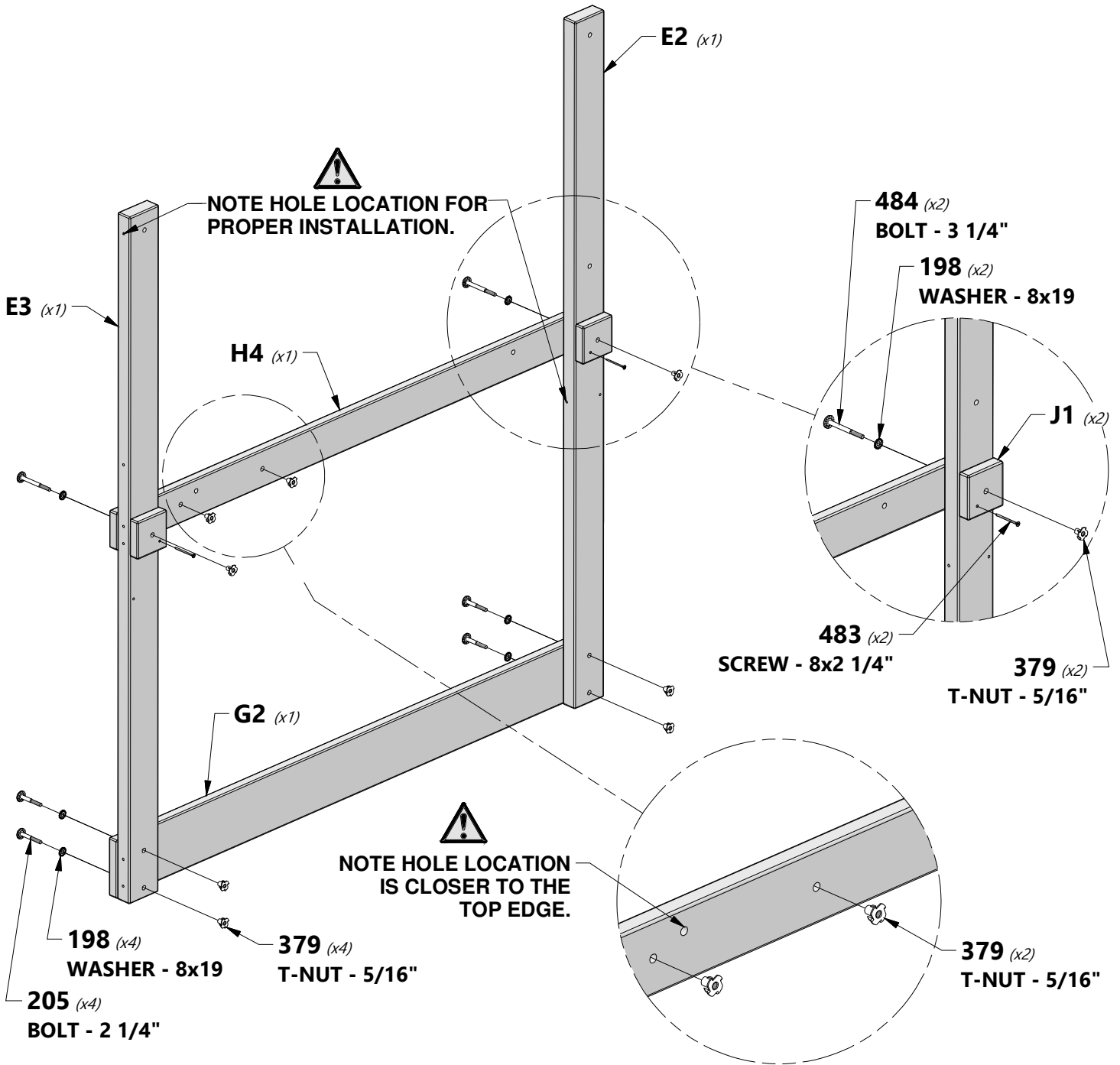
H100483 | SCREW PFH BLK
(x2) | 8x2 1/4

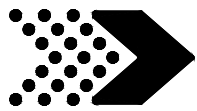


H100198 | WASHER LOCK EXT BLK
(x6) | 8x19



H100379 | T-NUT BLK
(x8) | 5/16

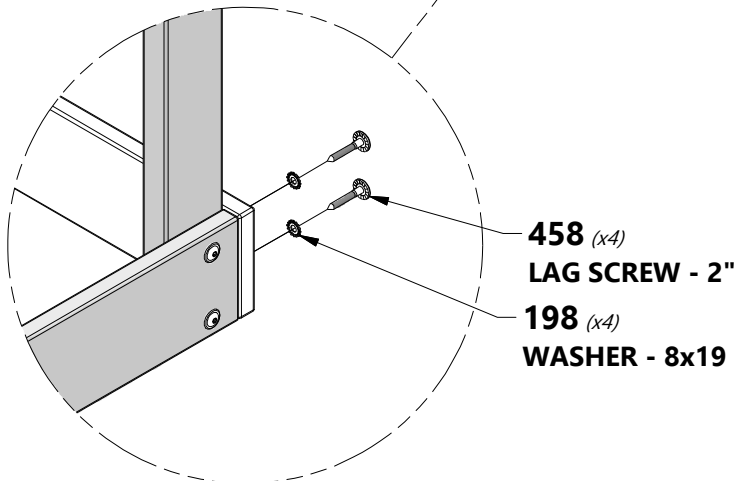
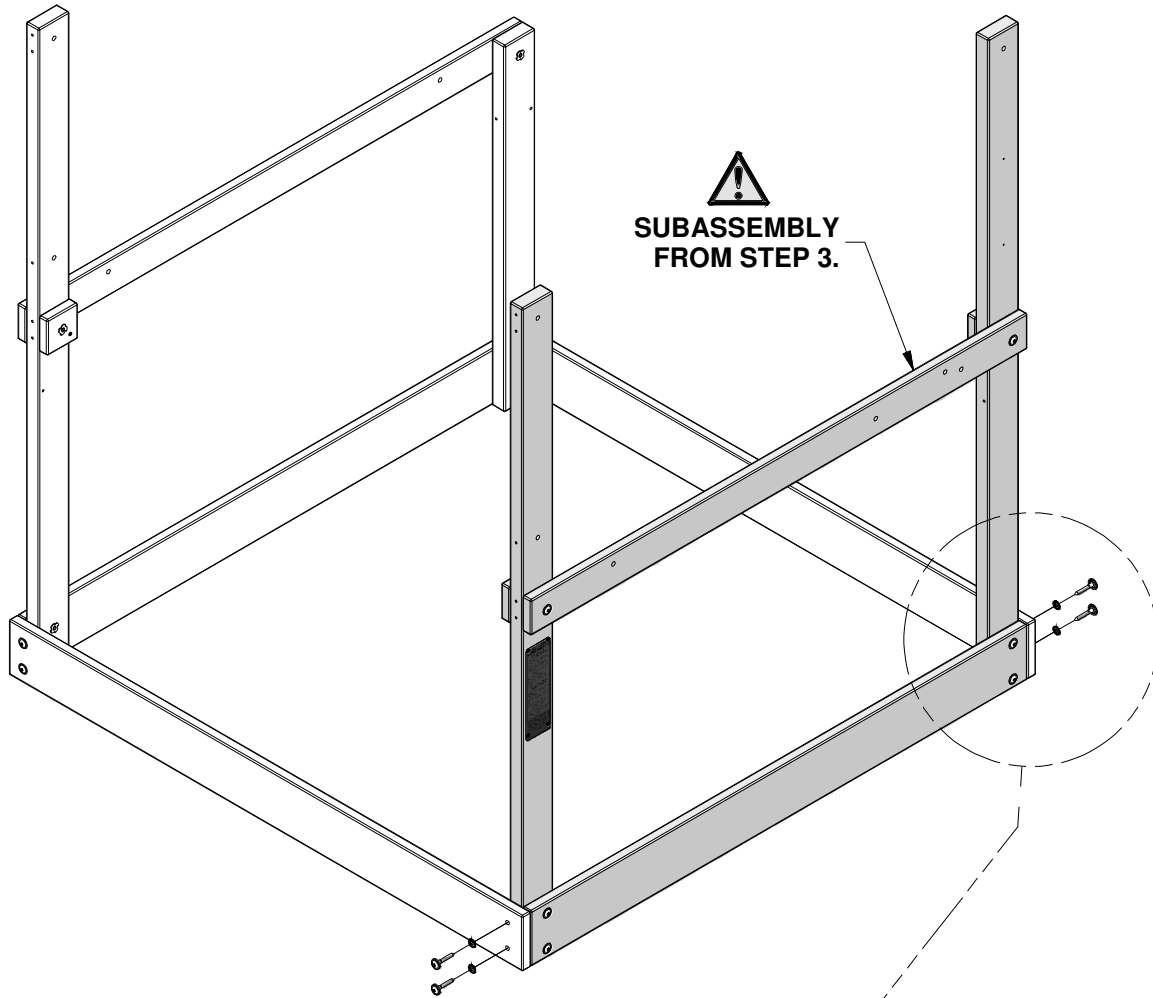


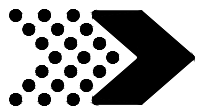


H100458 | LAG SCREW WH BLK
(x4) | 5/16x2



H100198 | WASHER LOCK EXT BLK
(x4) | 8x19





DECK ASSEMBLY

STEP 5



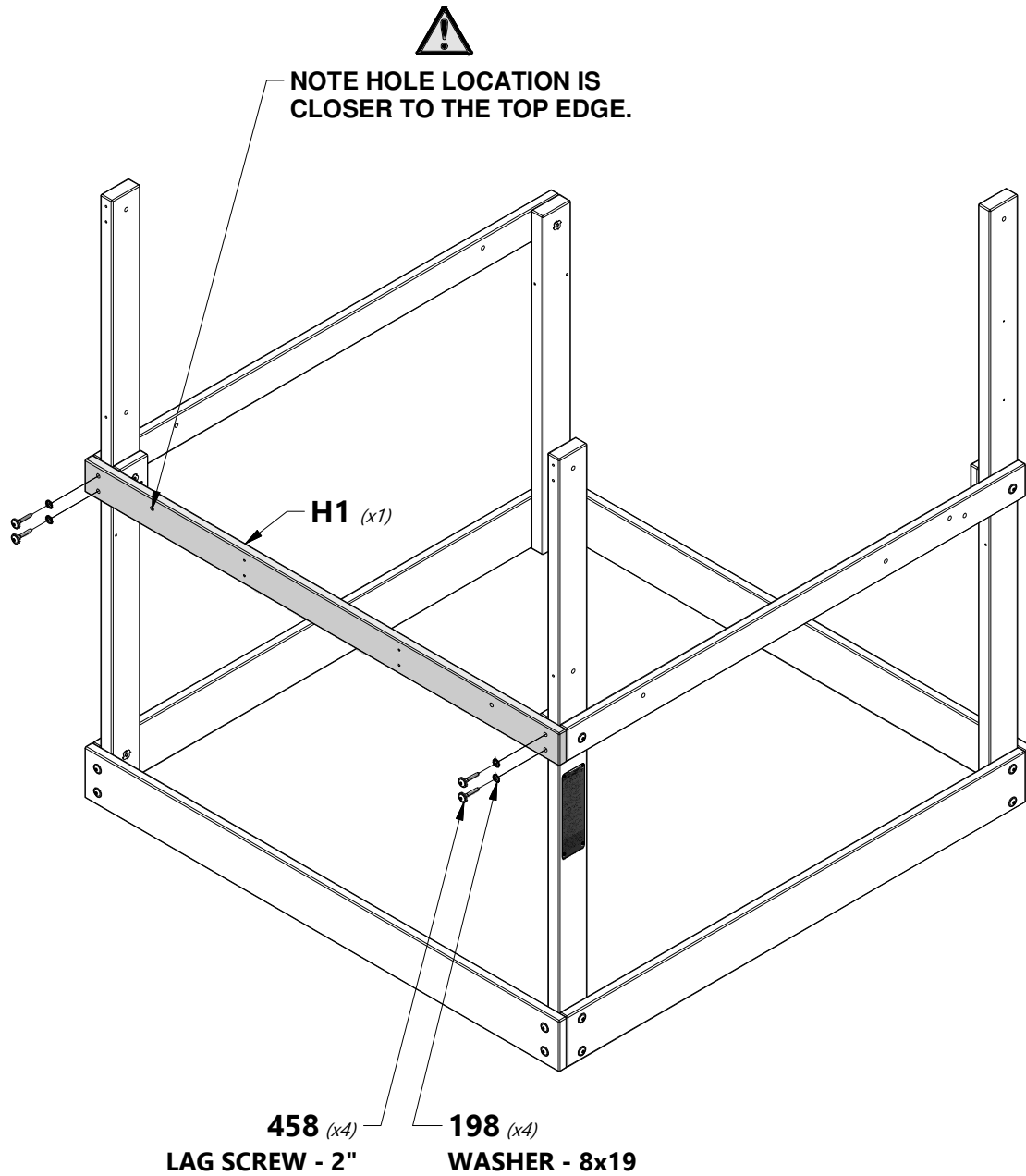
H1 | FLOOR RAIL - W4L17845
(x1) | 1"x3 3/8"x56 3/4" (24x86x1442)

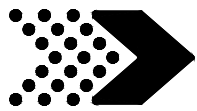


H100458 | LAG SCREW WH BLK
(x4) | 5/16x2



H100198 | WASHER LOCK EXT BLK
(x4) | 8x19





DECK ASSEMBLY

STEP 6



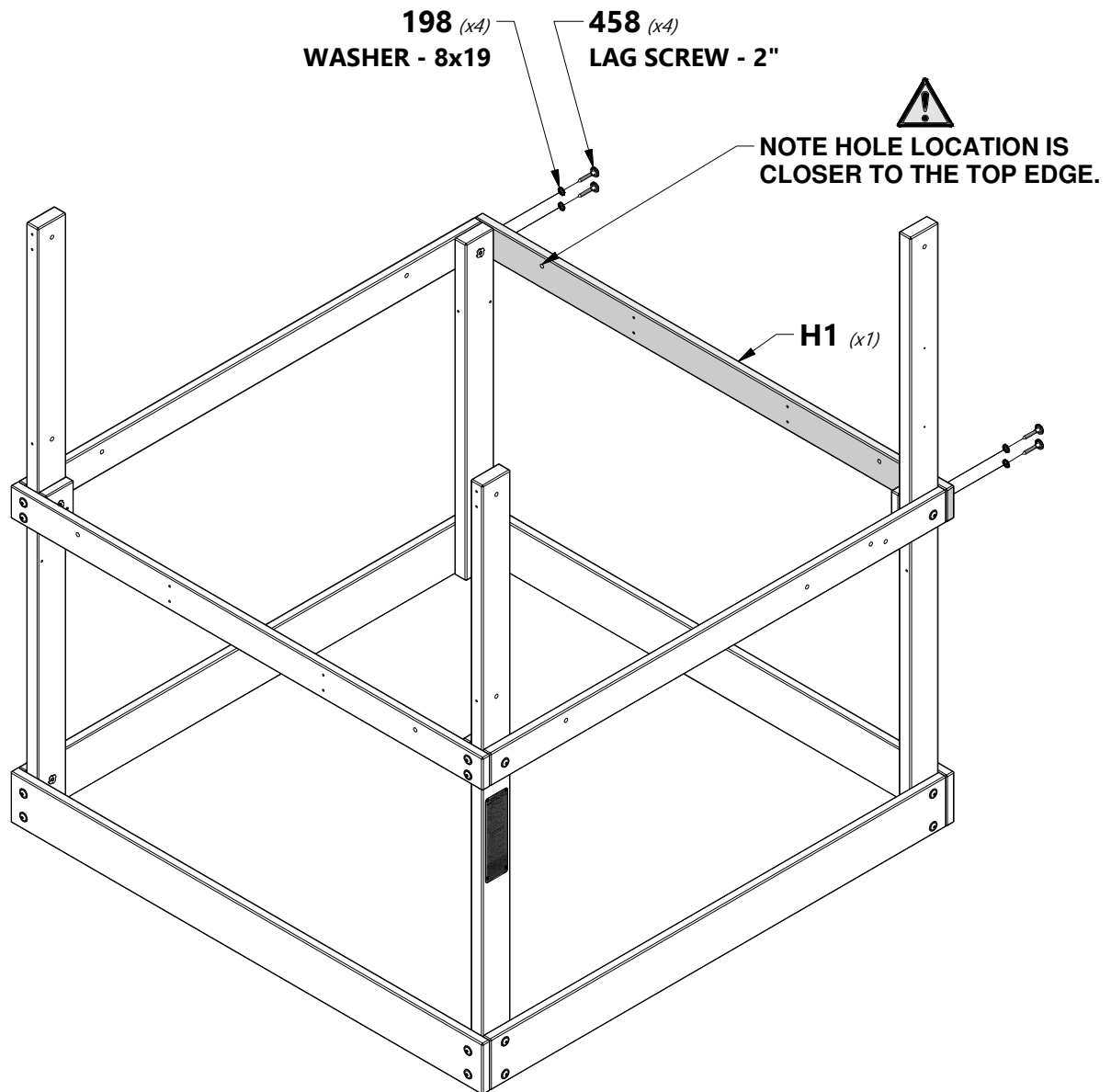
H1 | FLOOR RAIL - W4L17845
(x1) | 1"x3 3/8"x56 3/4" (24x86x1442)

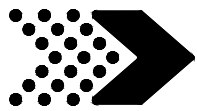


H100458 | LAG SCREW WH BLK
(x4) | 5/16x2



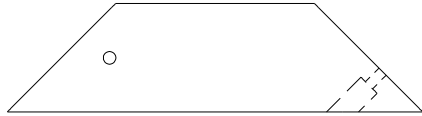
H100198 | WASHER LOCK EXT BLK
(x4) | 8x19





DECK ASSEMBLY

STEP 7



H20 | DECK BRACE - W4L17854
(x8) | 1"x3 3/8"x13" (24x86x330)



H100378 | BOLT WH BLK
(x8) | 5/16x1 3/4



H100198 | WASHER LOCK EXT BLK
(x8) | 8x19



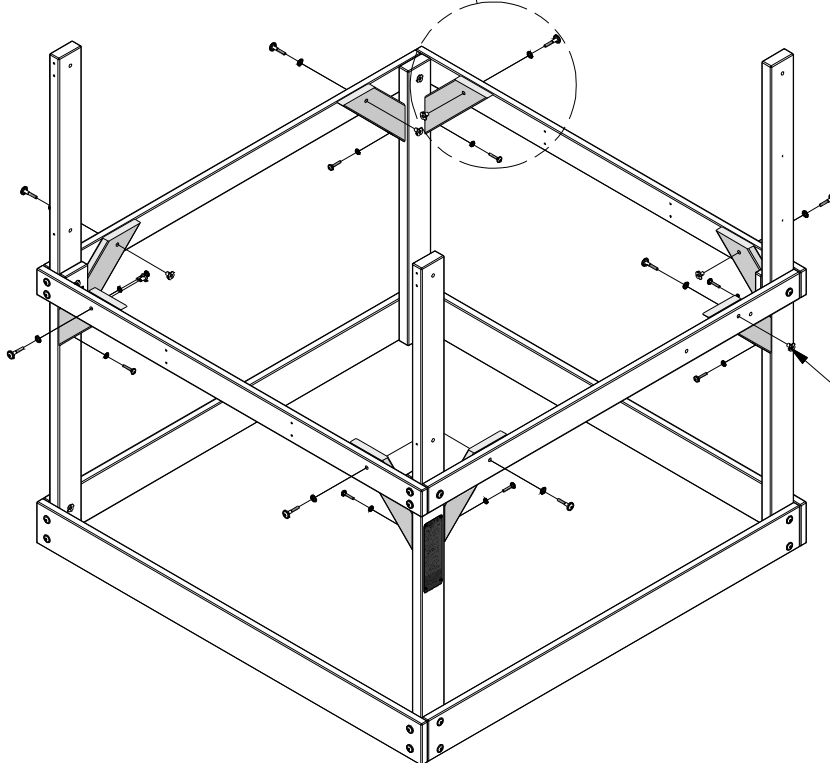
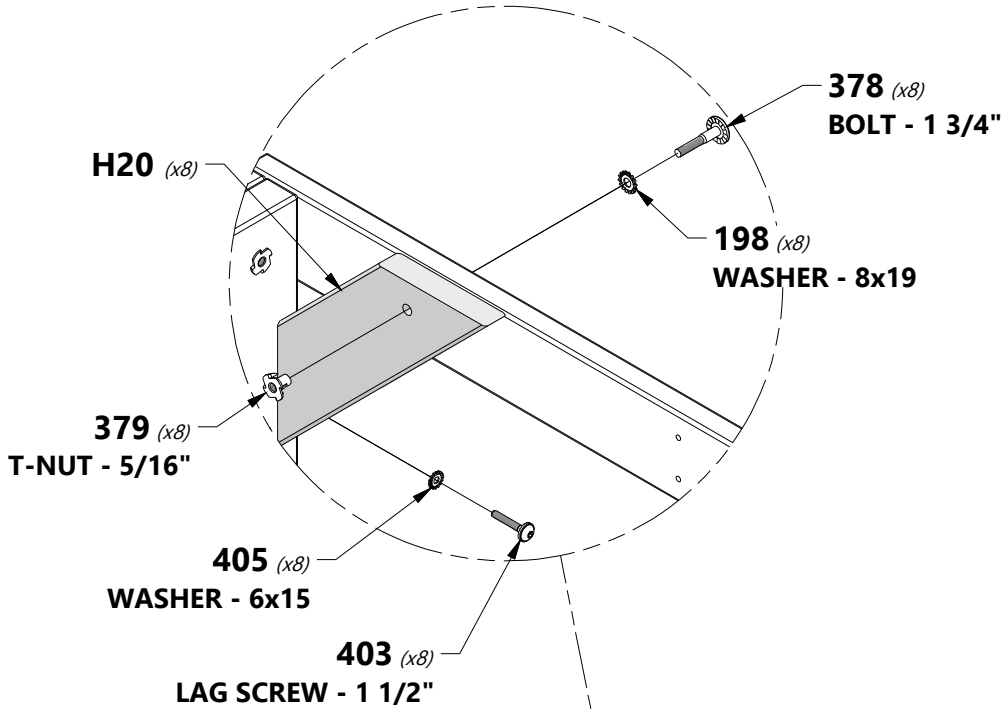
H100403 | LAG SCREW WH BLK
(x8) | 1/4x1 1/2



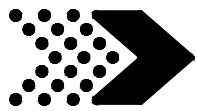
H100405 | WASHER LOCK EXT BLK
(x8) | 6x15



H100379 | T-NUT BLK
(x8) | 5/16



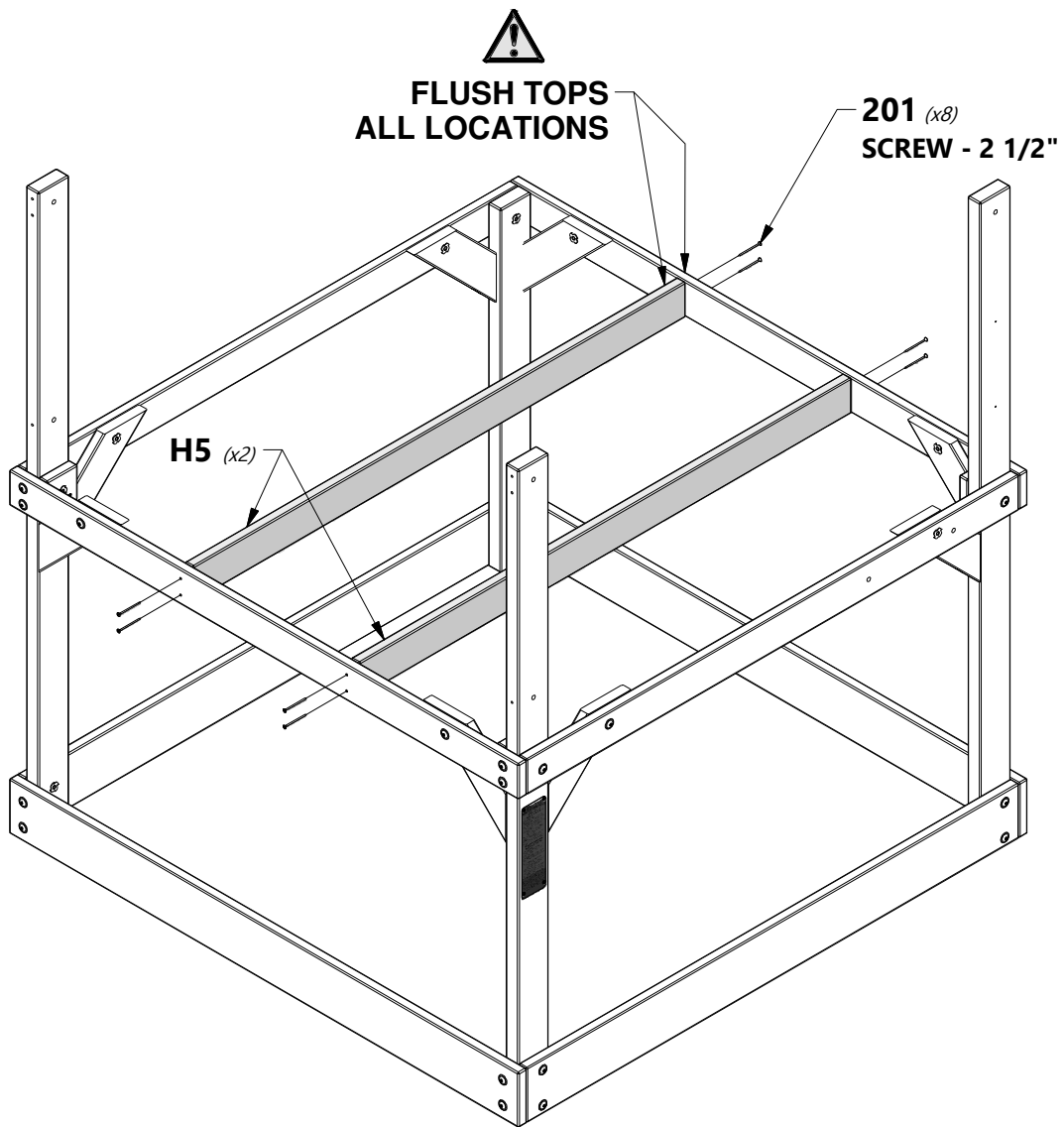
**NOTE T-NUT OUTWARD
THIS LOCATION ONLY.**

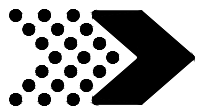


H5 | FLOOR SUPPORT - W4L17848
(x2) | 1"x3 3/8"x54 7/8" (24x86x1394)



H100201 | SCREW PFH BLK
(x8) | 8x2-1/2"





DECK ASSEMBLY

STEP 9



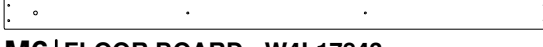
L1 | FLOOR BOARD - W4L17860
(x1) | 5/8"x4 3/8"x52" (16x112x1321)



M4 | FLOOR BOARD - W4L17865
(x13) | 5/8"x3 3/8"x56 3/4" (16x86x1442)



L2 | FLOOR BOARD - W4L17861
(x1) | 5/8"x4 3/8"x54 3/8" (16x112x1382)



M6 | FLOOR BOARD - W4L17843
(x1) | 5/8"x3 3/8"x56 3/4" (16x86x1442)

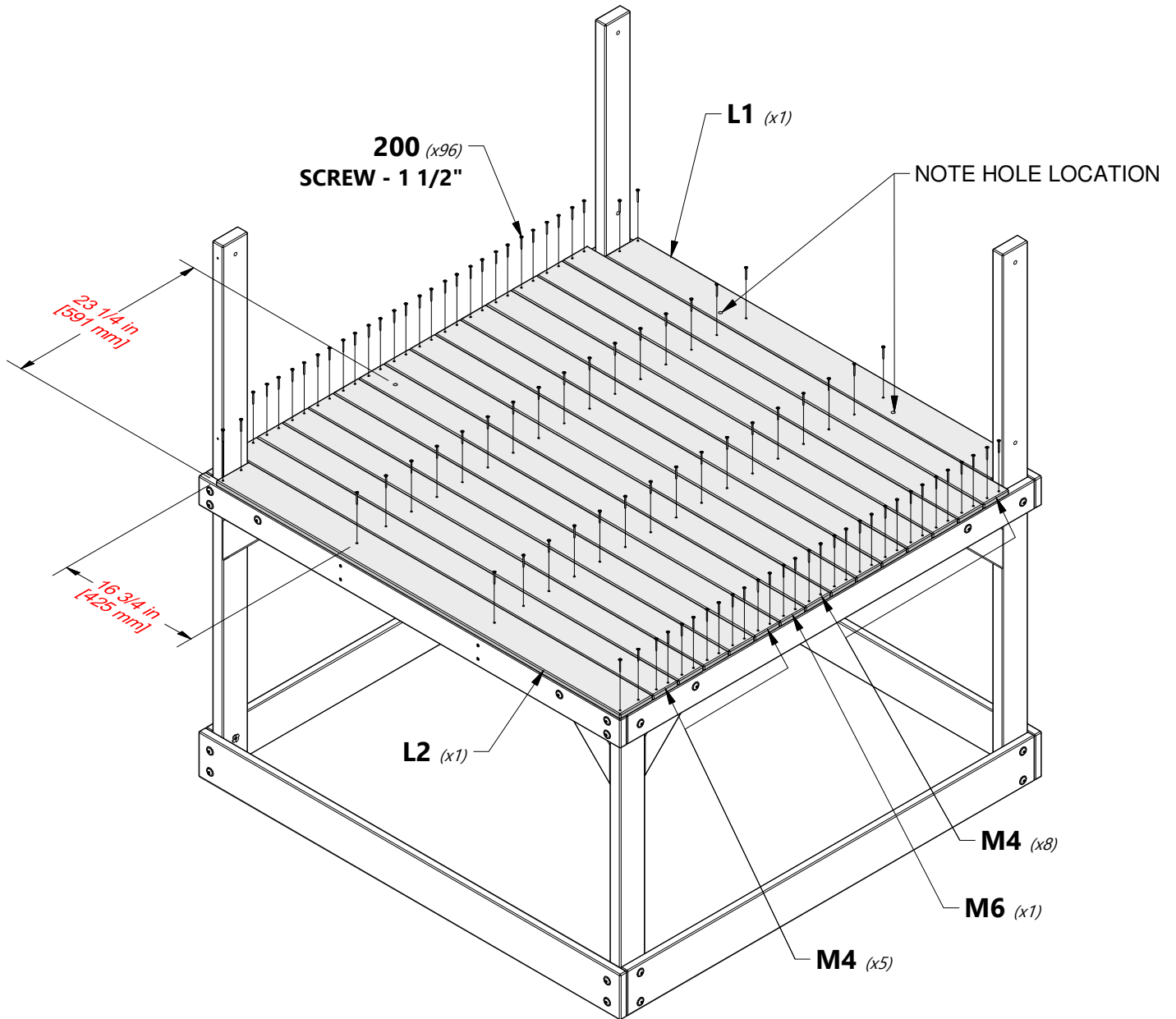


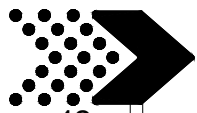
H100200 | SCREW PFH BLK
(x96) | 8x1 1/2



NOTE:

ALL FLOOR BOARDS SHOULD BE SPACED EVENLY.





DECK ASSEMBLY

STEP 10

42 ← → 43

H6 | WALL RAIL - W4L17849
(x2) | 1"x3 3/8"x18 1/2" (24x86x469)

H7 | WALL RAIL - W4L17850
(x1) | 1"x3 3/8"x56 3/4" (24x86x1442)

H8 | WALL RAIL - W4L17851
(x1) | 1"x3 3/8"x34 1/4" (24x86x871)



A4M01047 | L BRACKET 2.5x38x55x55
(x2)

H11 | WALL RAIL - W4L17877
(x1) | 1"x3 3/8"x55 7/8" (24x86x1418)

M7 | WALL BOARD - W4L17844
(x2) | 5/8"x3 3/8"x26 1/2" (16x86x673)



H100458 | LAG SCREW WH BLK
(x6) | 5/16x2



H100198 | WASHER LOCK EXT BLK
(x13) | 8x19



H100205 | BOLT WH BLK
(x3) | 5/16x2-1/4



H100199 | WASHER LOCK EXT BLK
(x2) | 12x19



H100407 | BOLT WH BLK
(x4) | 5/16x1 1/2



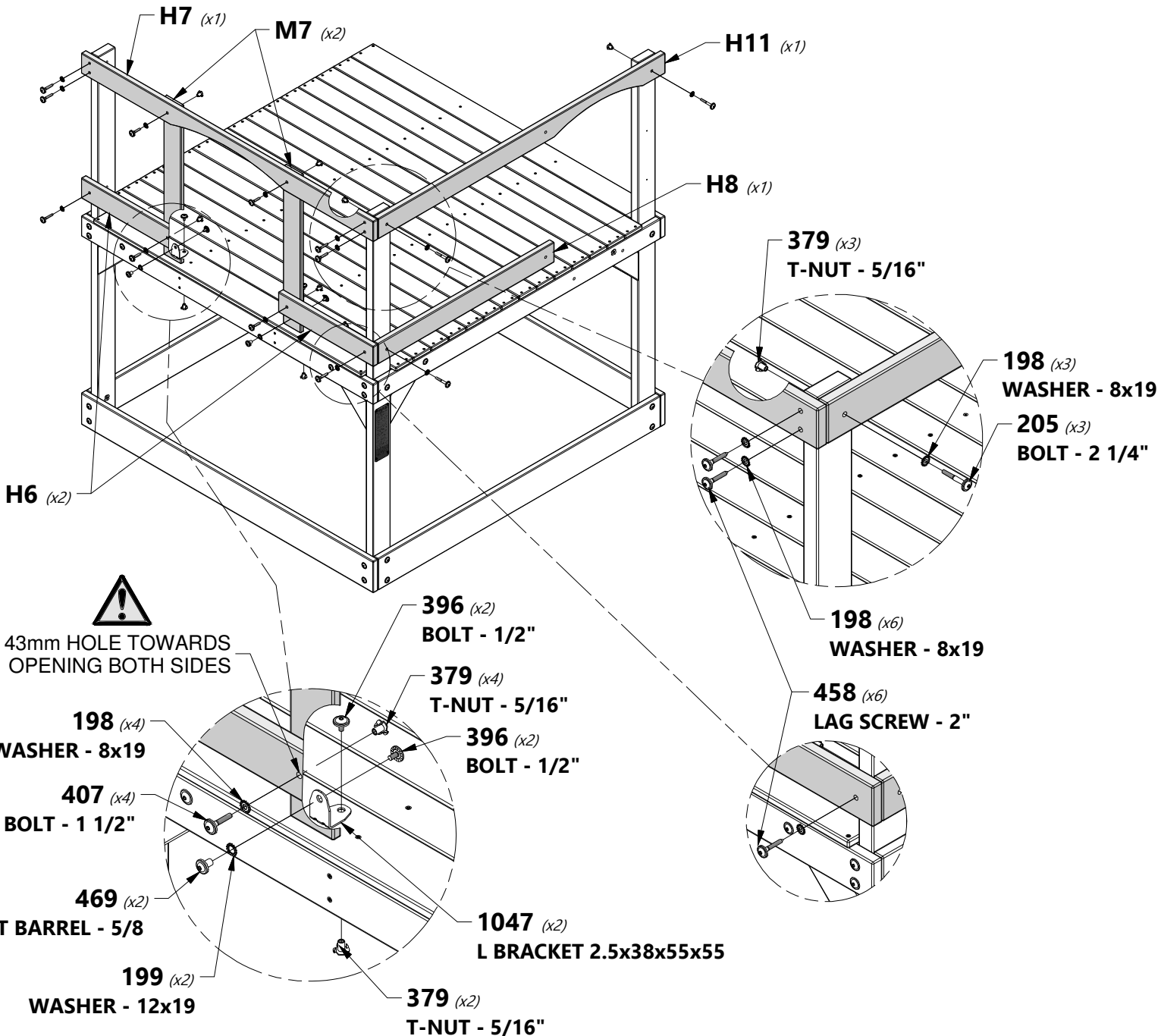
H100469 | NUT BARREL WH BLK
(x2) | 5/16x5/8



H100396 | BOLT WH BLK
(x4) | 5/16x1/2



H100379 | T-NUT BLK
(x9) | 5/16





DECK ASSEMBLY

STEP 11

M10 | WALL BOARD - W4L17866
(x1) | 5/8"x3 3/8"x26 1/2" (16x86x673)



A4M01047 | L BRACKET 2.5x38x55x55
(x1)

A100028 | HAND GRIP GREEN PLASTIC
(x2)



H100469 | NUT BARREL WH BLK
(x1) | 5/16x5/8



H100398 | T-NUT BLK
(x2) | 1/4



H100403 | LAG SCREW WH BLK
(x2) | 1/4x1 1/2



H100171 | BOLT WH BLK
(x2) | 1/4x1



H100198 | WASHER LOCK EXT BLK
(x2) | 8x19



H100407 | BOLT WH BLK
(x2) | 5/16x1 1/2



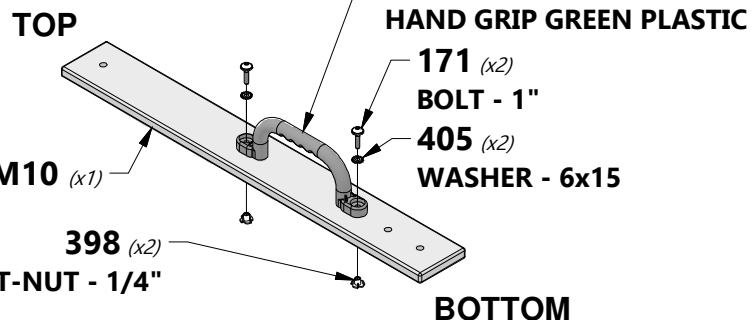
H100405 | WASHER LOCK EXT BLK
(x4) | 6x15



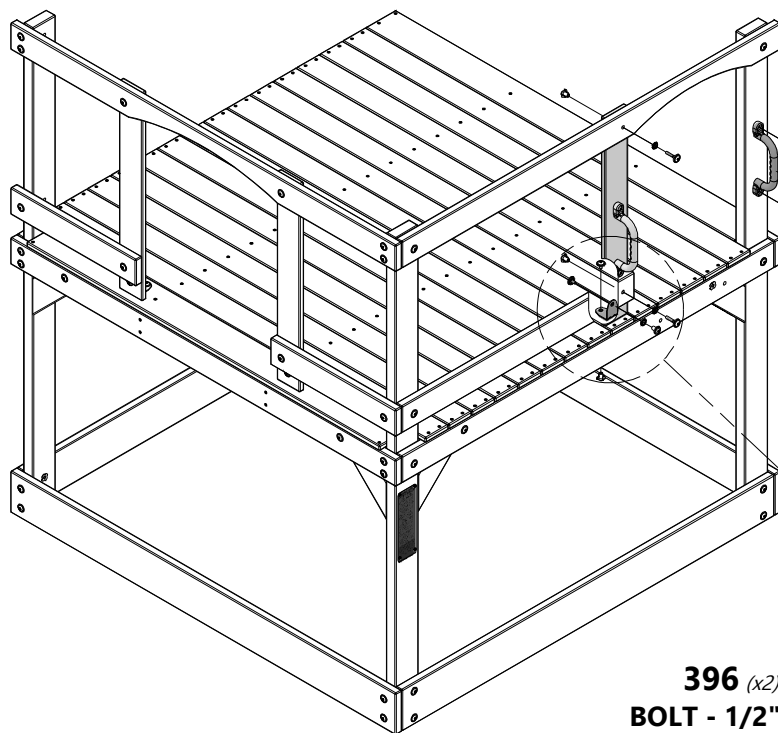
H100396 | BOLT WH BLK
(x2) | 5/16x1/2



H100379 | T-NUT BLK
(x3) | 5/16



NOTE:
ASSEMBLE HAND GRIP TO 'M10'
BOARD FIRST.

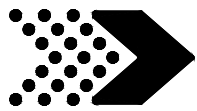


396 (x2) | BOLT - 1/2"

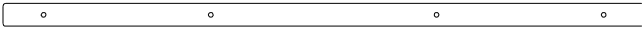
1047 (x1) | L BRACKET 2.5x38x55x55

379 (x1) | T-NUT - 5/16"

199 (x1) | WASHER - 12x19



H9 | WALL RAIL - W4L17852
(x2) | 1"x3 3/8"x16 5/8" (24x86x423)



S1 | RAIL BOARD - W4L17874
(x1) | 1"x1"x26 3/4" (24x24x679)



H100205 | BOLT WH BLK
(x2) | 5/16x2-1/4



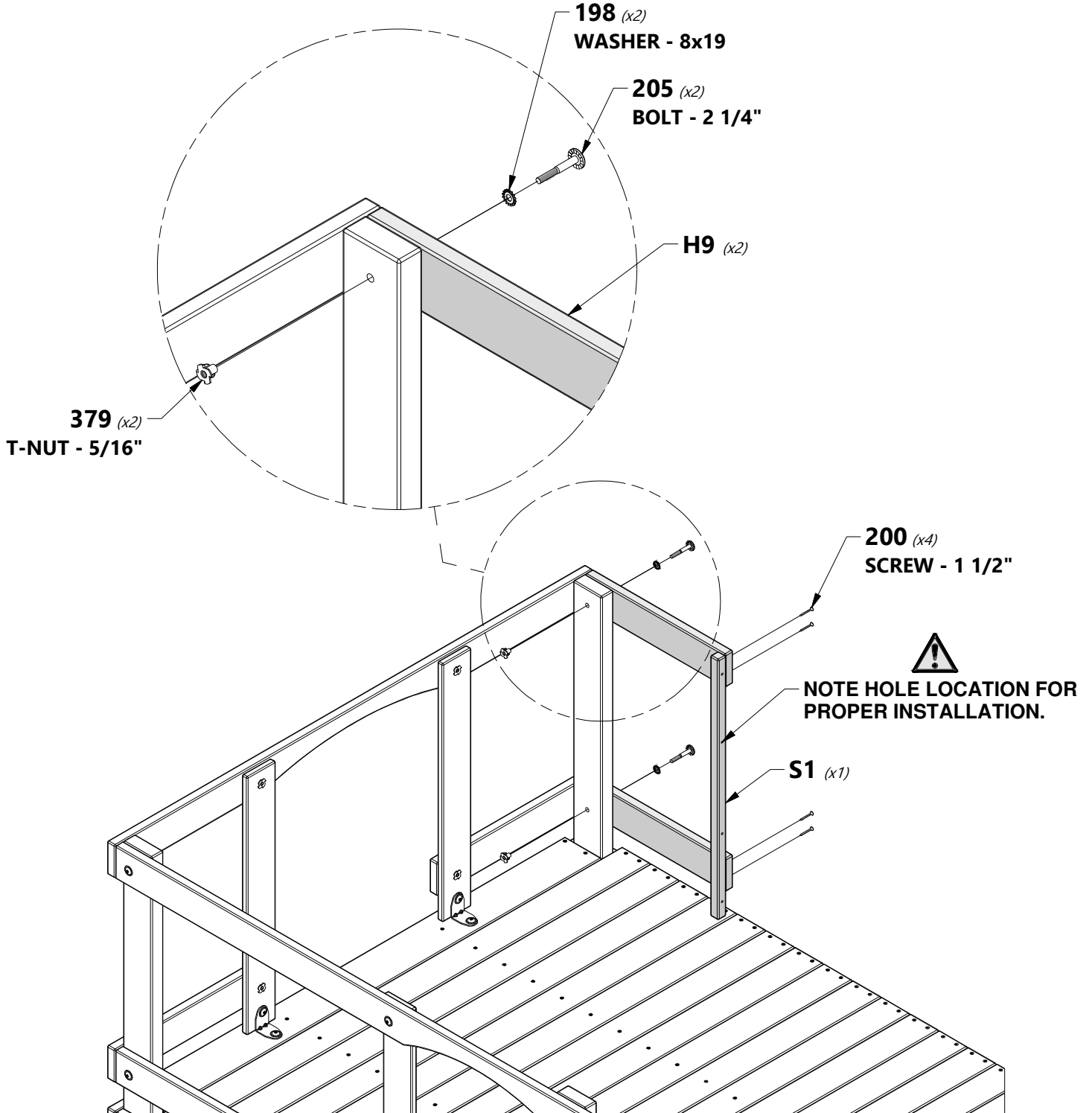
H100198 | WASHER LOCK EXT BLK
(x2) | 8x19

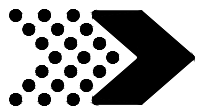


H100200 | SCREW PFH BLK
(x4) | 8x1 1/2



H100379 | T-NUT BLK
(x2) | 5/16





H10 | WALL RAIL - W4L17853
(x2) | 1"x3 3/8"x16 3/4" (24x86x426)



S1 | RAIL BOARD - W4L17874
(x1) | 1"x1"x26 3/4" (24x24x679)



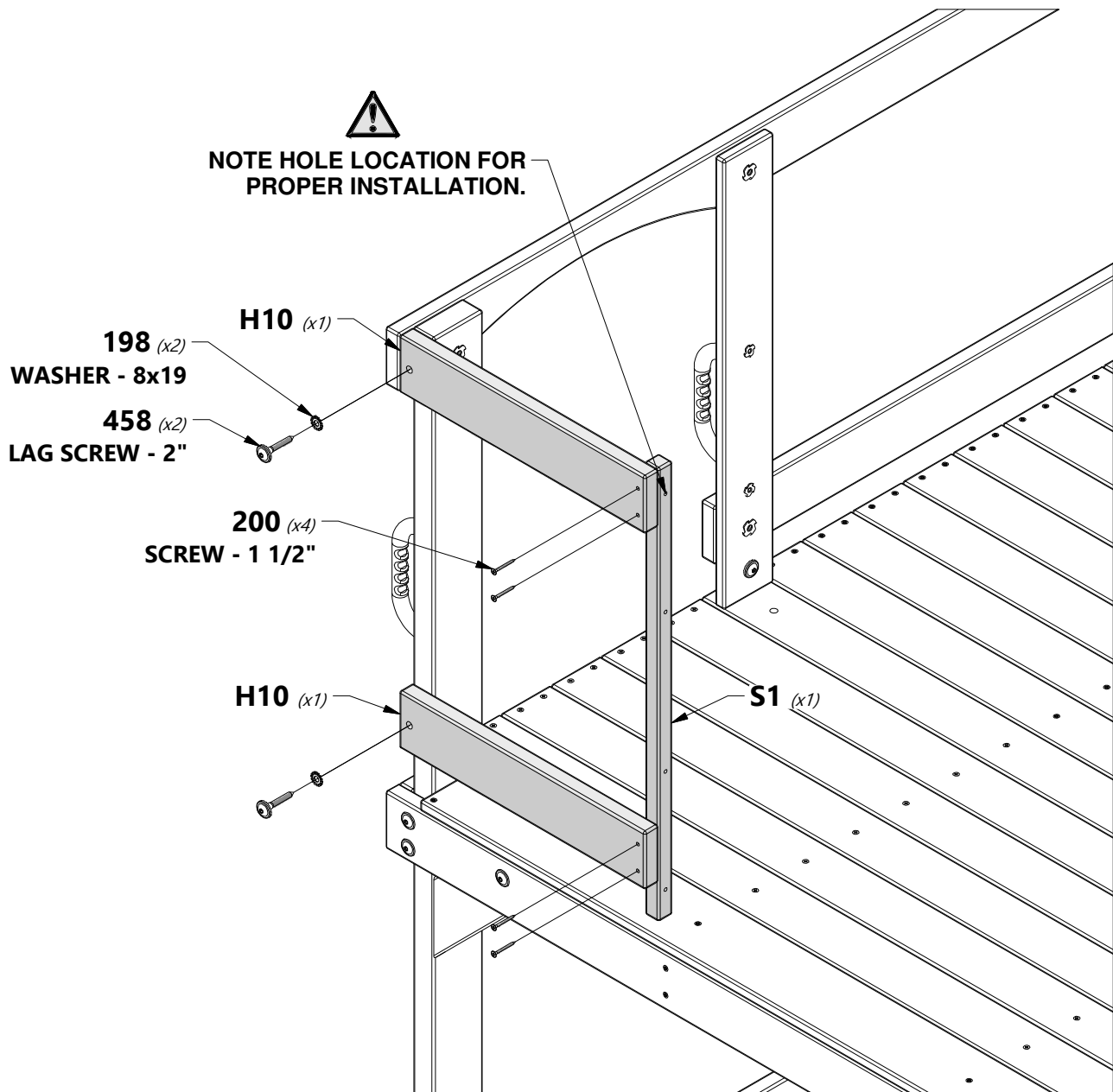
H100458 | LAG SCREW WH BLK
(x2) | 5/16x2

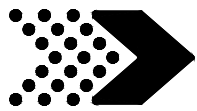


H100198 | WASHER LOCK EXT BLK
(x2) | 8x19



H100200 | SCREW PFH BLK
(x4) | 8x1 1/2

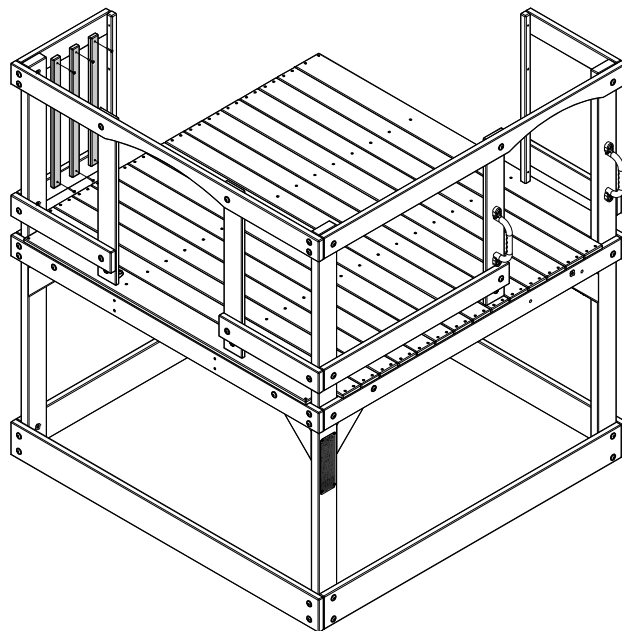
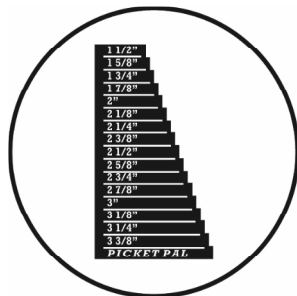
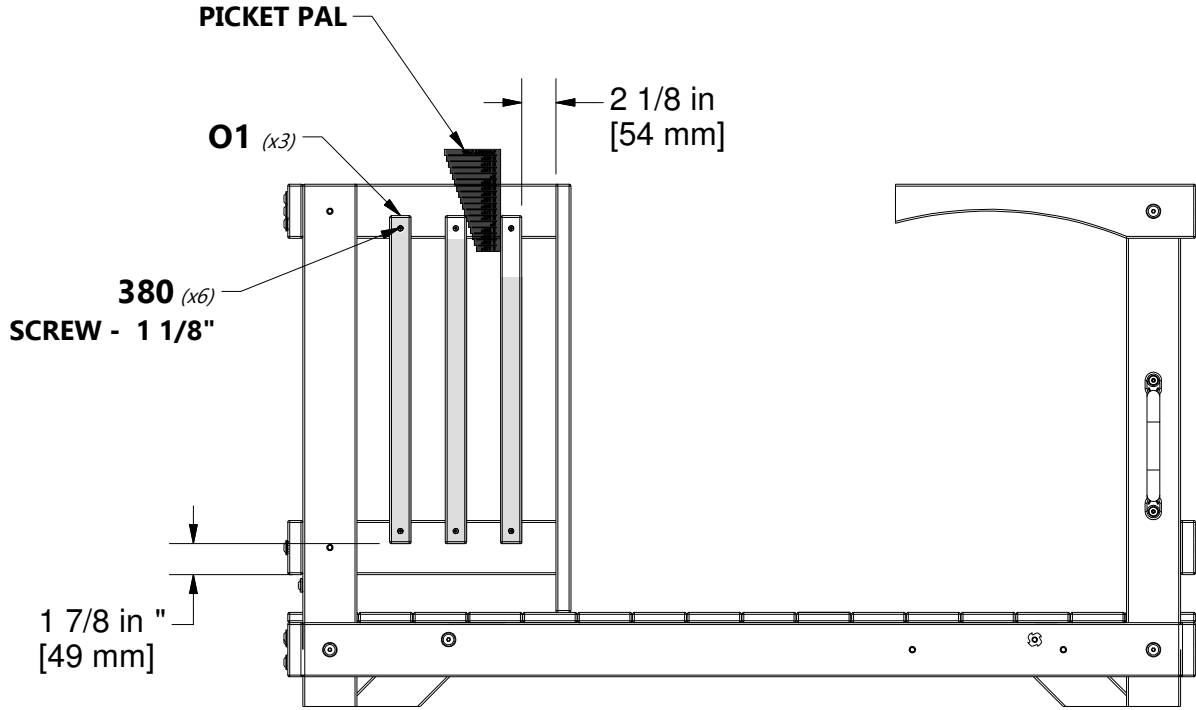


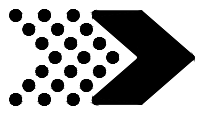


O1 | PICKET - W4L17872
(x3) | 5/8"x1 3/8"x20 1/2" (16x34x520)



H100380 | SCREW PFH BLK
(x6) | 8x1 1/8

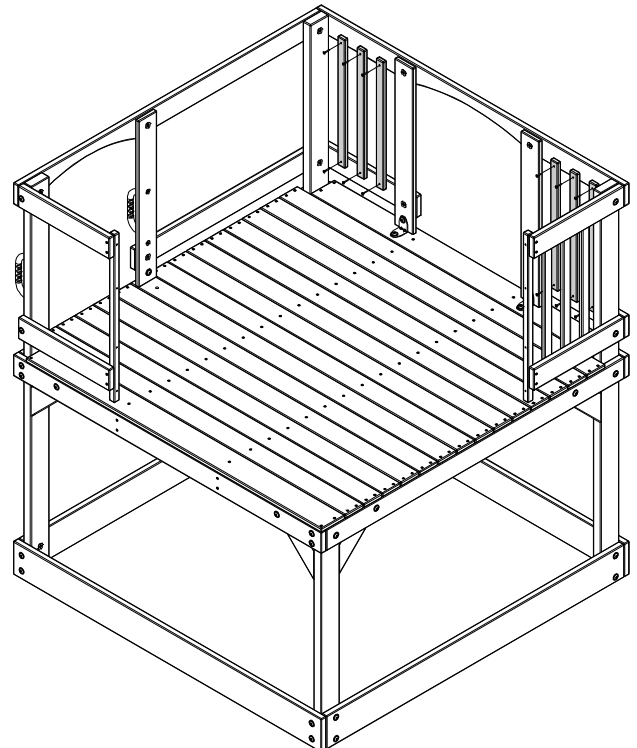
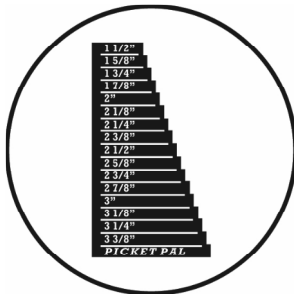
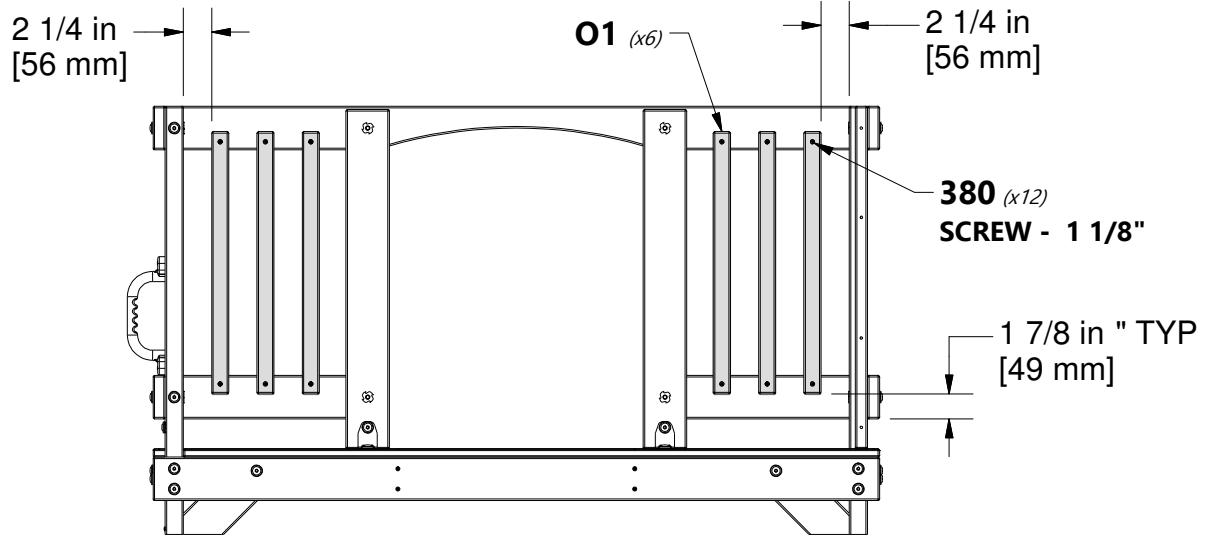


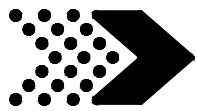


O1 | PICKET - W4L17872
(x6) | 5/8"x1 3/8"x20 1/2" (16x34x520)



H100380 | SCREW PFH BLK
(x12) | 8x1 1/8

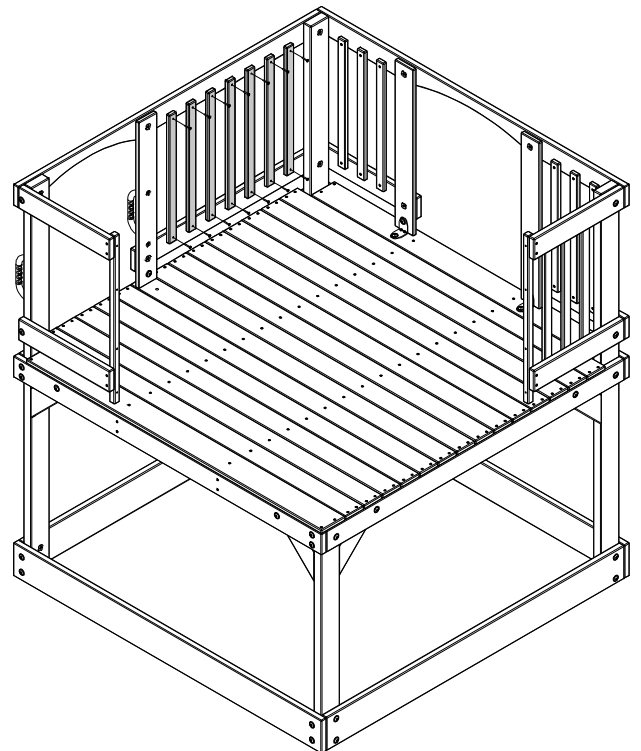
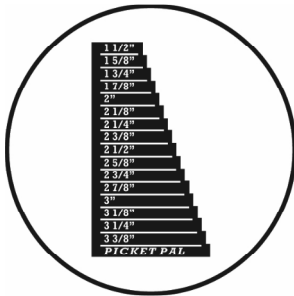
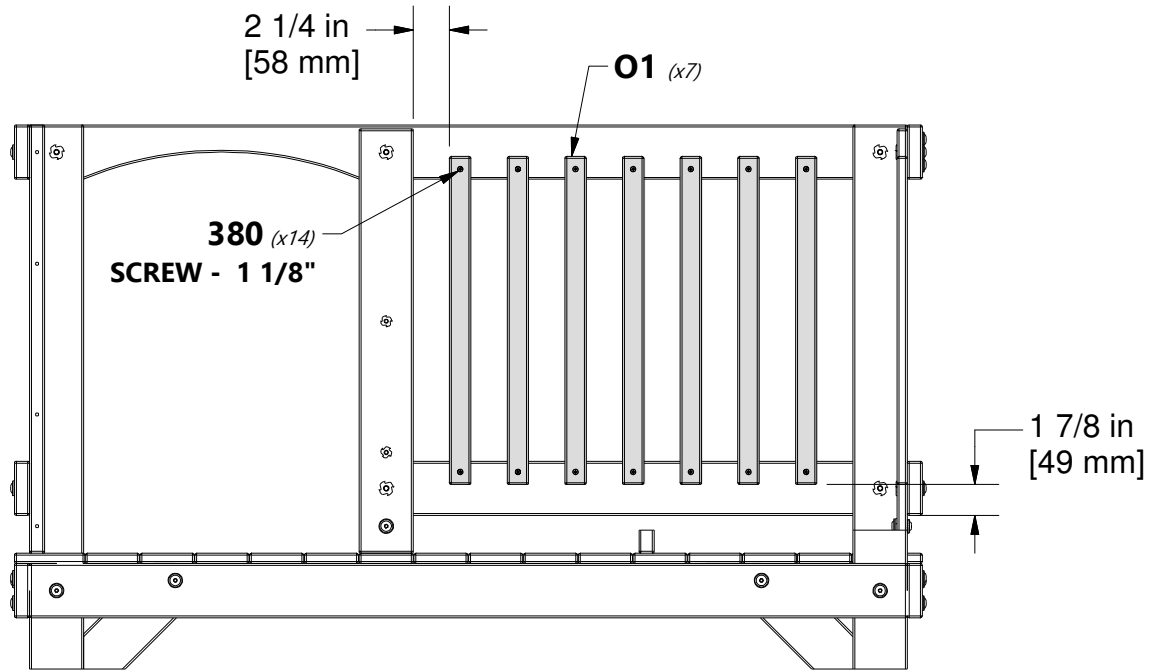


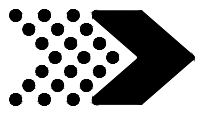


O1 | PICKET - W4L17872
(x7) | 5/8"x1 3/8"x20 1/2" (16x34x520)



H100380 | SCREW PFH BLK
(x14) | 8x1 1/8

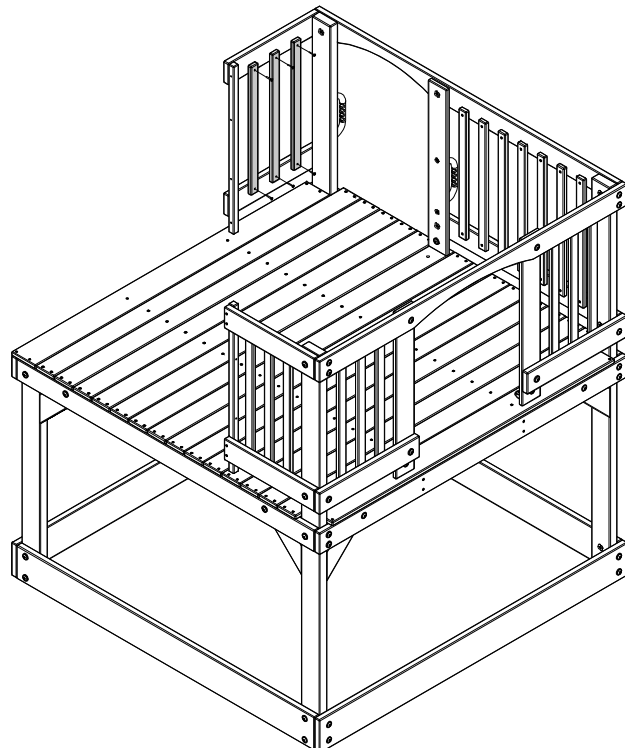
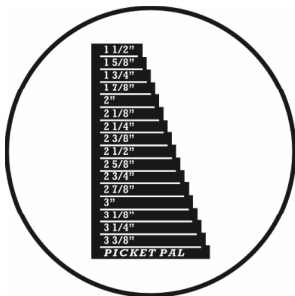
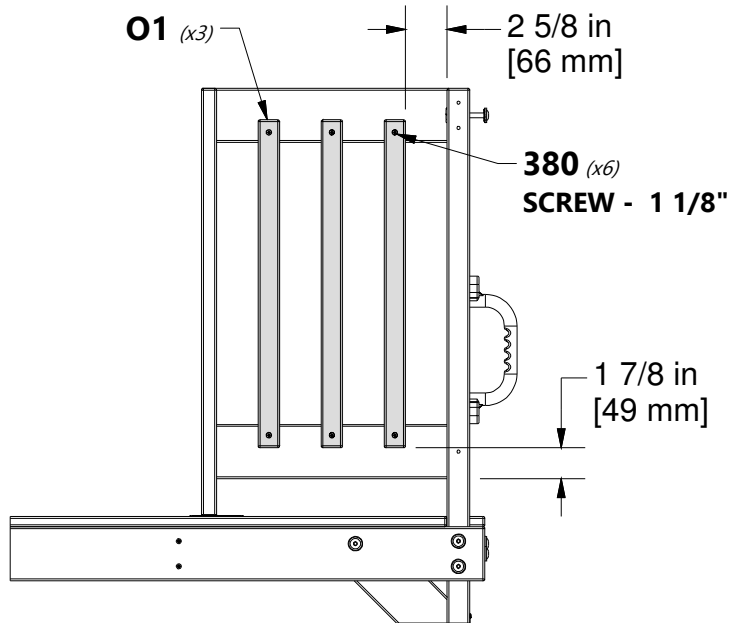


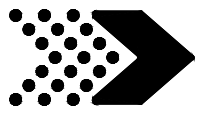


O1 | PICKET - W4L17872
(x3) | 5/8"x1 3/8"x20 1/2" (16x34x520)



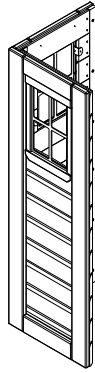
H100380 | SCREW PFH BLK
(x6) | 8x1 1/8"



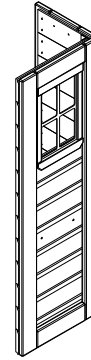


PLAYHOUSE ASSEMBLY

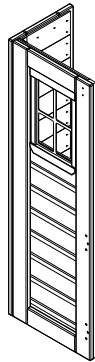
STEP 1



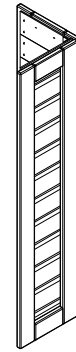
WP1 | FRONT RIGHT CORNER PANEL - W2A03848
(x1)



WP2 | REAR RIGHT CORNER PANEL - W2A03851
(x1)



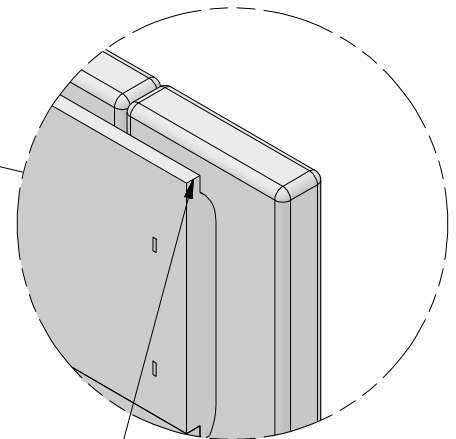
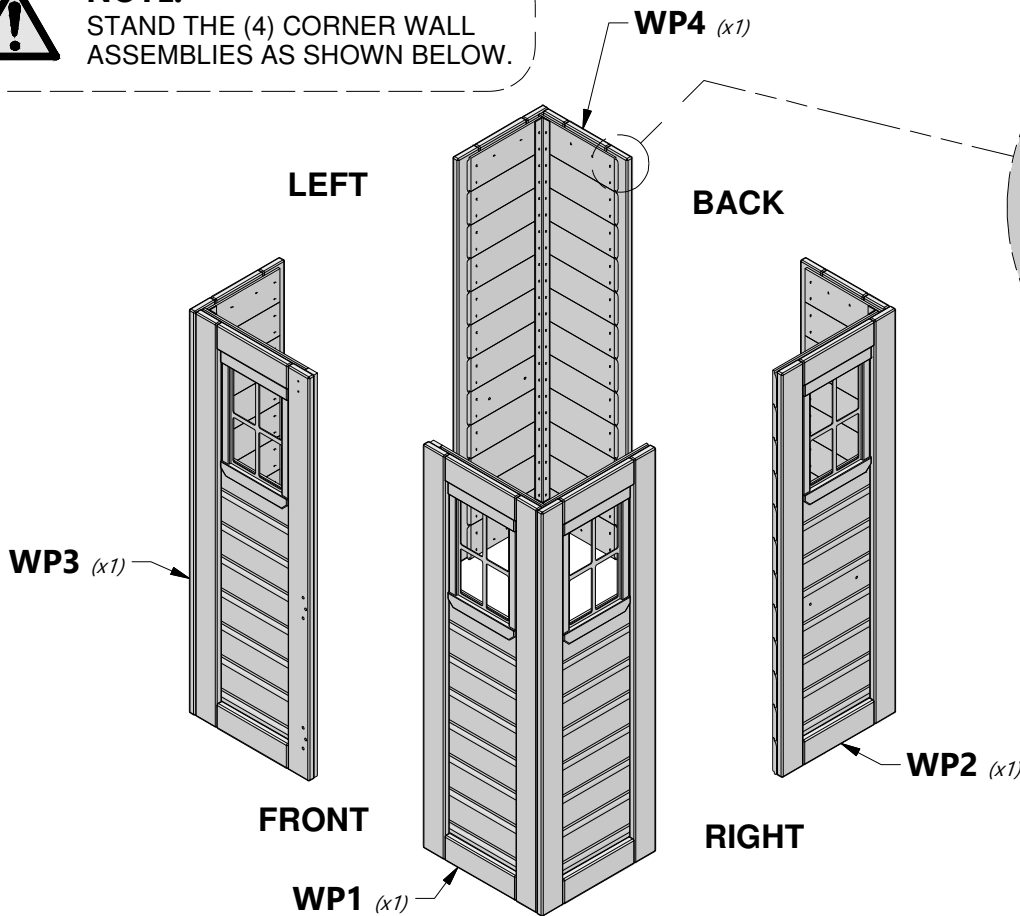
WP3 | FRONT LEFT CORNER PANEL - W2A03854
(x1)



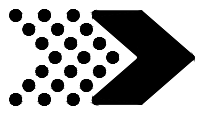
WP4 | REAR LEFT CORNER PANEL - W2A03857
(x1)



NOTE:
STAND THE (4) CORNER WALL ASSEMBLIES AS SHOWN BELOW.

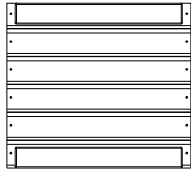


NOTE THE PROFILE OF THE WALL BOARDS. THE TONGUE FACES TOWARD THE TOP OF THE PANELS.



PLAYHOUSE ASSEMBLY

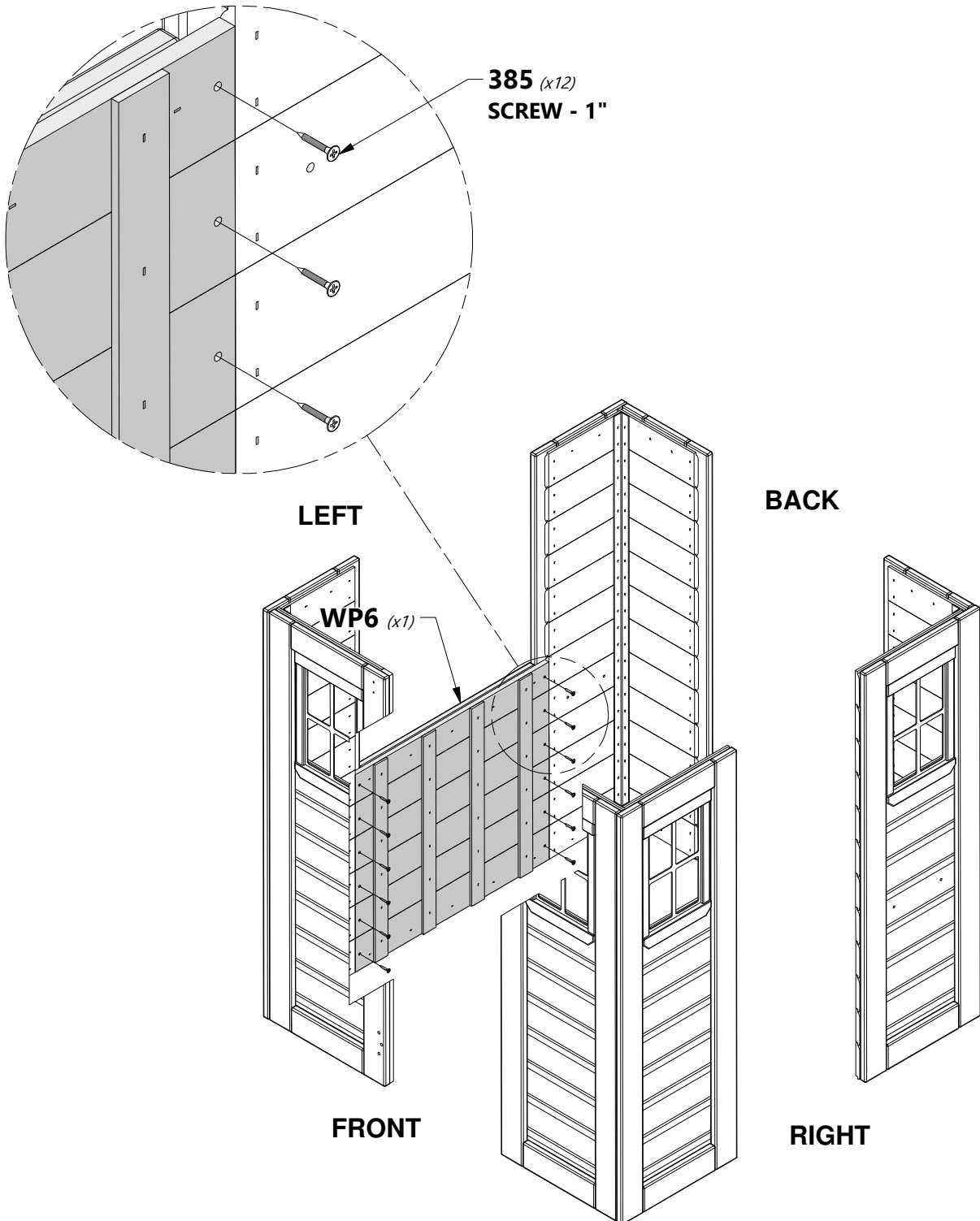
STEP 2

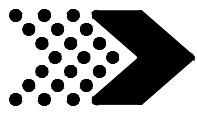


WP6 | LEFT CENTER PANEL - W2A03861
(x1) | 1 1/4"x18 7/8"x20 7/8" (32x478x536)



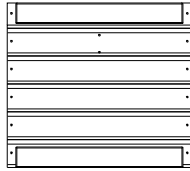
H100385 | SCREW PFH BLK
(x12) | 8x1





PLAYHOUSE ASSEMBLY

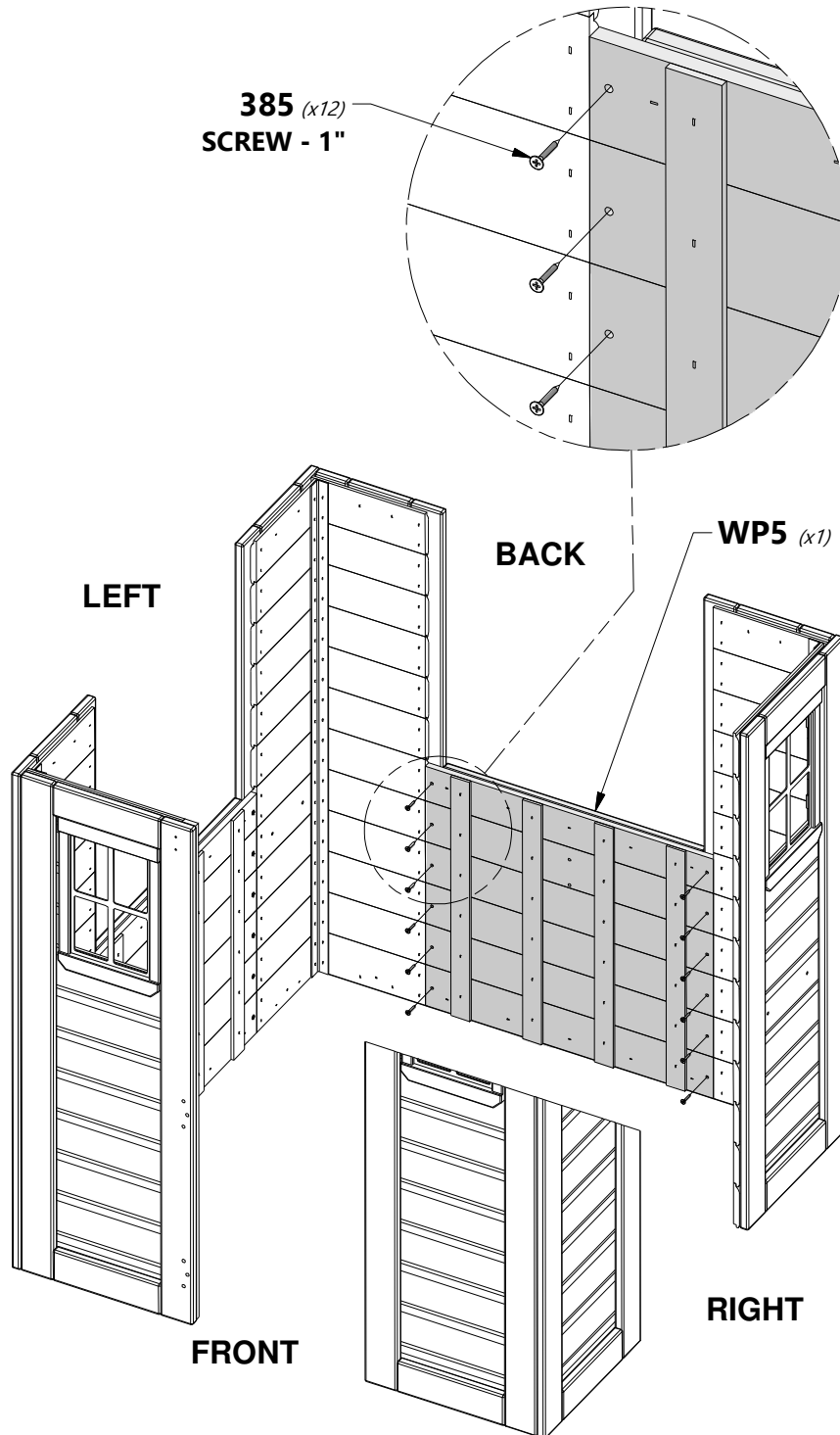
STEP 3

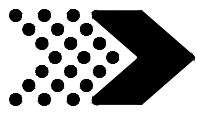


WP5 | REAR CENTER PANEL - W2A03860
(x1) | 1 1/4"x18 7/8"x20 7/8" (32x478x536)



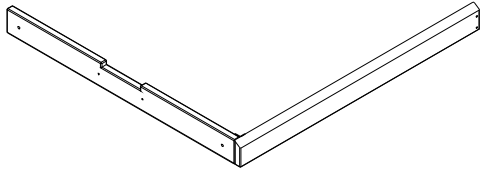
H100385 | SCREW PFH BLK
(x12) | 8x1





PLAYHOUSE ASSEMBLY

STEP 4



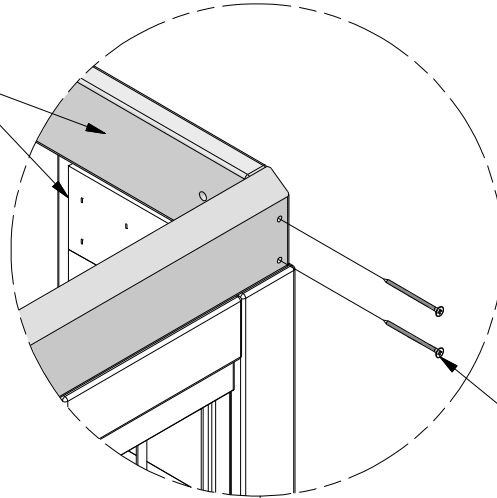
WP8 | HEADER ASSEMBLY - W2A03862
(x2)



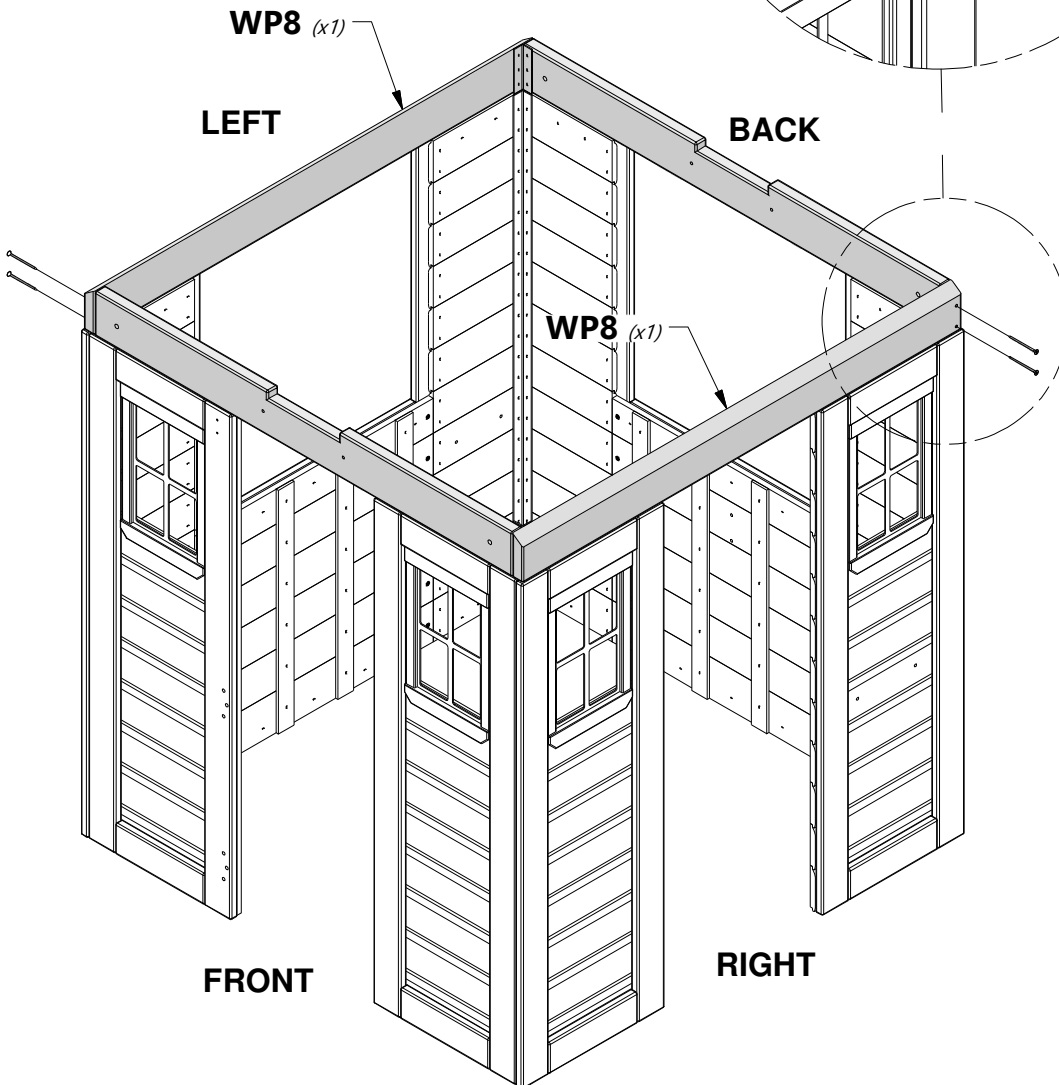
H100201 | SCREW PFH BLK
(x4) | 8x2-1/2

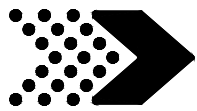


**ALL INTERIOR
SURFACES
ARE FLUSH.**



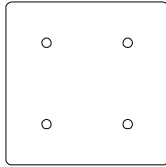
201 (x4)
SCREW - 2 1/2"





PLAYHOUSE ASSEMBLY

STEP 5



N1 | TIE STRAP - W4L17870
(x8) | 5/8"x3 3/8"x3 3/8" (16x86x86)

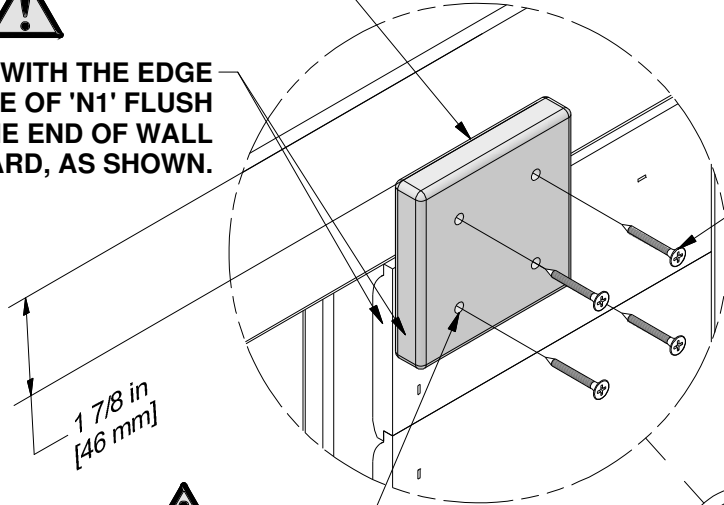


H100387 | SCREW PFH BLK
(x32) | 8x1 1/4



INSTALL WITH THE EDGE
SURFACE OF 'N1' FLUSH
WITH THE END OF WALL
BOARD, AS SHOWN.

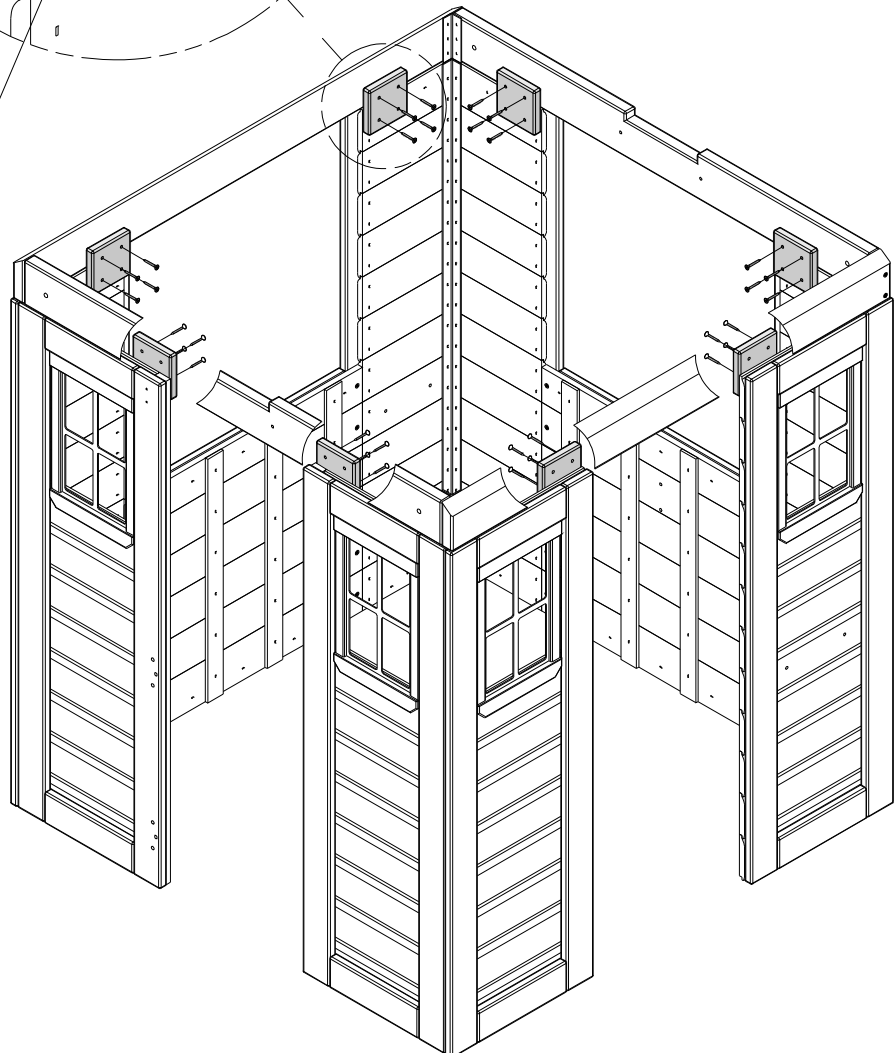
N1 (x8)

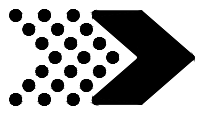


387 (x32)
SCREW - 1 1/4"



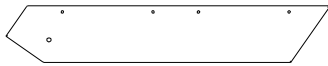
DRILL 1/8" - 3mm PILOT HOLE,
THIS HOLE ONLY.
THRU SIDING ONLY.





PLAYHOUSE ASSEMBLY

STEP 6



L3 | GABLE BOARD - W4L17862
(x4) | 5/8"x4 3/8"x25 3/8" (16x112x644)



H100171 | BOLT WH BLK
(x4) | 1/4x1



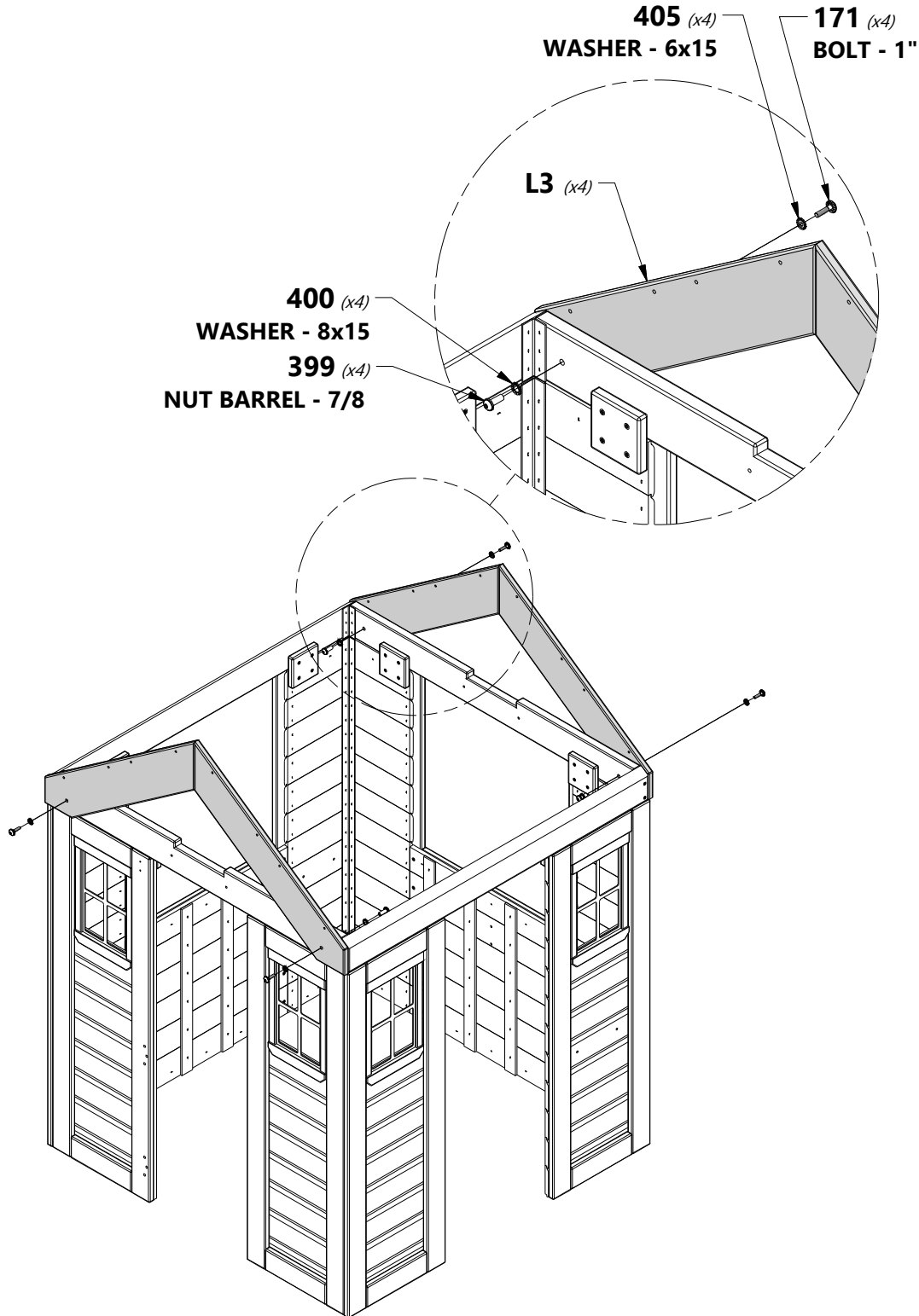
H100405 | WASHER LOCK EXT BLK
(x4) | 6x15

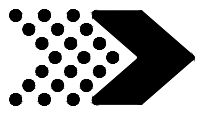


H100399 | NUT BARREL WH BLK
(x4) | 1/4x7/8



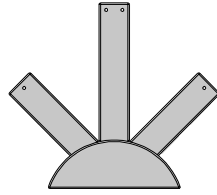
H100400 | WASHER LOCK EXT BLK
(x4) | 8x15





PLAYHOUSE ASSEMBLY

STEP 7



A100361 | **PLASTIC SUNBURST**
(x2)



H100387 | **SCREW PFH BLK**
(x4) | 8x1 1/4

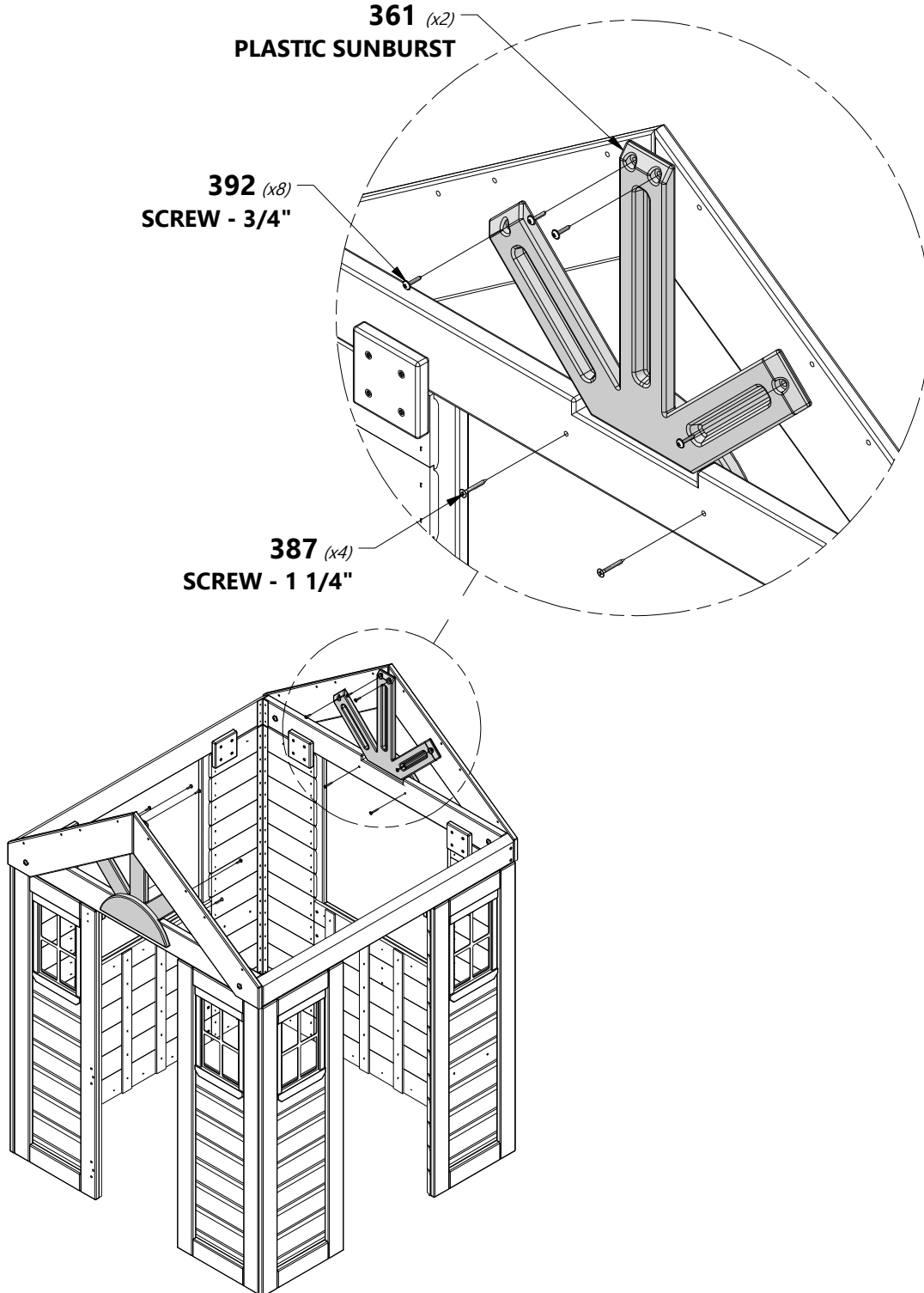


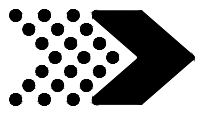
H100392 | **SCREW PWH BLK**
(x8) | 8x3/4

361 (x2)
PLASTIC SUNBURST

392 (x8)
SCREW - 3/4"

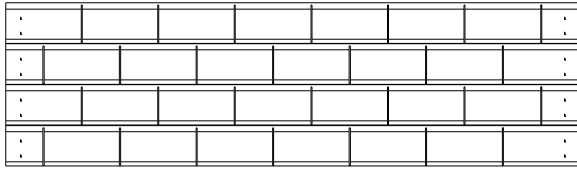
387 (x4)
SCREW - 1 1/4"





PLAYHOUSE ASSEMBLY

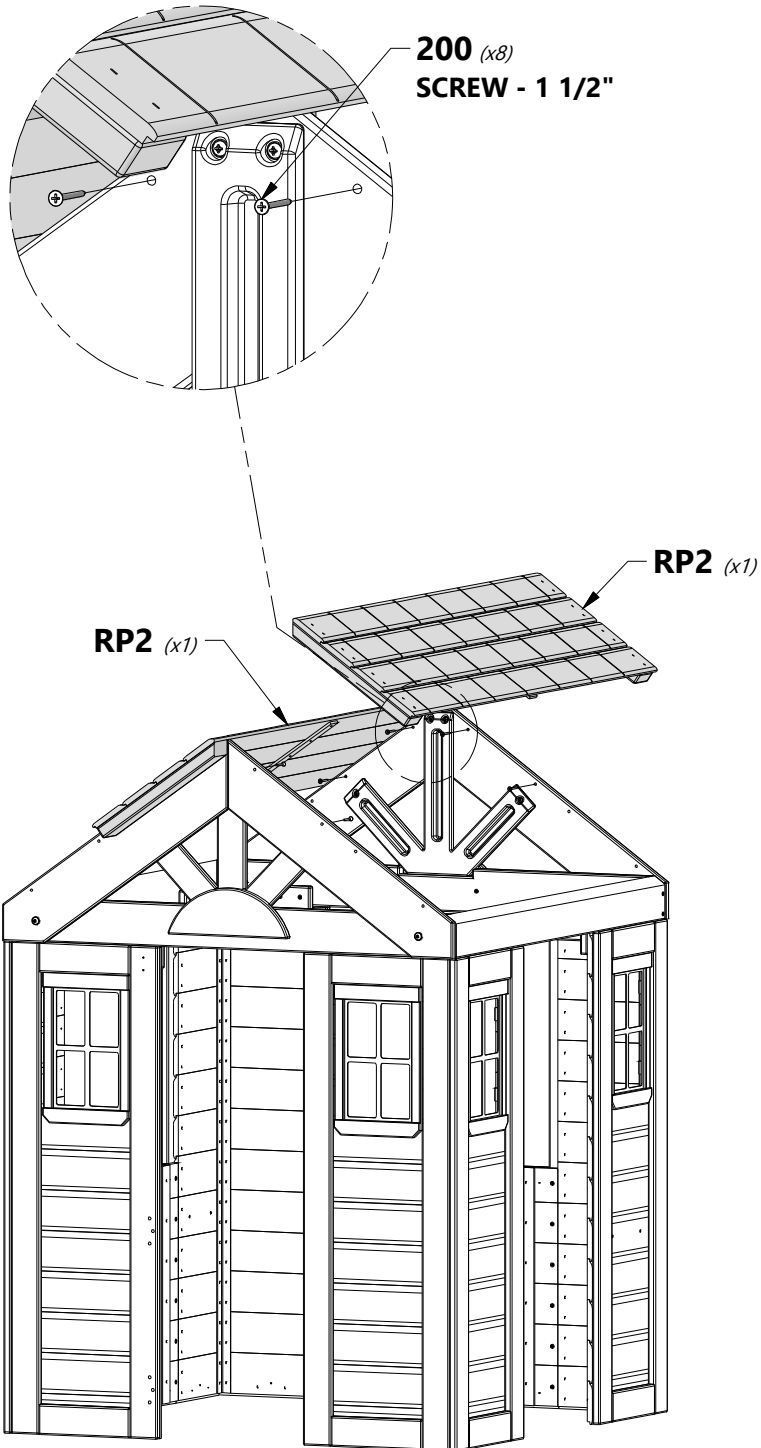
STEP 8

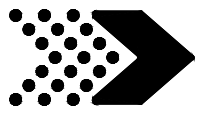


RP2 | UPPER ROOF PANEL - W2A03864
(x2) | 1 3/8"x12 3/4"x44 7/8" (35x324x1140)



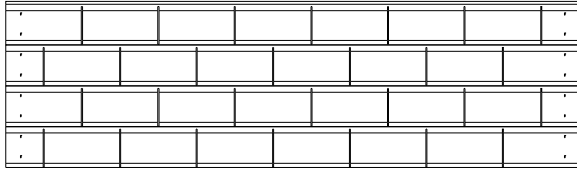
H100200 | SCREW PFH BLK
(x8) | 8x1 1/2





PLAYHOUSE ASSEMBLY

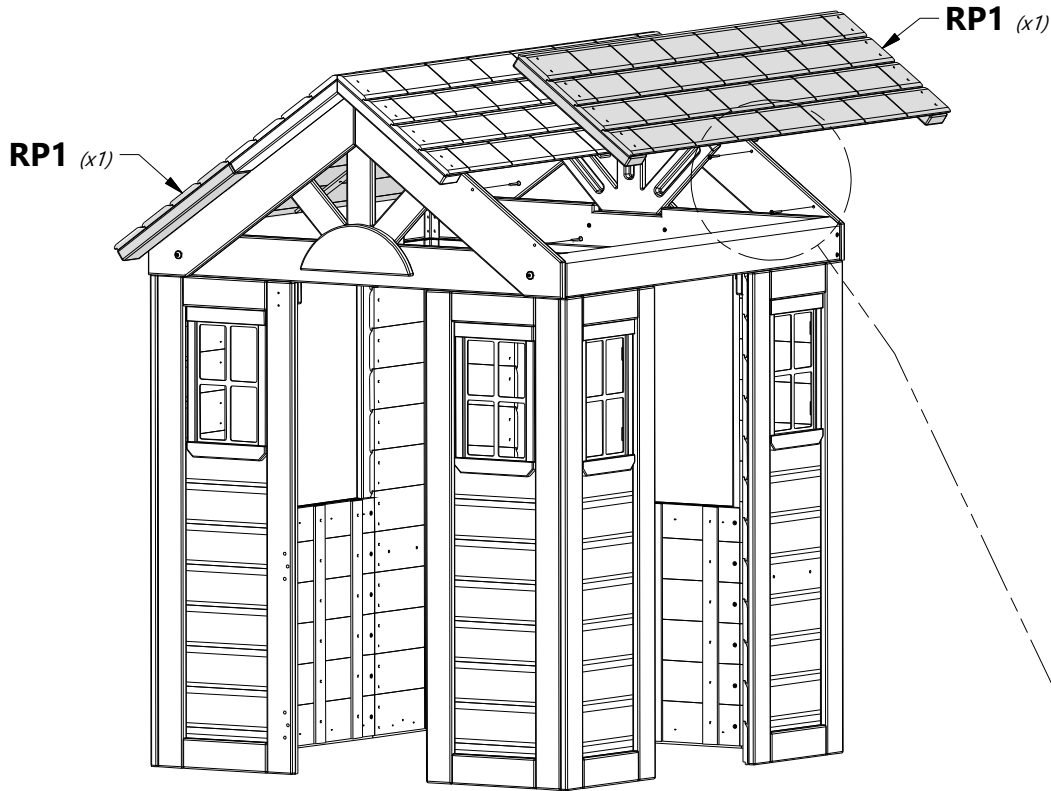
STEP 9



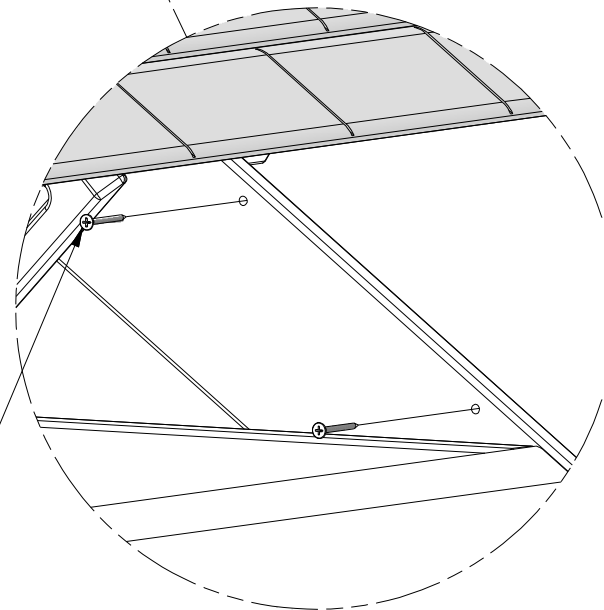
RP1 | LOWER ROOF PANEL - W2A03863
(x2) | 1 3/8"x13"x44 7/8" (35x329x1140)

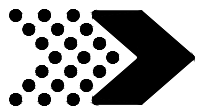


H100200 | SCREW PFH BLK
(x8) | 8x1 1/2



200 (x8)
SCREW - 1 1/2"





PLAYHOUSE ASSEMBLY

STEP 10

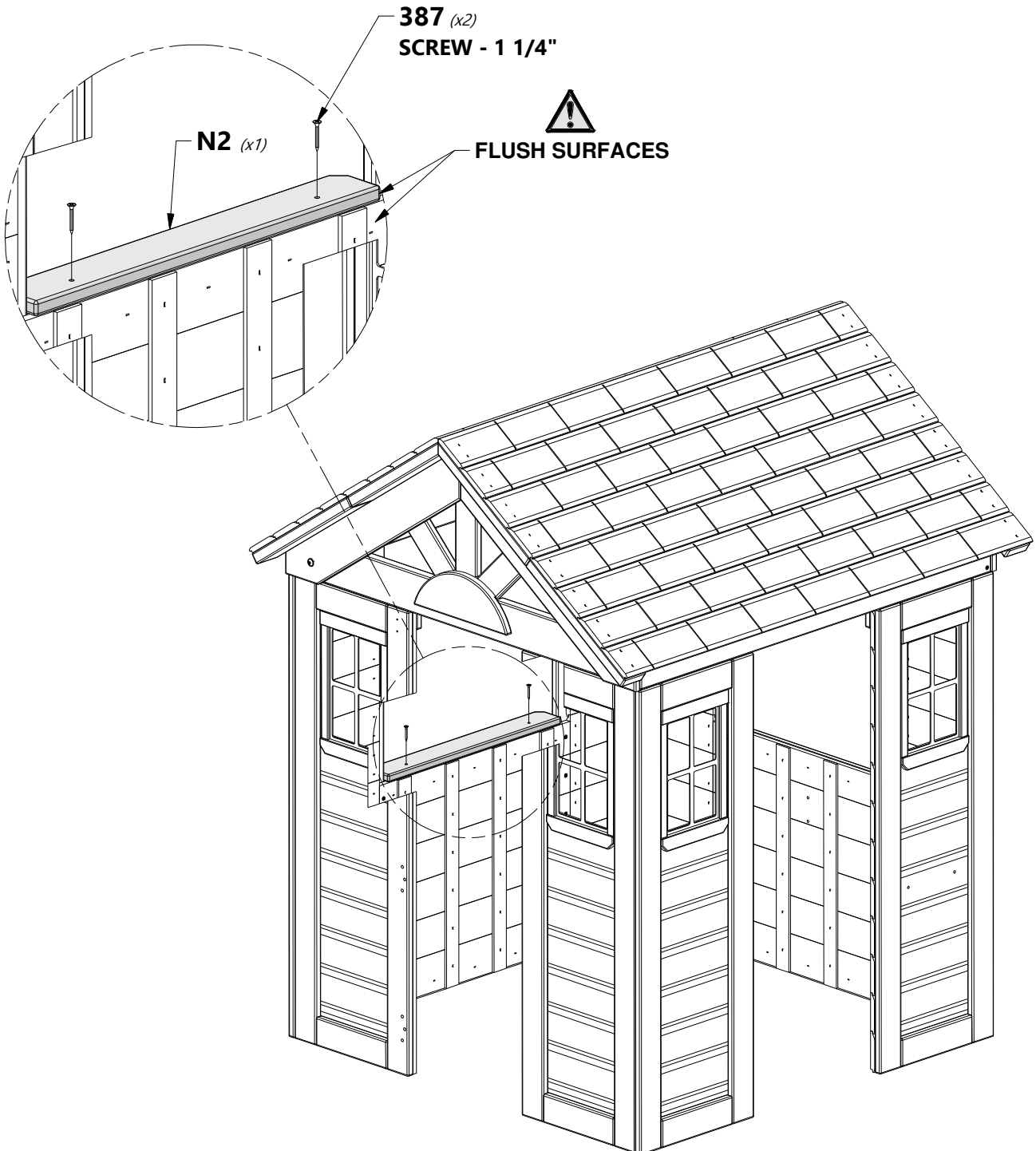


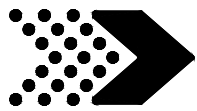
N2 | WINDOW SHELF - W4L17871
(x1) | 5/8"x2 3/8"x19 1/8" (16x60x485)



H100387 | SCREW PFH BLK
(x2) | 8x1 1/4

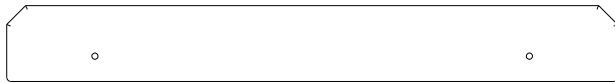
DRILL PILOT HOLES FOR HARDWARE
USING A 1/8" (3mm) DRILL BIT.





PLAYHOUSE ASSEMBLY

STEP 11

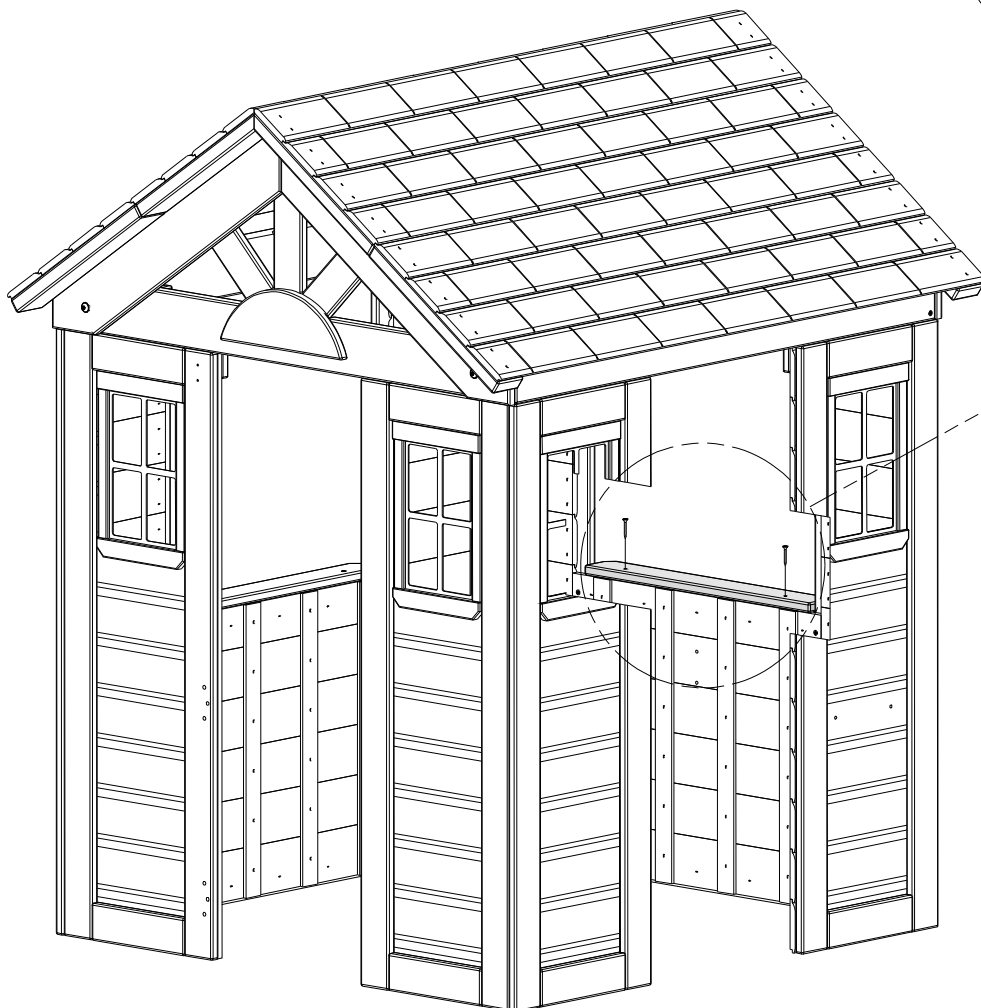
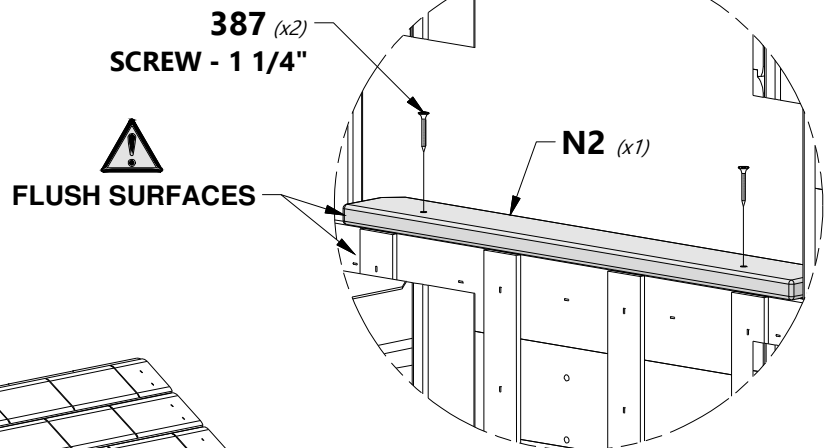


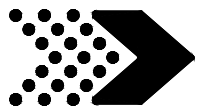
N2 | WINDOW SHELF - W4L17871
(x1) | 5/8"x2 3/8"x19 1/8" (16x60x485)



H100387 | SCREW PFH BLK
(x2) | 8x1 1/4

DRILL PILOT HOLES FOR HARDWARE
USING A 1/8" (3mm) DRILL BIT.





PLAYHOUSE ASSEMBLY

STEP 12



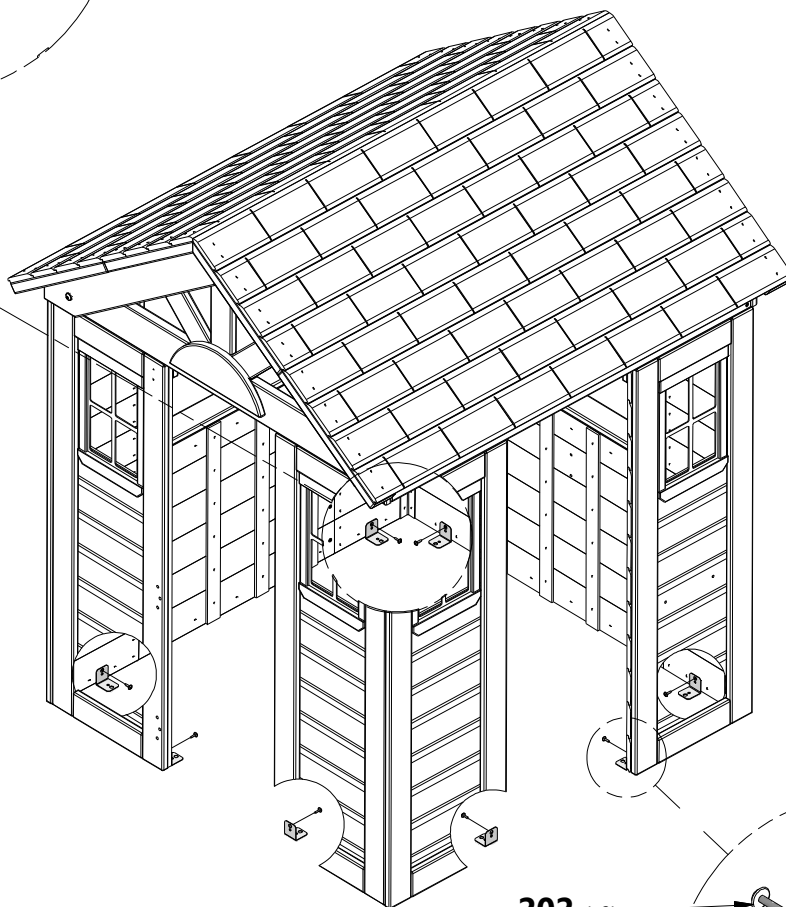
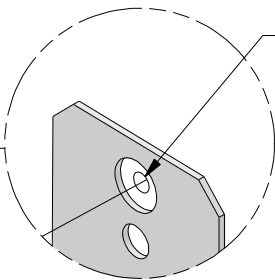
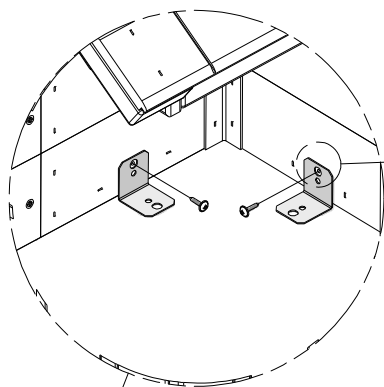
A4M00555 | 90° L-BRACKET - BLK
(x8)



H100202 | SCREW PWH BLK
(x8) | 8x5/8



**ALIGN BRACKETS WITH
PILOT HOLES.**

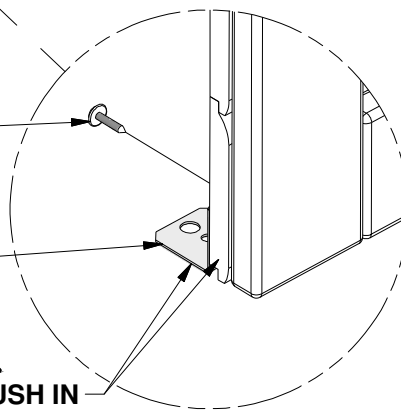


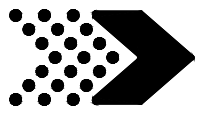
202 *(x8)*
SCREW - 5/8"

555 *(x8)*
90° L-BRACKET - BLK



**EDGES FLUSH IN
DOOR OPENINGS.**





PLAYHOUSE ASSEMBLY

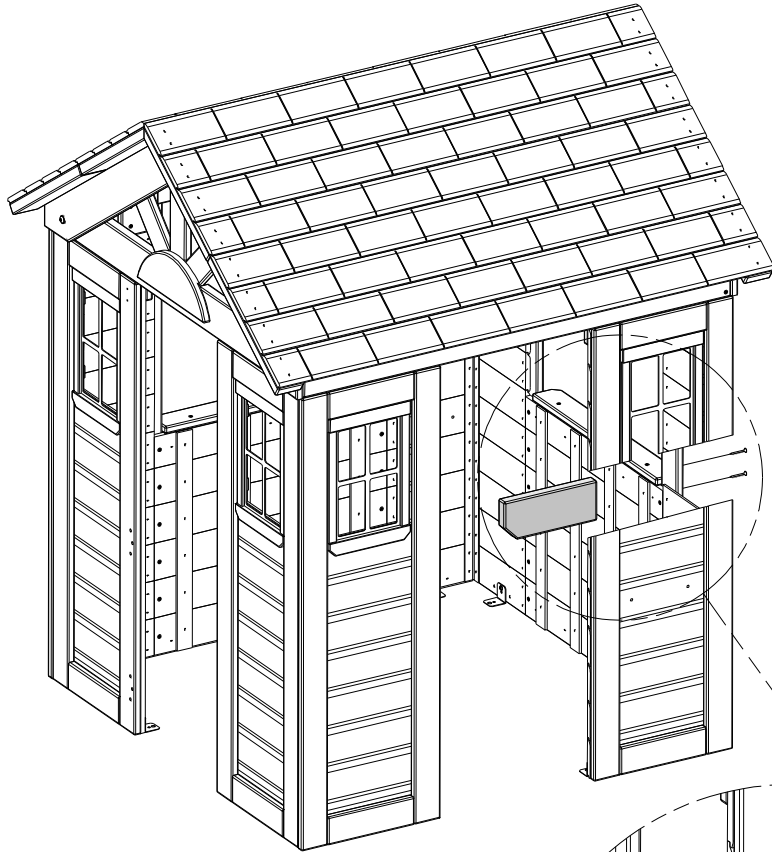
STEP 13



H3 | COUNTER TOP SUPPORT - W4L17873
(x1) | 1"x3 3/8"x8 3/8" (24x86x214)

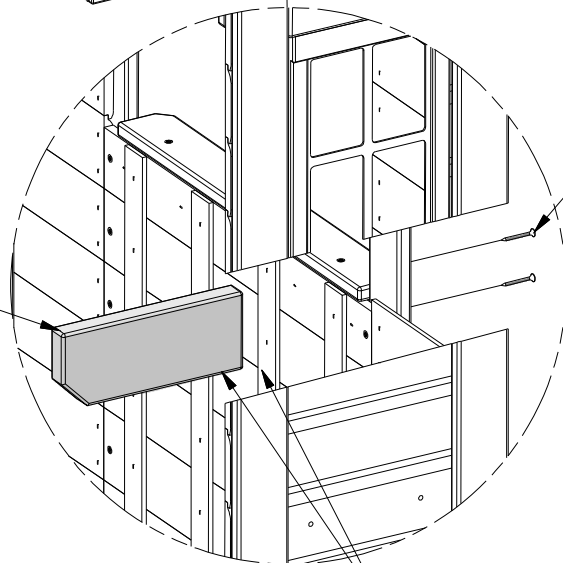


H100200 | SCREW PFH BLK
(x2) | 8x1 1/2

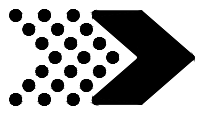


H3 (x1)

200 (x2)
SCREW - 1 1/2"



 **ALIGN PILOT HOLES IN H3
WITH HOLES IN WALL PANEL.**



PLAYHOUSE ASSEMBLY

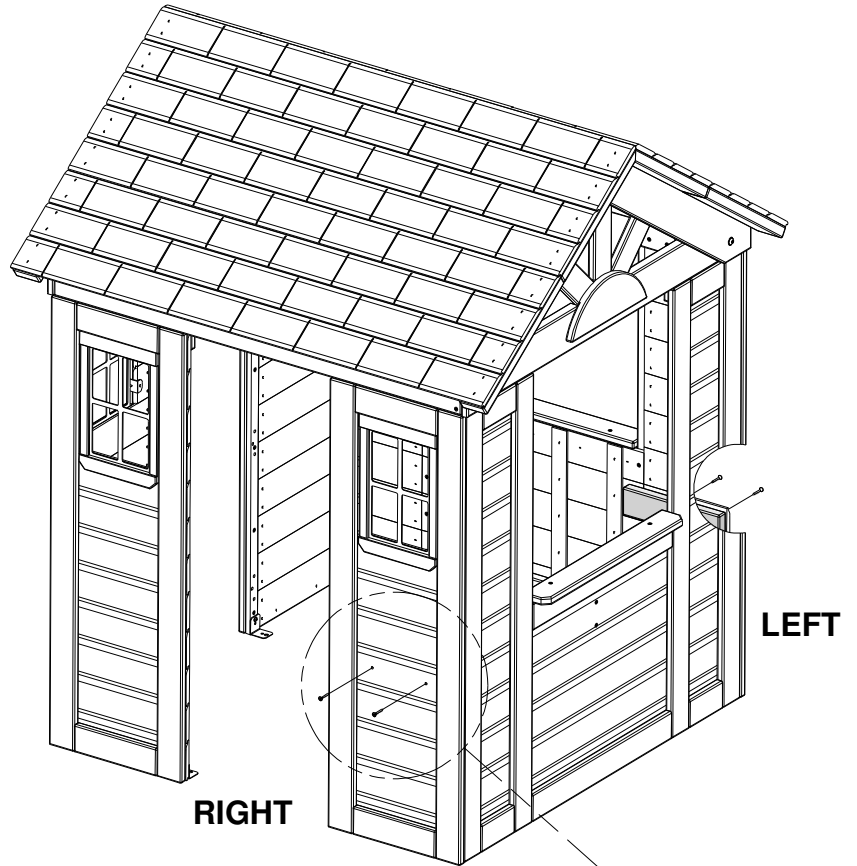
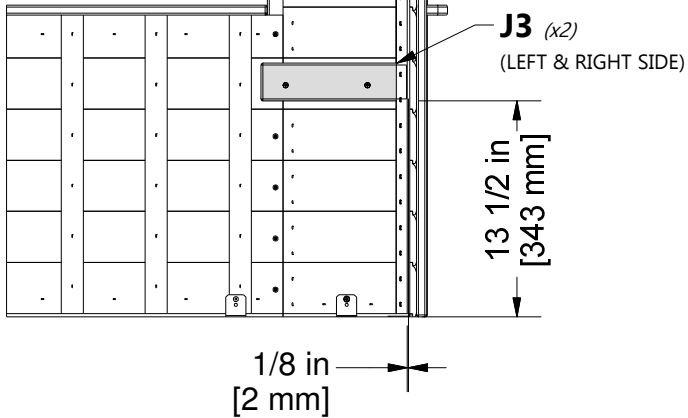
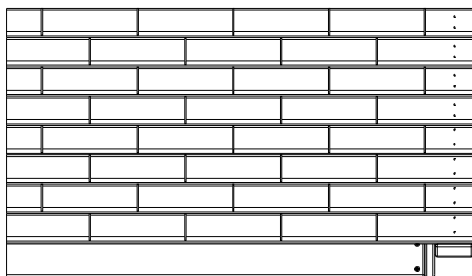
STEP 14



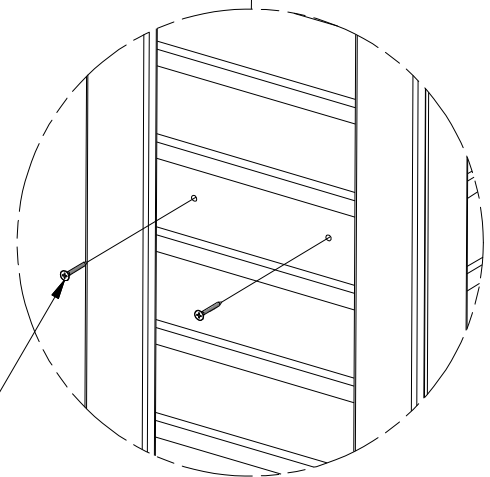
J3 | COUNTER TOP SUPPORT - W4L17859
(x2) | 1"x2 3/8"x9 1/4" (24x60x234)

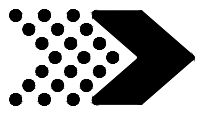


H100387 | SCREW PFH BLK
(x4) | 8x1 1/4



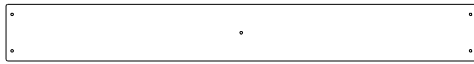
387 (x4)
SCREW - 1 1/4"





PLAYHOUSE ASSEMBLY

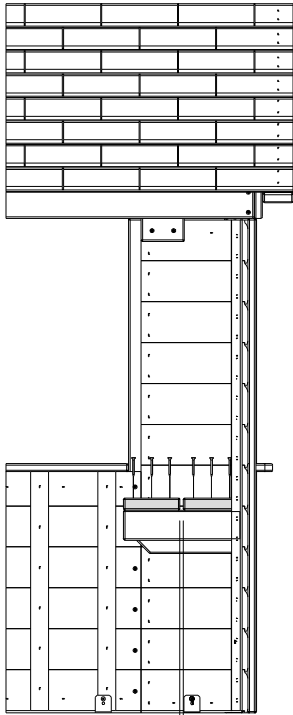
STEP 15



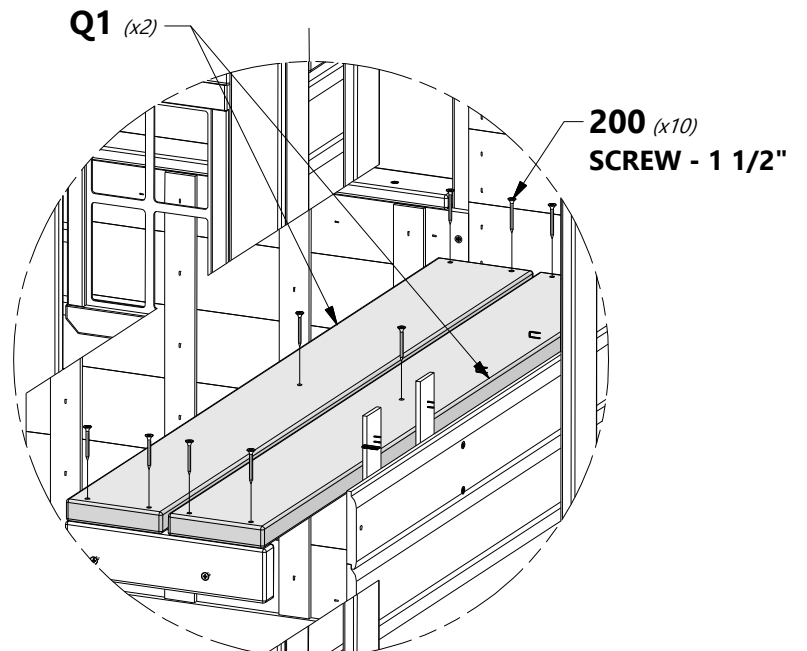
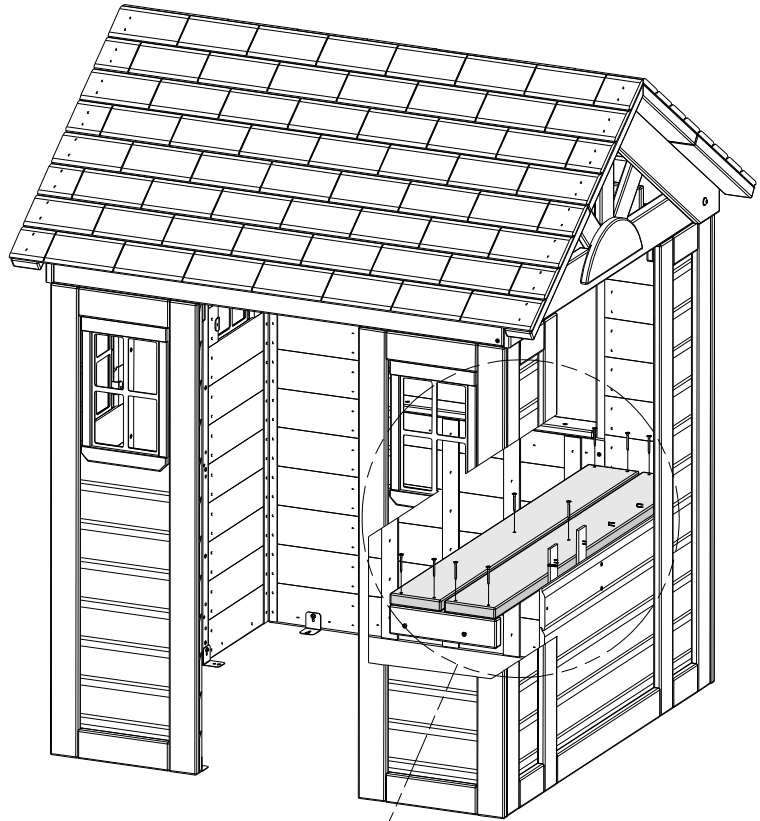
Q1 | COUNTER TOP - W4L17863
(x2) | 1"x4 3/8"x36 3/4" (24x112x934)

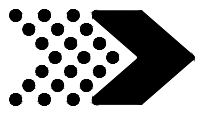


H100200 | SCREW PFH BLK
(x10) | 8x1 1/2



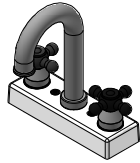
9/32 in
[7 mm]





PLAYHOUSE ASSEMBLY

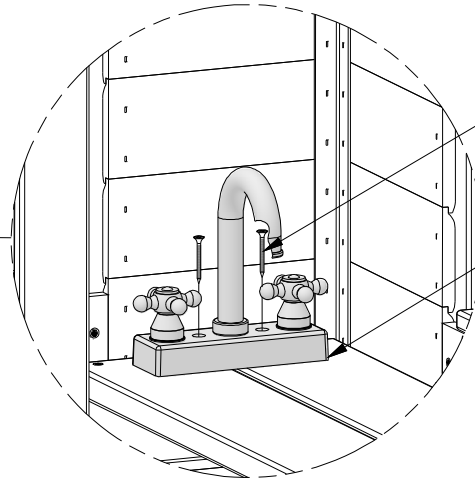
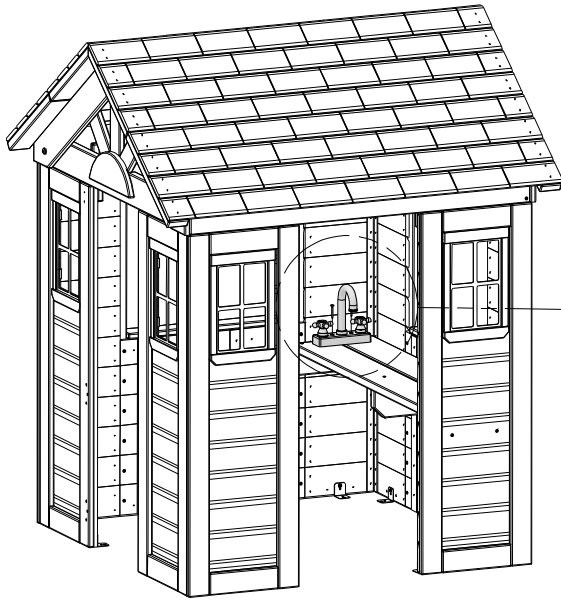
STEP 16



A6P00024 | FAUCET KIT
(x1)

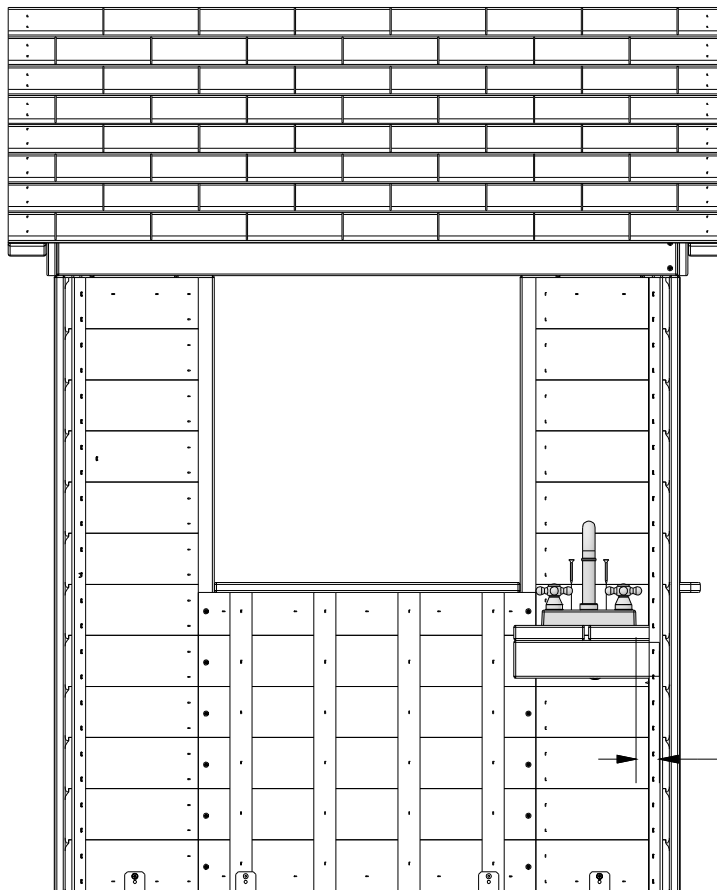


H100200 | SCREW PFH BLK
(x2) | 8x1 1/2

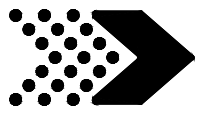


200 (x2)
SCREW - 1 1/2"

024 (x1)
FAUCET KIT

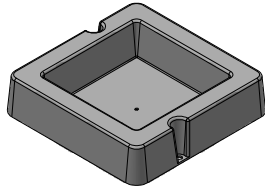


1 1/2 in
[37 mm]
(FAUCET LOCATION)



PLAYHOUSE ASSEMBLY

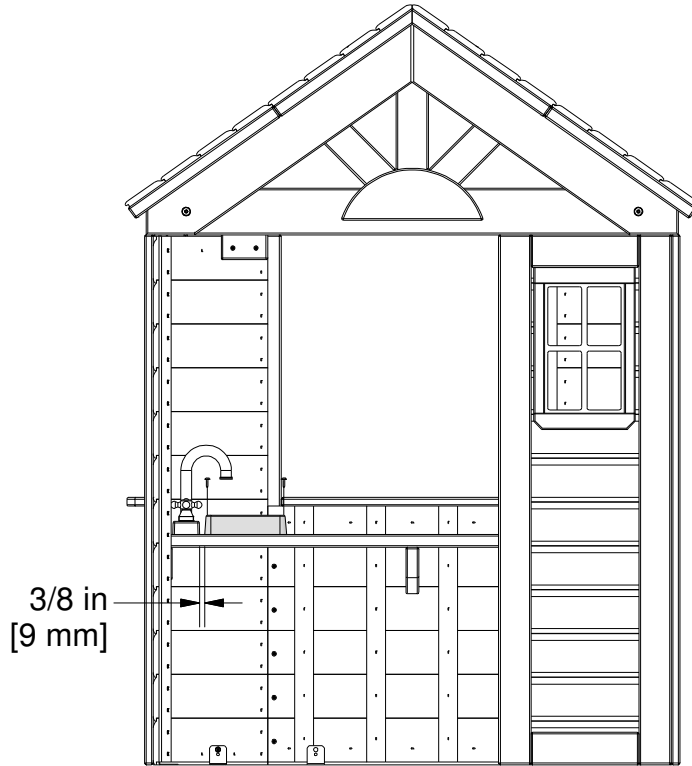
STEP 17



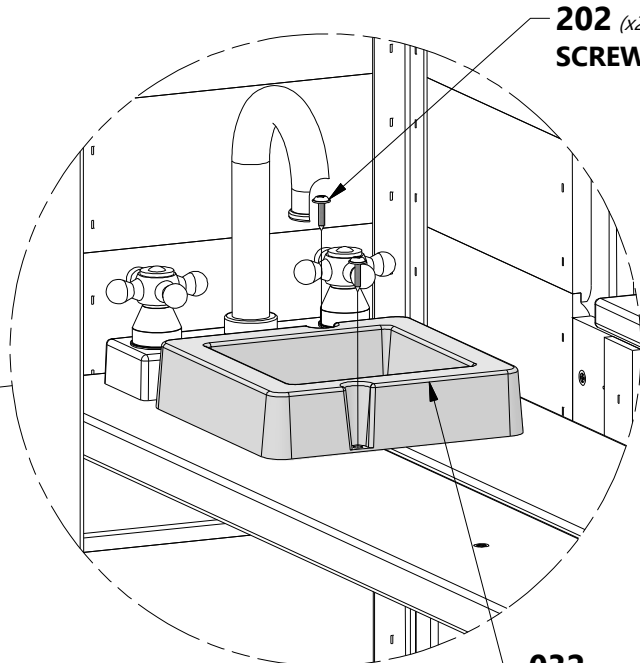
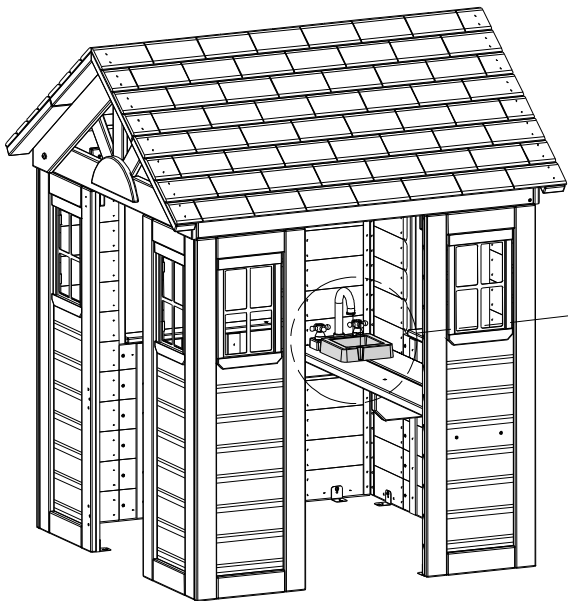
A6P00032 | SURFACE MOUNT BASIN
(x1)



H100202 | SCREW PWH BLK
(x2) | 8x5/8

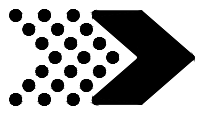


3/8 in
[9 mm]



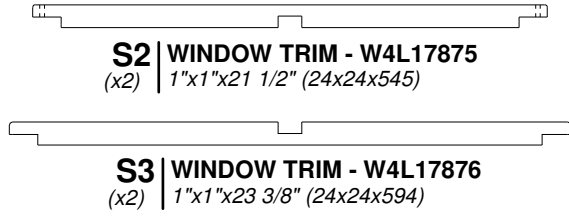
202 (x2)
SCREW - 5/8"

032 (x1)
SURFACE MOUNT BASIN

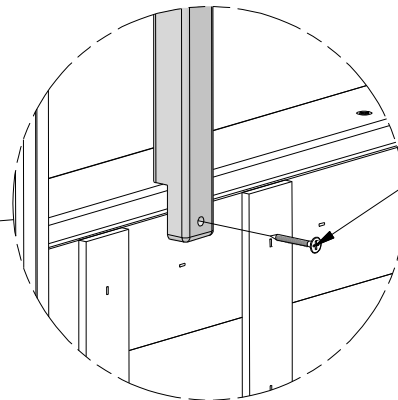
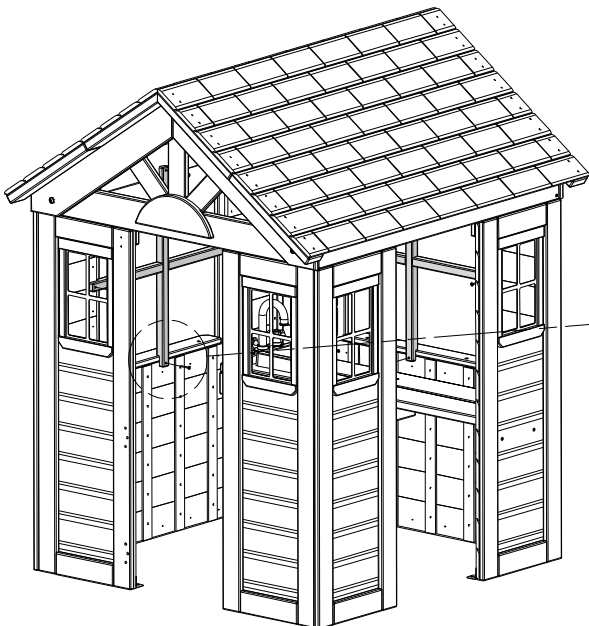
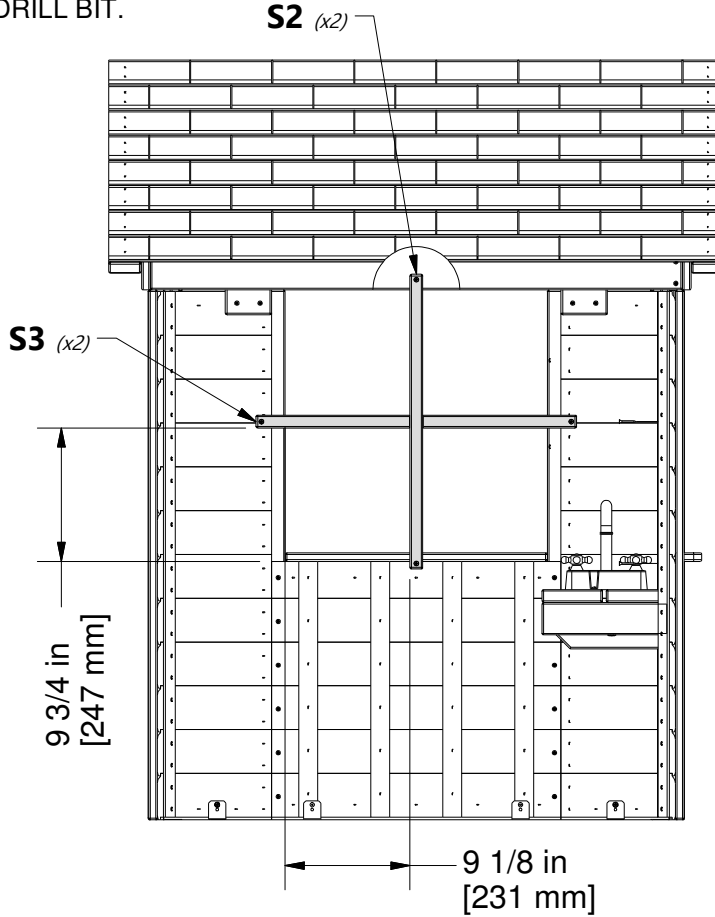


PLAYHOUSE ASSEMBLY

STEP 18



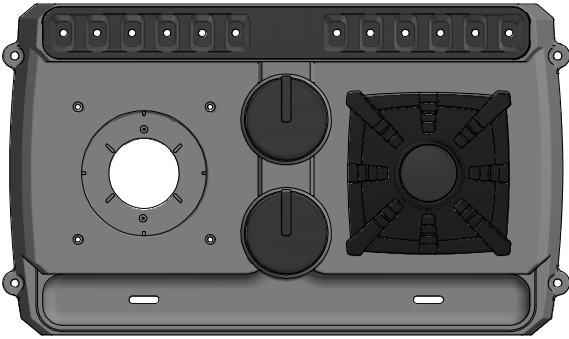
DRILL PILOT HOLES FOR HARDWARE
USING A 1/8" (3mm) DRILL BIT.



387 (x8)
SCREW - 1 1/4"



STOVE ASSEMBLY



A6P00335
(x1) | **STOVE BASE**



A6P00330
(x1) | **INDUCTIVE BURNER KIT**

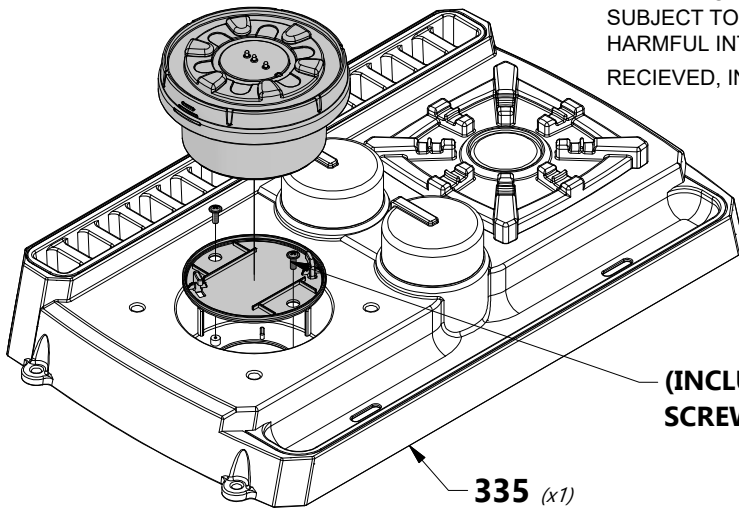
NOTE:

FCC LABEL

- DO NOT MIX OLD AND NEW BATTERIES.
- DO NOT MIX ALKALINE, STANDARD (CARBON-ZINC), OR RECHARGEABLE (NI-CAD, NI-MH, ETC.) BATTERIES.
- NON-RECHARGEABLE BATTERIES ARE NOT TO BE RECHARGED.
- ONLY BATTERIES OF THE SAME OR EQUIVALENT TYPE AS RECOMMENDED ARE TO BE USED.
- BATTERIES ARE TO BE INSERTED WITH THE CORRECT POLARITY.
- EXHAUSTED BATTERIES ARE TO BE REMOVED FROM THE TOY OR IF THE TOY IS TO BE LEFT UNUSED FOR A LONG TIME.
- THE SUPPLY TERMINALS ARE NOT TO BE SHORT-CIRCUITED.
- RECHARGEABLE BATTERIES ARE TO BE REMOVED FROM THE TOY BEFORE BEING CHARGED.
- RECHARGEABLE BATTERIES ARE ONLY TO BE CHARGED UNDER ADULT SUPERVISION.

"AA" BATTERY (x3)
(Not Included)

330 (x1)
INDUCTIVE BURNER KIT

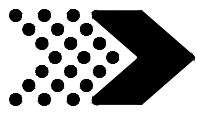


NOTE:
THIS DEVICE COMPLIES WITH PART 15 OF THE FCC RULES. OPERATION IS SUBJECT TO THE FOLLOWING TWO CONDITIONS: (1) THIS DEVICE MAY NOT CAUSE HARMFUL INTERFERENCE, (2) THIS DEVICE MUST ACCEPT ANY INTERFERENCE RECEIVED, INCLUDING INTERFERENCE THAT MAY CAUSE UNDESIRABLE OPERATION.

NOTE:
FIRST INSTALL THE COVER REMOVED ABOVE WITH THE INCLUDED HARDWARE. INSTALL THE BURNER BY TWISTING IT CLOCKWISE TO LOCK IT IN PLACE.

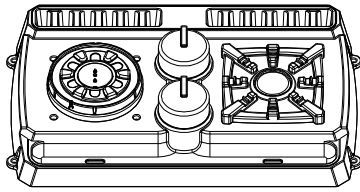
(INCLUDED WITH KIT) (x2)
SCREW PWH 4x5/16

335 (x1)
STOVE BASE



PLAYHOUSE ASSEMBLY

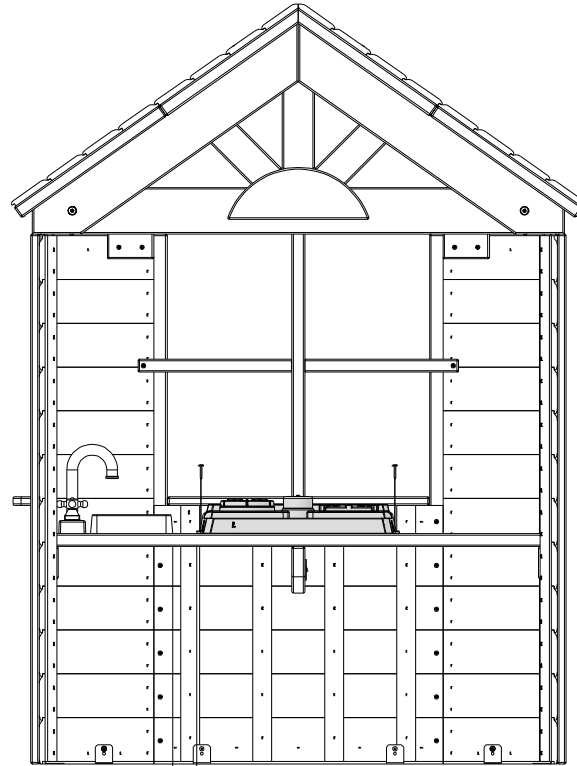
STEP 19



A6P00335 | STOVE BASE
(x1)

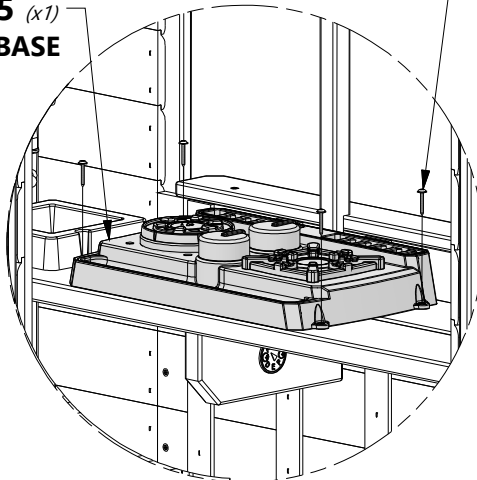


H100797 | SCREW PWH BLK
(x4) 8x1

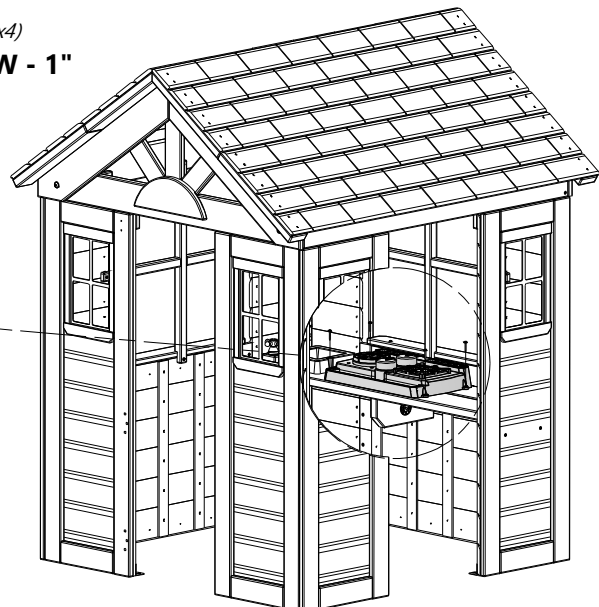


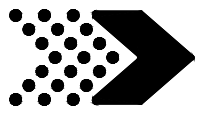
1 3/4 in
[45 mm]

335 (x1)
STOVE BASE



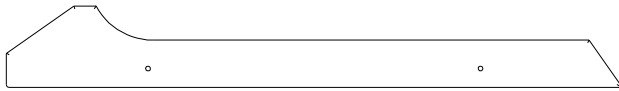
797 (x4)
SCREW - 1"





PLAYHOUSE ASSEMBLY

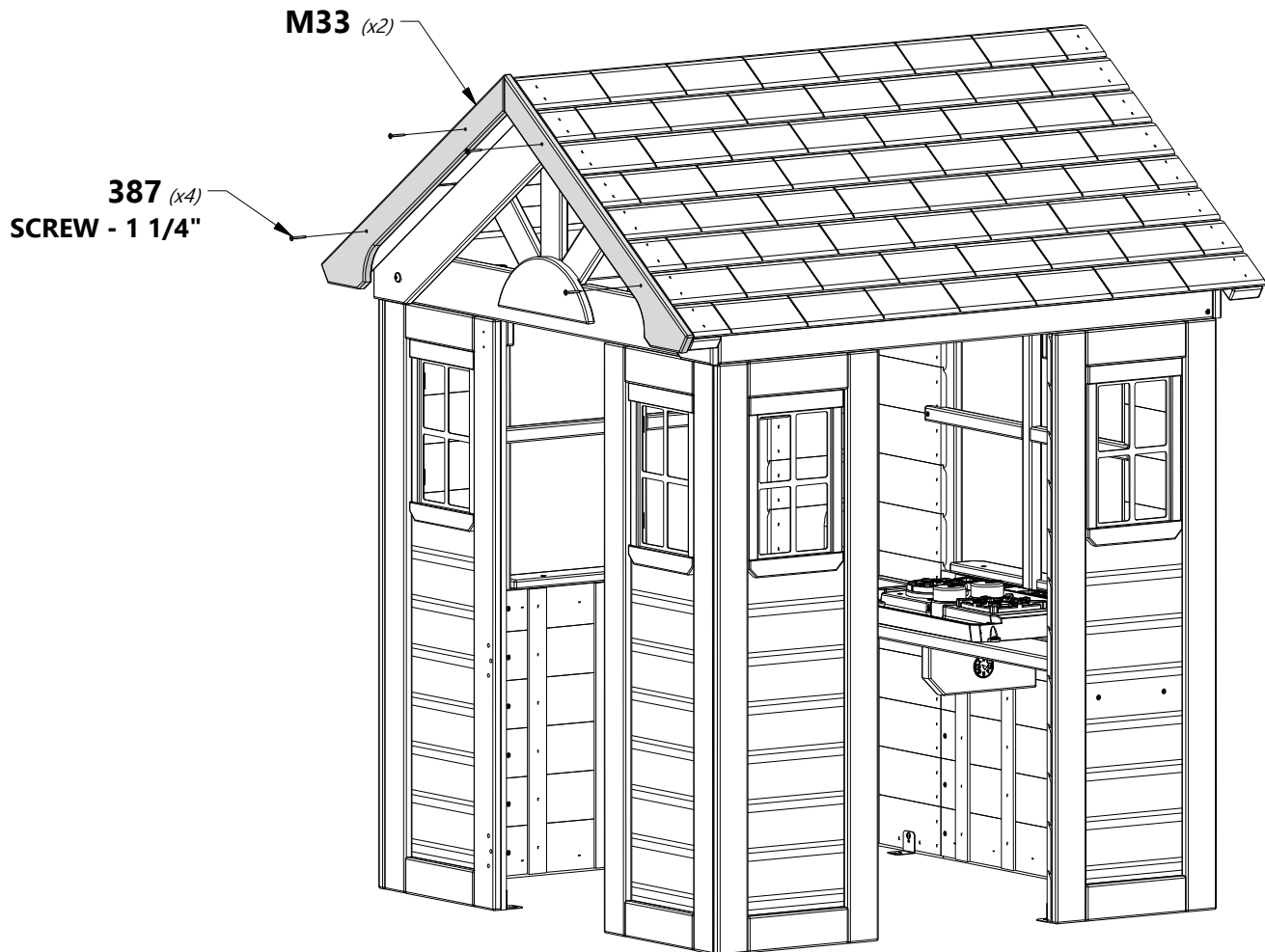
STEP 20

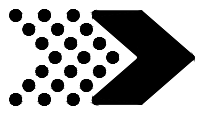


M33 | FASCIA BOARD - W4L17867
(x2) | 5/8"x3 3/8"x25 5/8" (16x86x652)



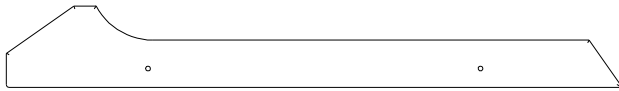
H100387 | SCREW PFH BLK
(x4) | 8x1 1/4





PLAYHOUSE ASSEMBLY

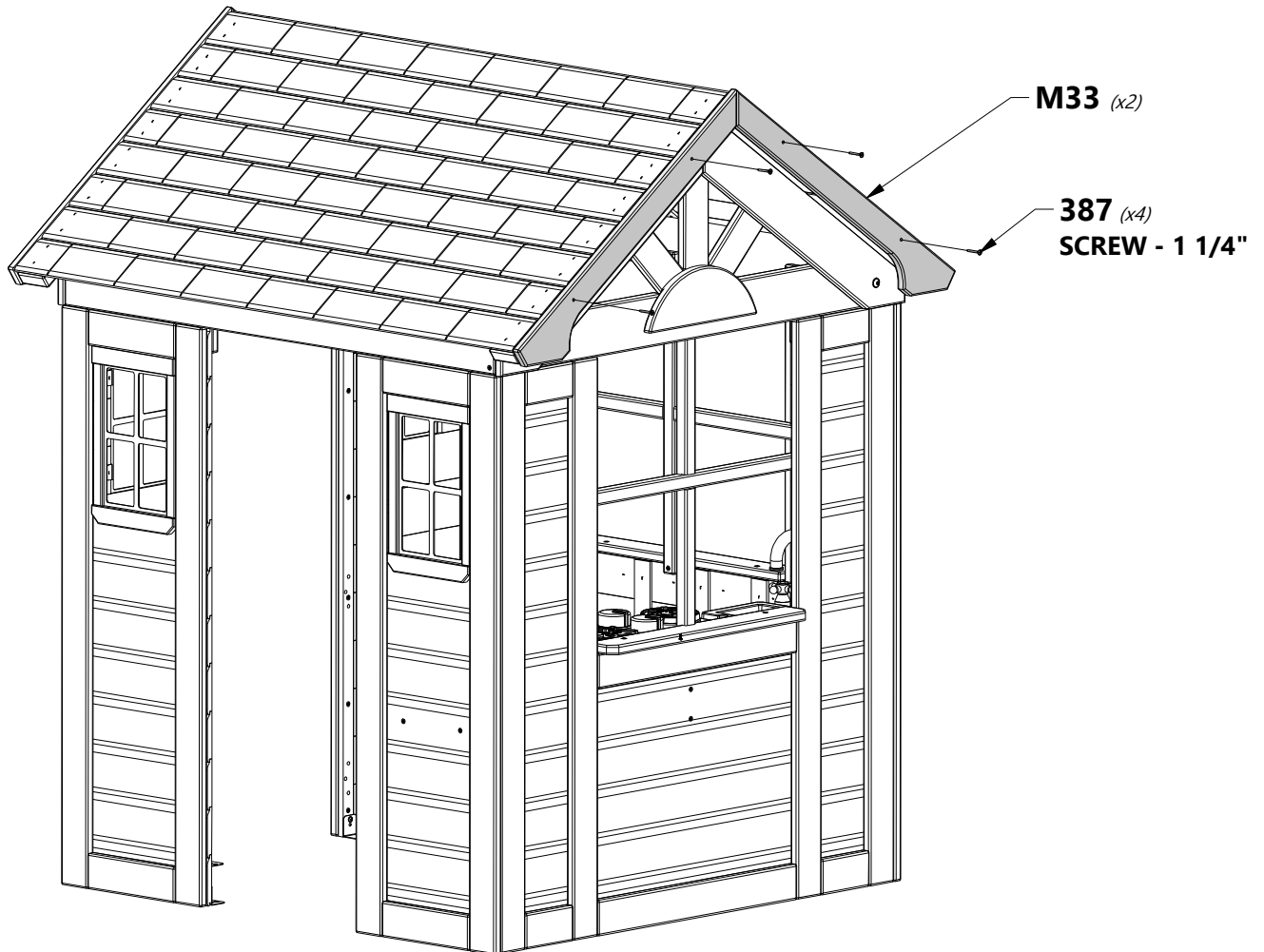
STEP 21

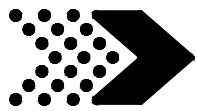


M33 | FASCIA BOARD - W4L17867
(x2) | 5/8"x3 3/8"x25 5/8" (16x86x652)



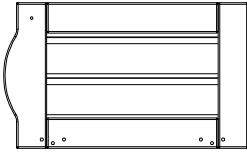
H100387 | SCREW PFH BLK
(x4) | 8x1 1/4





PLAYHOUSE ASSEMBLY

STEP 22



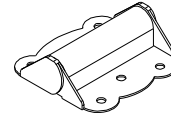
DP1 | DOOR PANEL - W2A03865
(x1) | 1 1/8"x19 1/8"x11 3/8" (27x486x288)



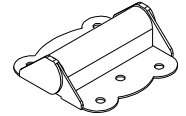
A6P00067 | KNOB - BLK
(x1)



A4M00933 | DOOR STOP
(x1)



A4M00994 | HINGE (DOOR,
NON-SPRING
LOADED)
(x1)



A4M00624 | HINGE (DOOR,
SPRING
LOADED)
(x1)



H100395 | SCREW PFH BLK
(x2) | 8x3/4



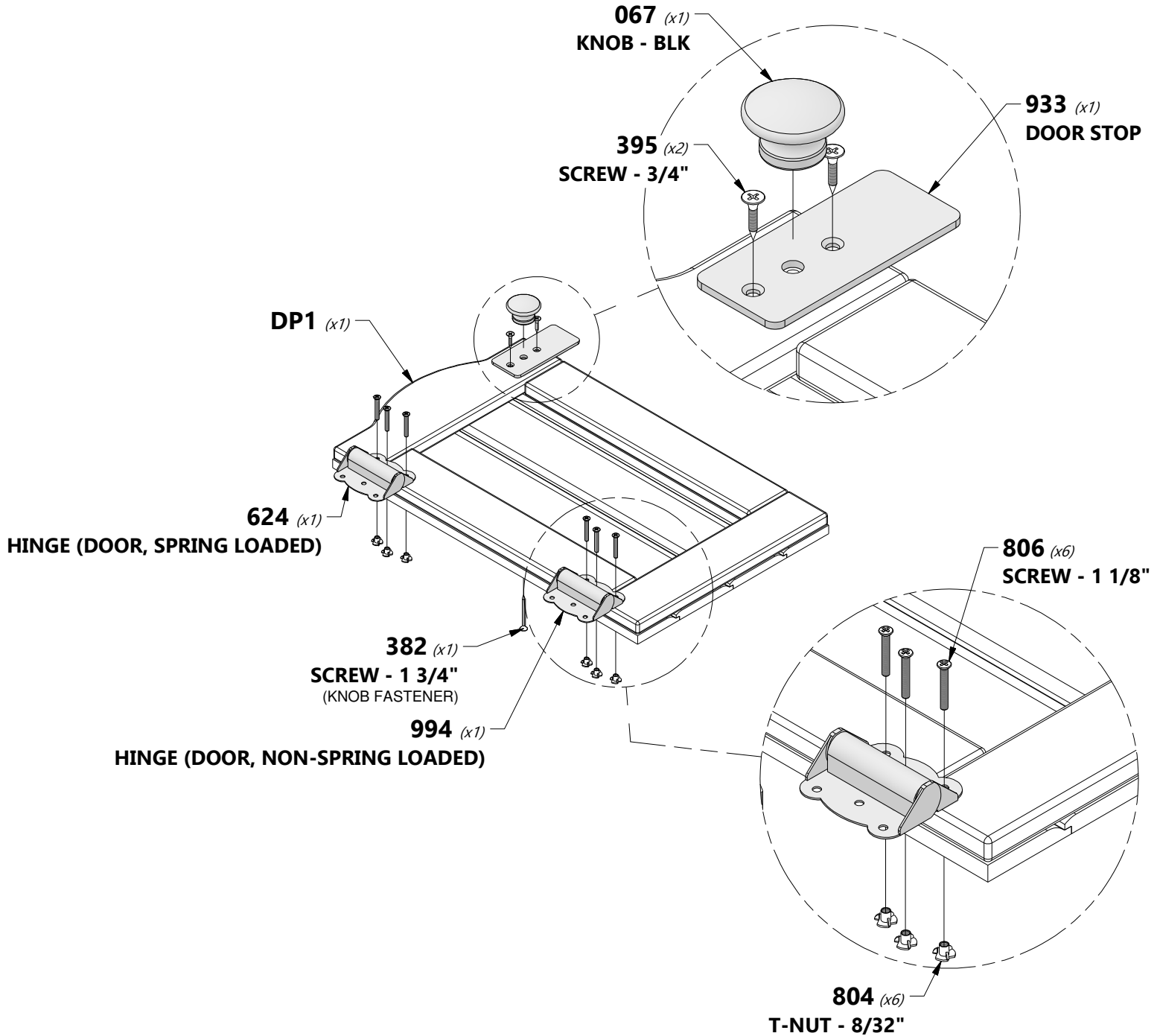
H100382 | SCREW PFH BLK
(x1) | 8x1 3/4

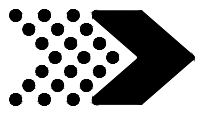


H100806 | SCREW POH BLK
(x6) | 8/32x1 1/8



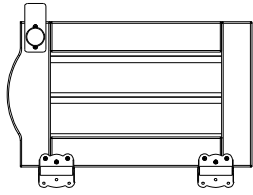
H100804 | T-NUT
(x6) | 8/32





PLAYHOUSE ASSEMBLY

STEP 23



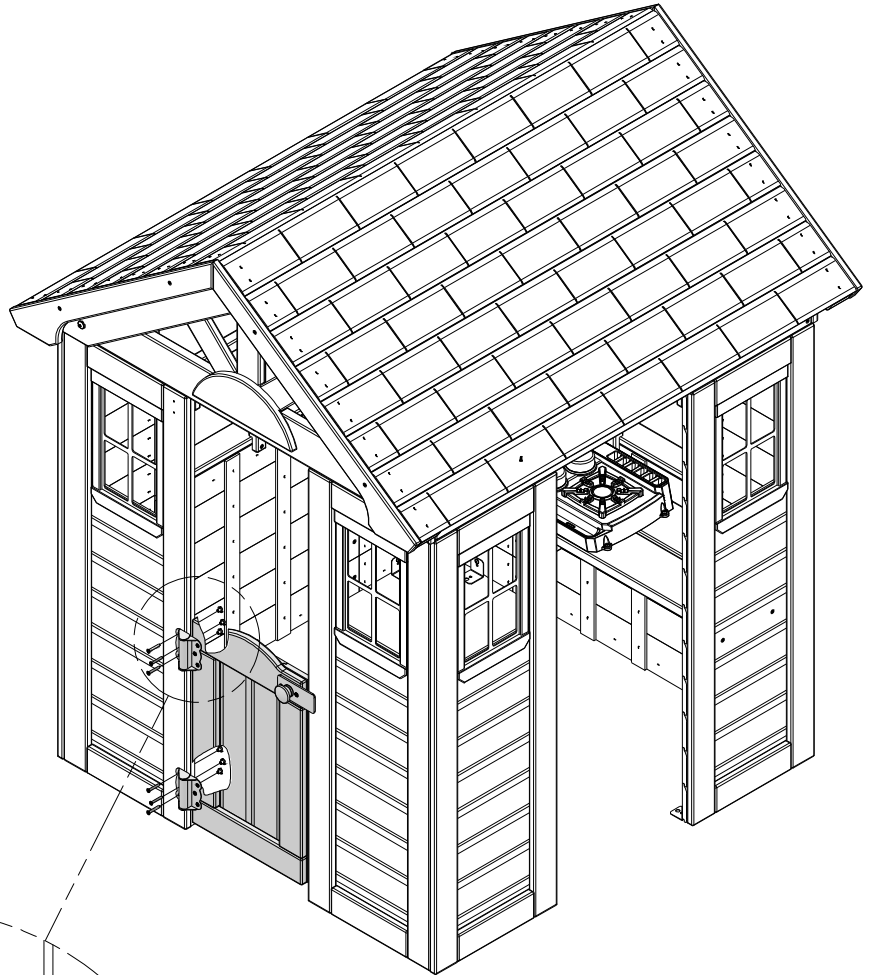
(x1) | DOOR SUBASSEMBLY



H100806 | SCREW POH BLK
(x6) | 8/32x1 1/8

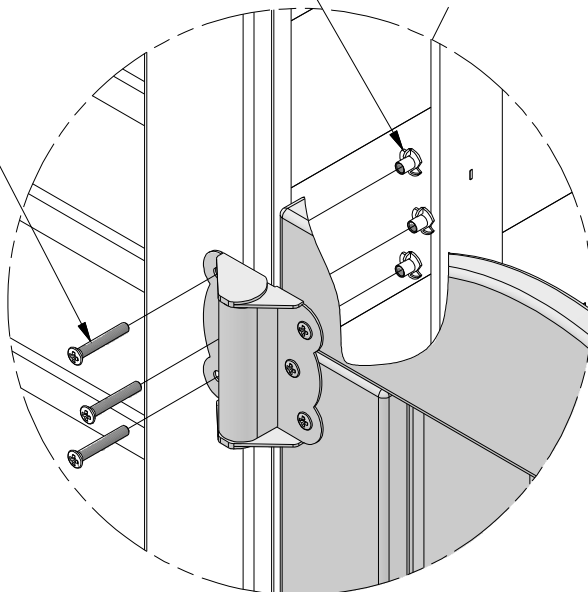


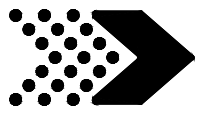
H100804 | T-NUT
(x6) | 8/32



804 (x6)
T-NUT - 8/32"

806 (x6)
SCREW - 1 1/8"





PLAYHOUSE ASSEMBLY

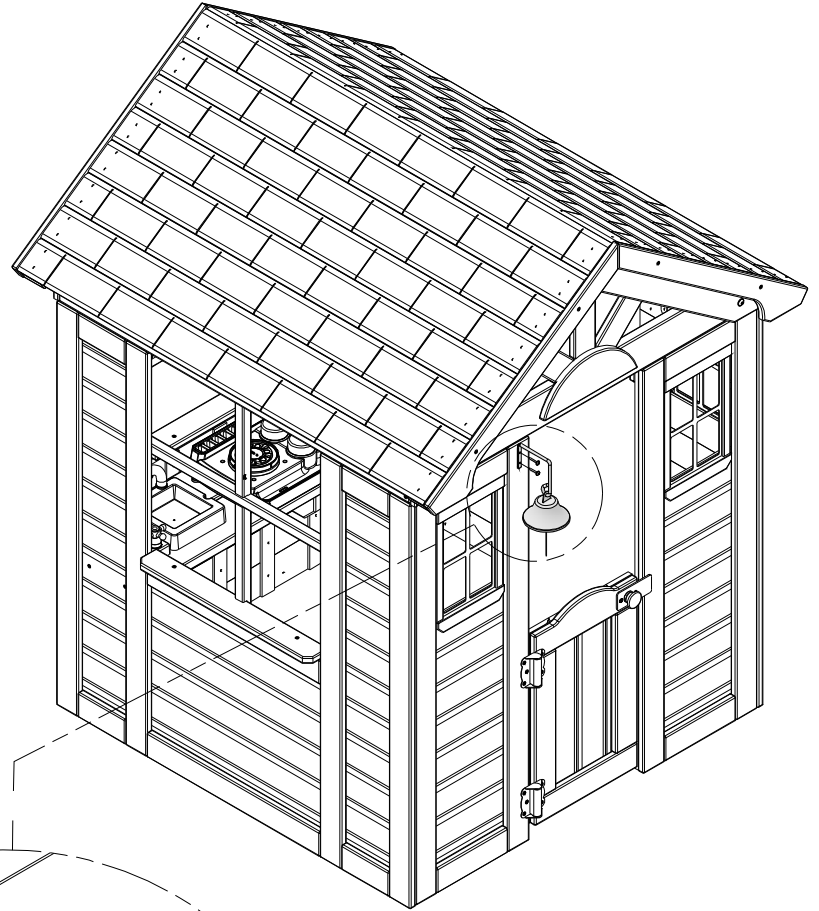
STEP 24



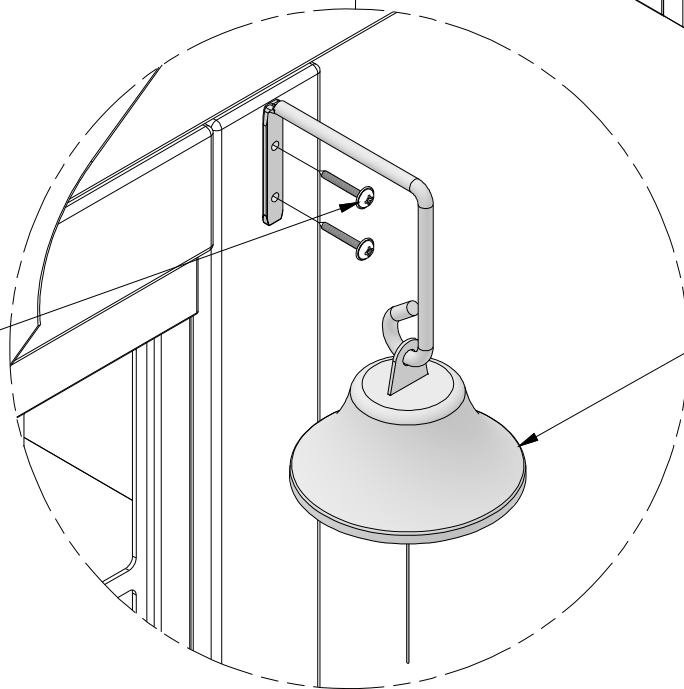
A4M01045 | BELL ASSEMBLY
(x1)



H100797 | SCREW PWH BLK
(x2) 8x1



797 (x2)
SCREW - 1"

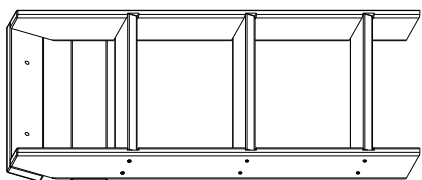


045 (x1)
BELL ASSEMBLY



FINAL ASSEMBLY

STEP 1



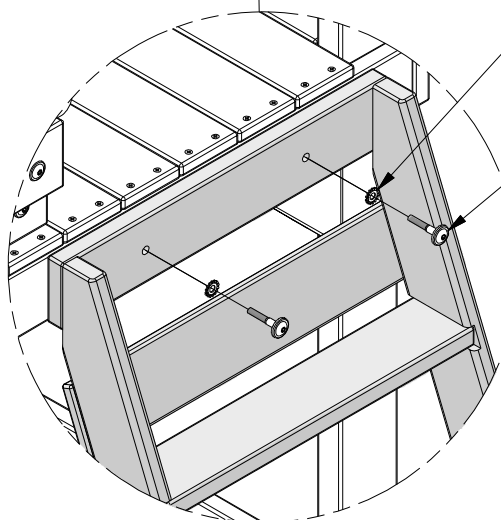
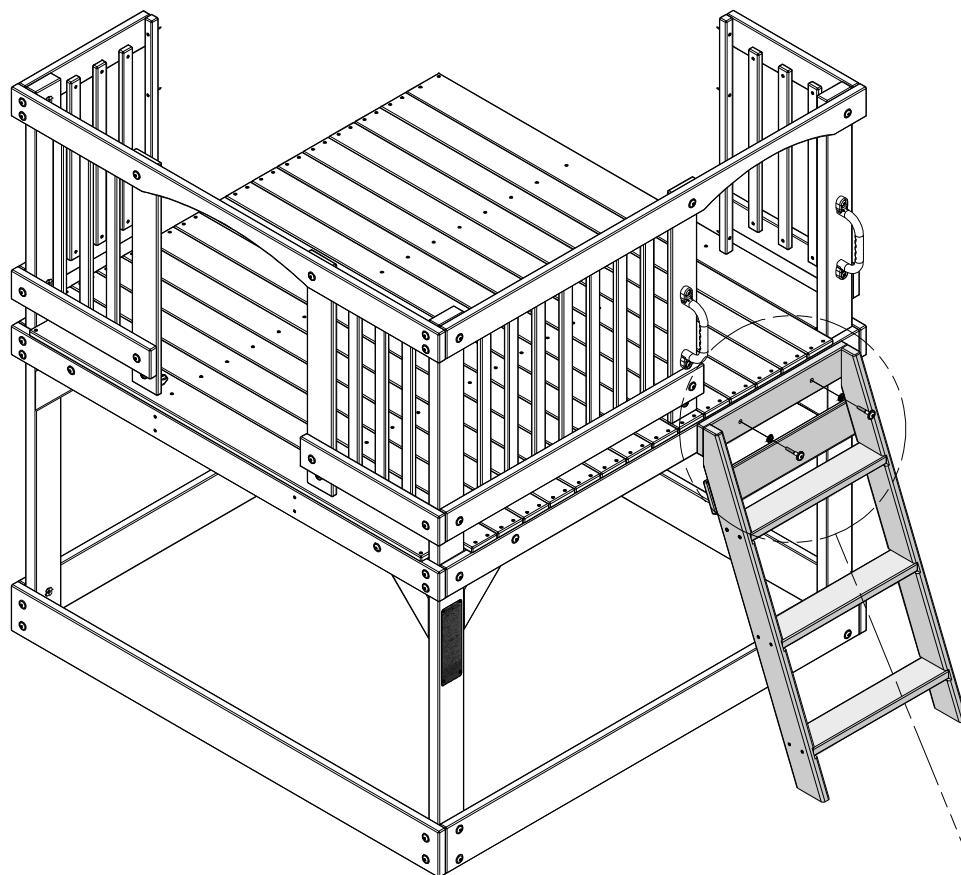
(x1) LADDER SUBASSEMBLY



H100378 BOLT WH BLK
(x2) 5/16x1 3/4

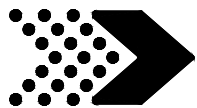


H100198 WASHER LOCK EXT BLK
(x2) 8x19



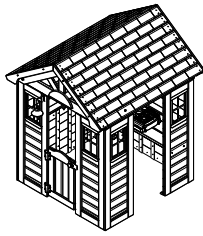
198 (x2)
WASHER - 8x19

378 (x2)
BOLT - 1 3/4"



FINAL ASSEMBLY

STEP 2



(x1)

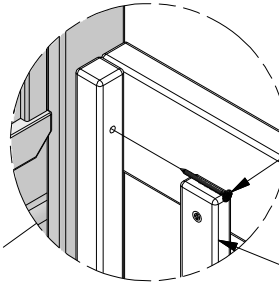
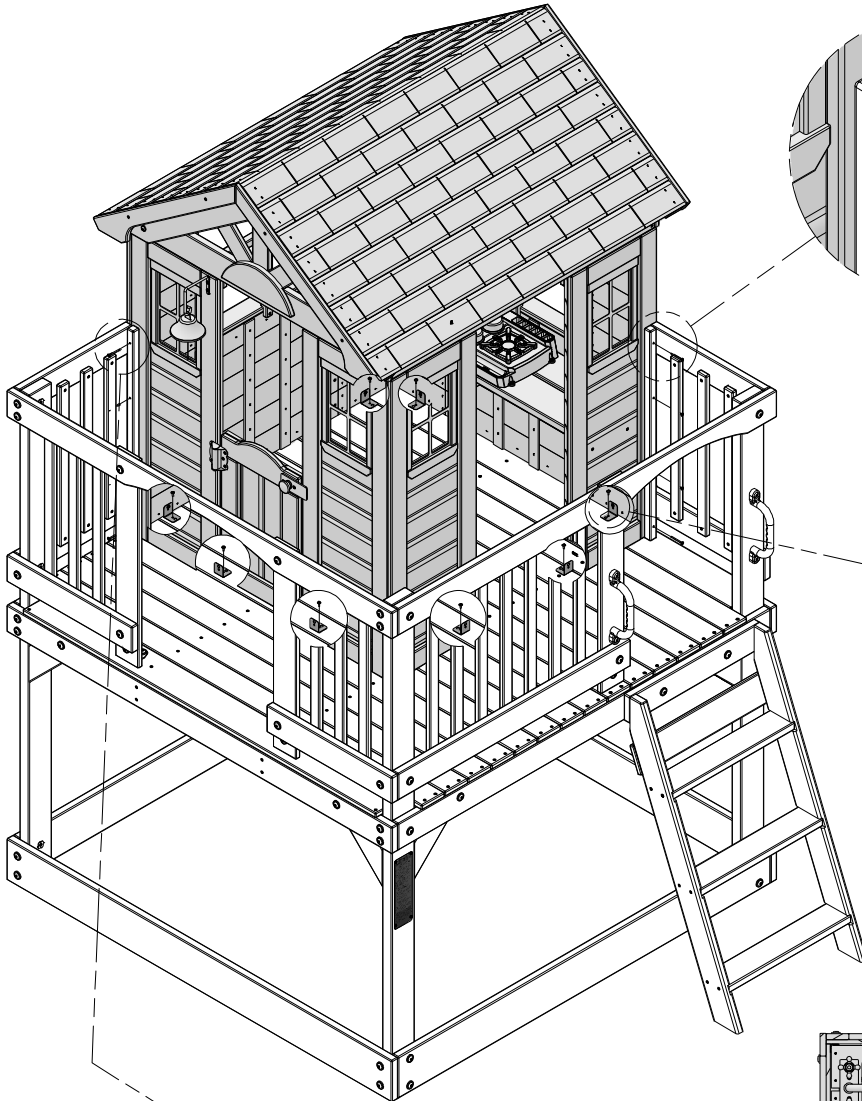
PLAYHOUSE SUBASSEMBLY



H100382 | SCREW PFH BLK
(x8) | 8x1 3/4



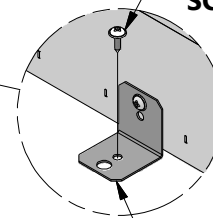
H100408 | SCREW PWH BLK
(x8) | 8x1/2



382 (x4)
SCREW - 1 3/4"



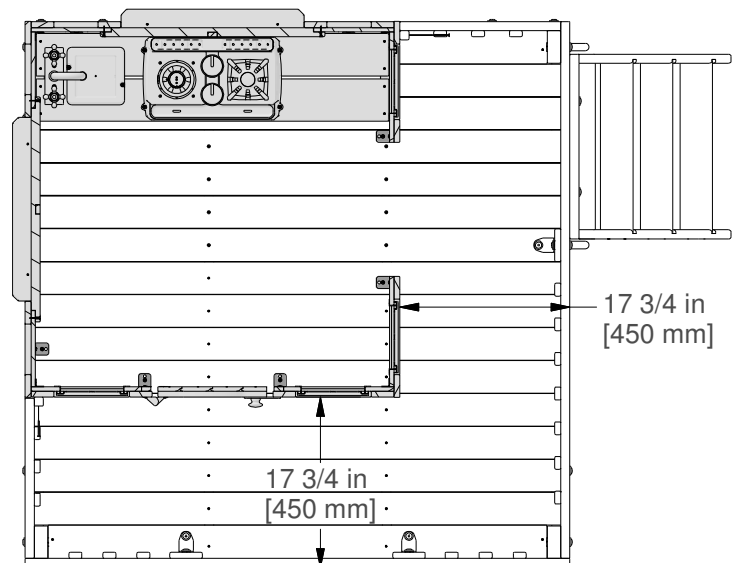
PICKET MAY NEED TO BE TEMPORARILY REMOVED TO ASSEMBLE THE HOUSE TO THE DECK.



408 (x8)
SCREW - 1/2"

555
90° L-BRACKET - BLK
(ASSEMBLED PREVIOUSLY)

TOP VIEW



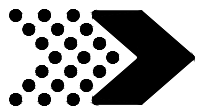
17 3/4 in
[450 mm]

17 3/4 in
[450 mm]

382 (x4)
SCREW - 1 3/4"



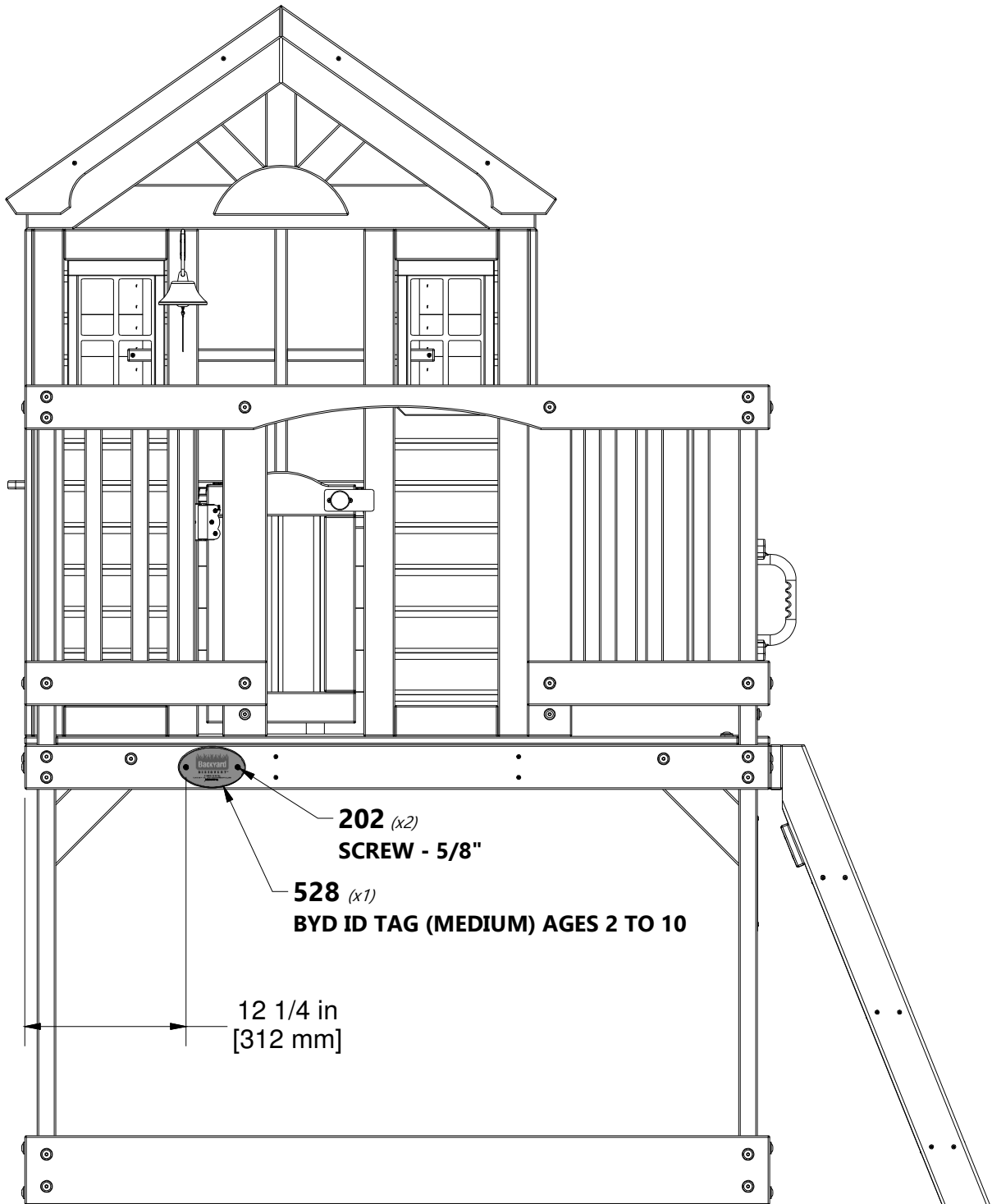
PICKET MAY NEED TO BE TEMPORARILY REMOVED TO ASSEMBLE THE HOUSE TO THE DECK.

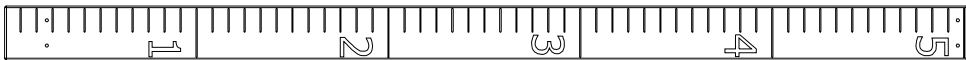


A4M00528 | **BYD ID TAG (MEDIUM) AGES 2 TO 10**
(x1)



H100202 | **SCREW PWH BLK**
(x2) 8x5/8

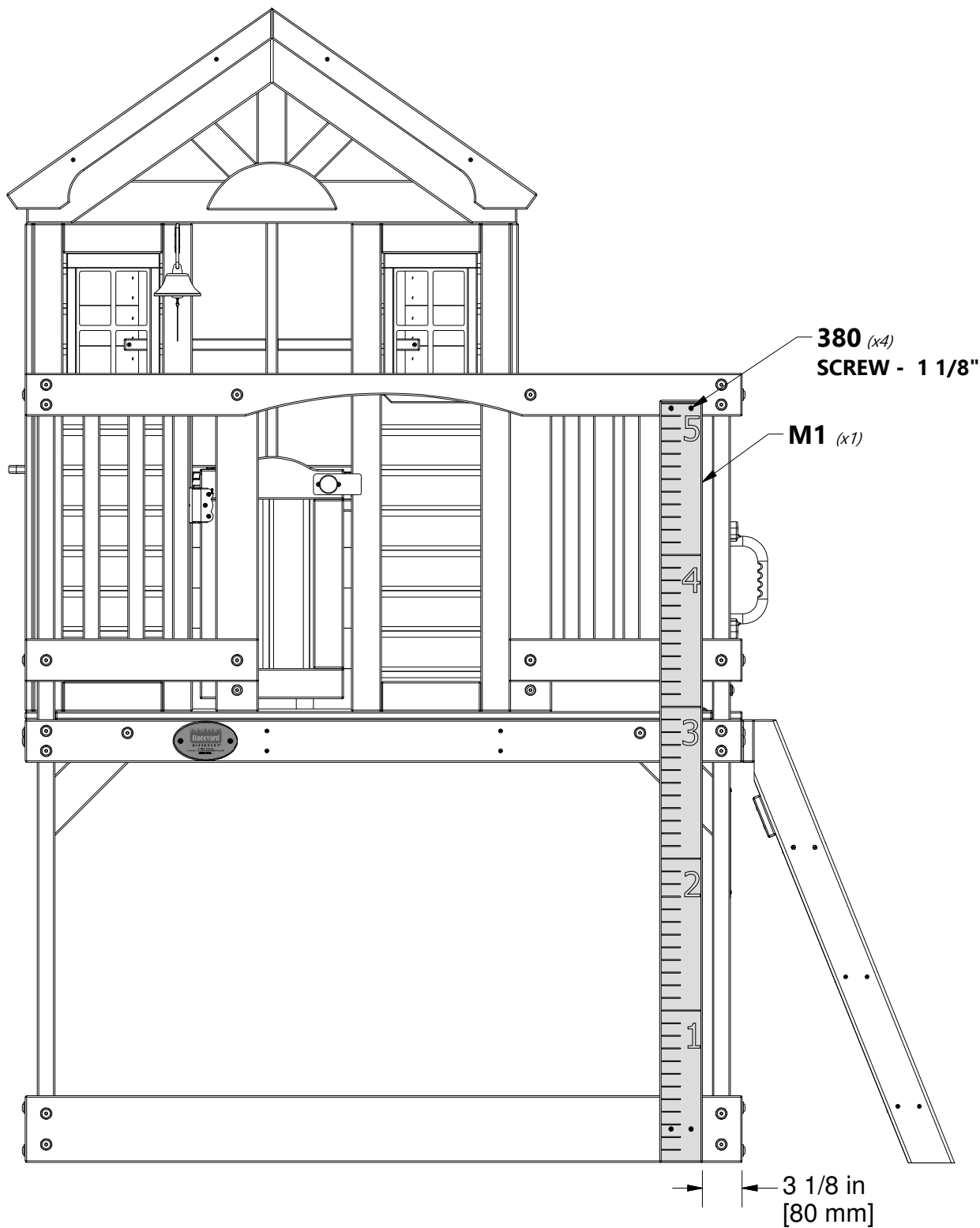


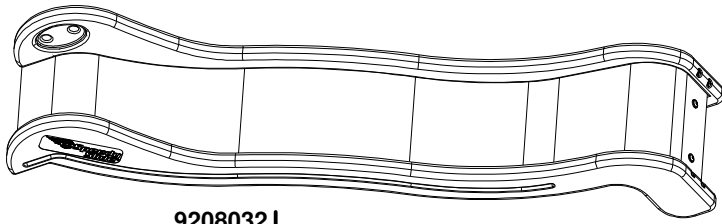
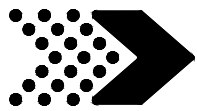


M1 | GROWTH BOARD - W4L17864
(x1) | 5/8"x3 3/8"x60 1/4" (16x86x1530)



H100380 | SCREW PFH BLK
(x4) | 8x1 1/8





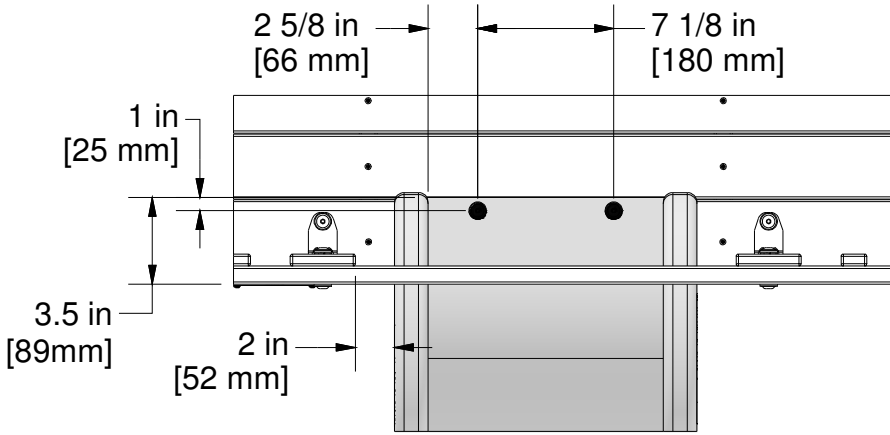
9208032 | 6 FT SPEEDY SLIDE
(x1)



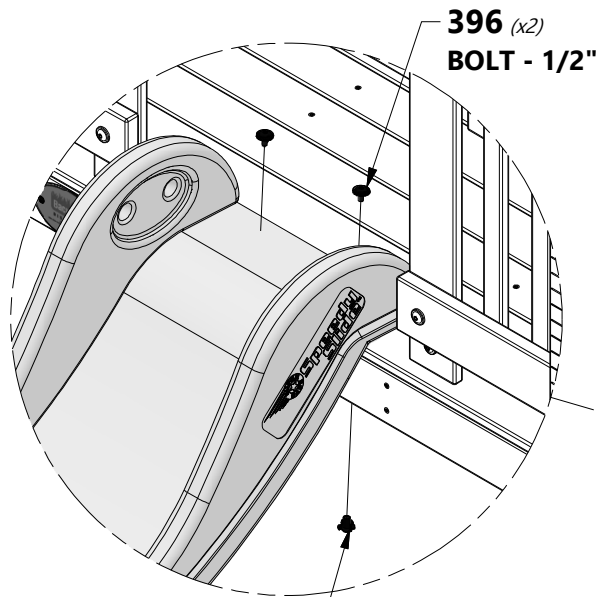
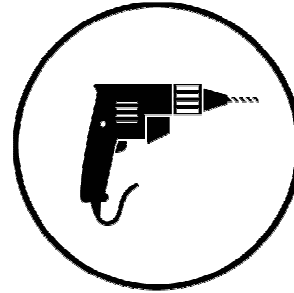
H100396 | BOLT WH BLK
(x2) | 5/16x1/2



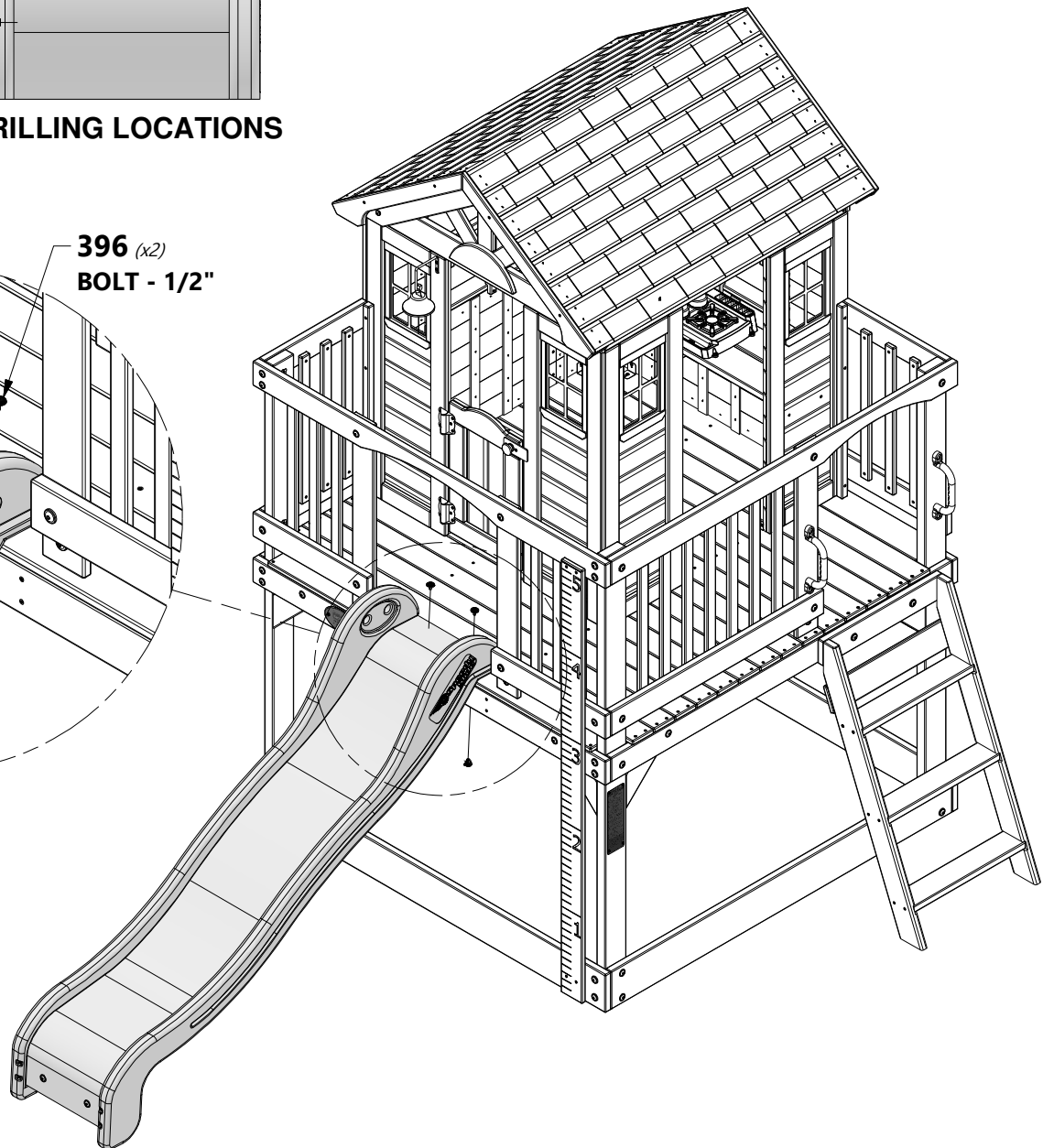
H100379 | T-NUT BLK
(x2) | 5/16

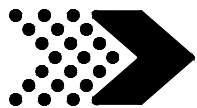


DRILLING LOCATIONS



379 (x2)
T-NUT - 5/16"





FINAL ASSEMBLY

STEP 6



A100178 | AUGER GROUND STAKE
(x4)



H100468 | BOLT WH BLK
(x4) 5/16x1



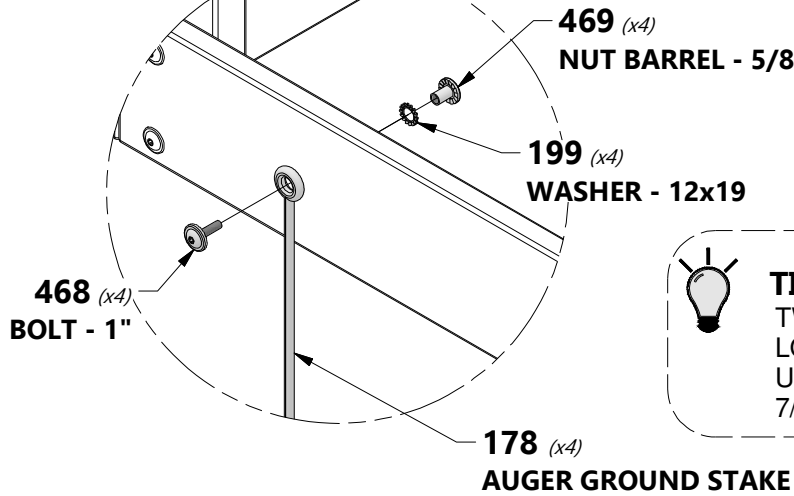
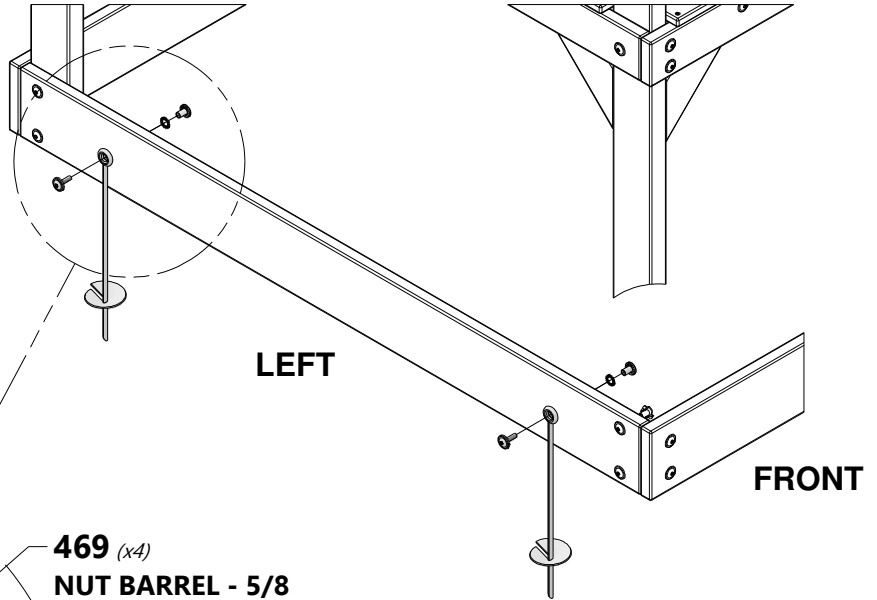
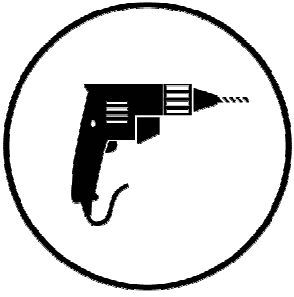
H100199 | WASHER LOCK EXT BLK
(x4) 12x19



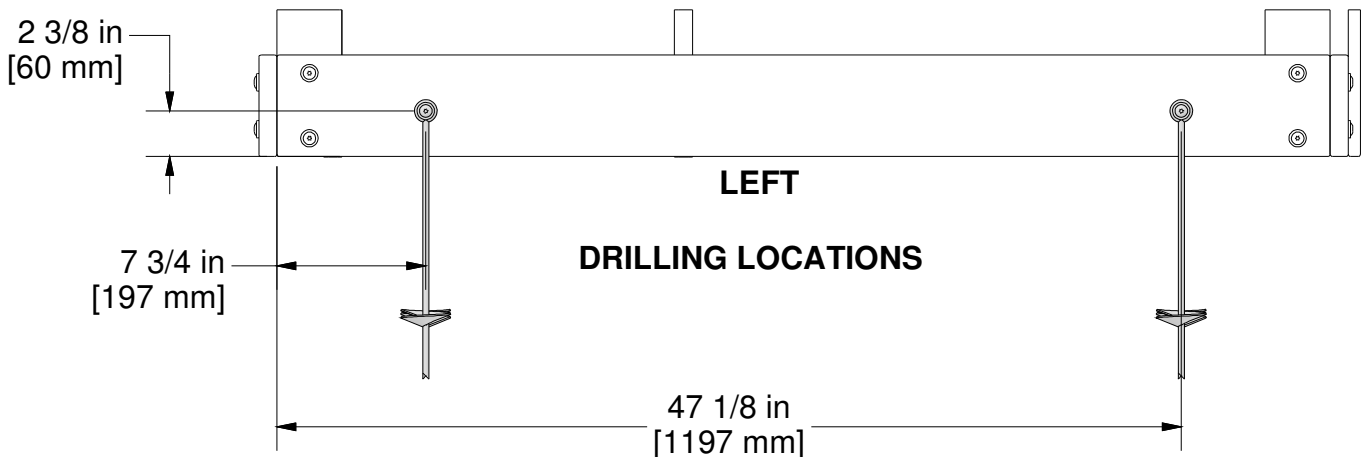
H100469 | NUT BARREL WH BLK
(x4) 5/16x5/8



NOTE:
FAILURE TO USE GROUND
STAKES CAN VOID WARRANTY
& CAUSE INJURY!



TIP:
TWIST GROUND STAKES INTO GROUND IN
LOCATIONS SHOWN.
USING GROUND STAKE AS A GUIDE, DRILL
7/16" HOLE FOR HARDWARE.



PERFORM THE SAME ASSEMBLY PROCESS FOR THE RIGHT SIDE.