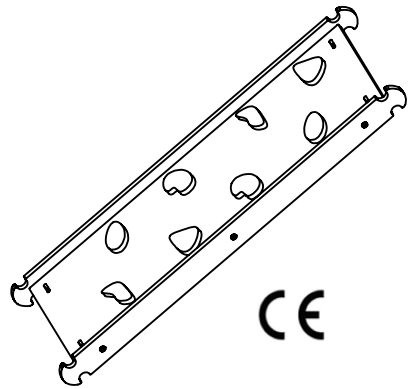




KateHaa Wooden Toys

Learn, Play and Explore

WOODEN ACTIVITY TOY CLIMBING RAMP



INSTRUCTIONS FOR ASSEMBLY,
MAINTENANCE AND SAFE USE.

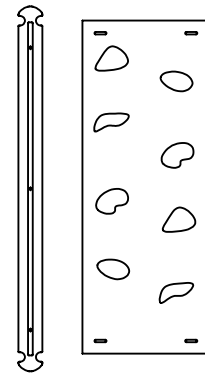
MADE IN LATVIA

KateHaa SIA

Annas st.18, Ikšķile,
Ogre reg., Latvia, LV-5052
Email: info@katehaa.com
www.katehaa.com



The package contains:



(A)

(B)

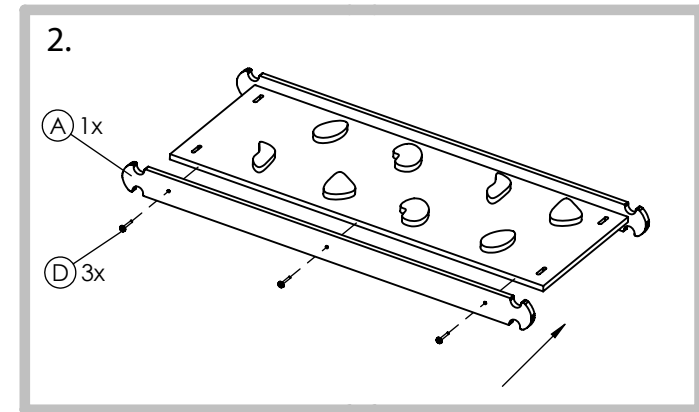


(C)

(D)

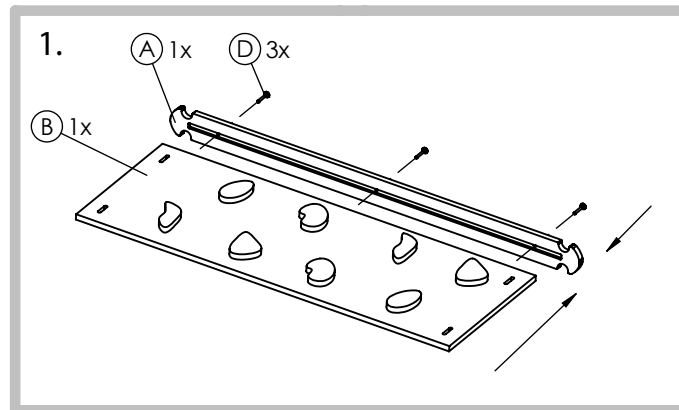
- A - SIDES (x2)
- B - CLIMB / SLIDE (x1)
- C - ALLEN KEY (x1)
- D - FLAT HEAD SCREWS (x6)

**ADULT
ASSEMBLY
REQUIRED**



Note: - Use ALLEN KEY (C) to screw the SCREWS (D) into the predrilled holes.
- For easier assembly we recommend to split the 2th step in steps 2.1. and 2.2.
At first (2.1.) screw in all the SCREWS (D) fill half. Just at the second step (2.2.) tighten them completely.

For assembling please follow these steps:



Thank you!

FOLLOW US ON:

 [katehaa.toys](https://www.facebook.com/katehaa.toys)

 [katehaa.toys](https://www.instagram.com/katehaa.toys)

*KateHaa SIA protects it's unique designs worldwide
with patents and design registrations.*

